

Features

- System Board for Yokogawa ProSafe-RS
- For 16-channel AI card SAI143
- For 16 modules
- Recommended module: HiC2025 (AI)
- 24 V DC supply
- Hazardous area: spring terminals, blue
- Safe area: Yokogawa system connector, 40-pin

Function

The function of the Termination Board as well as the connector pin assignment exactly fit the requirement of Yokogawa systems.

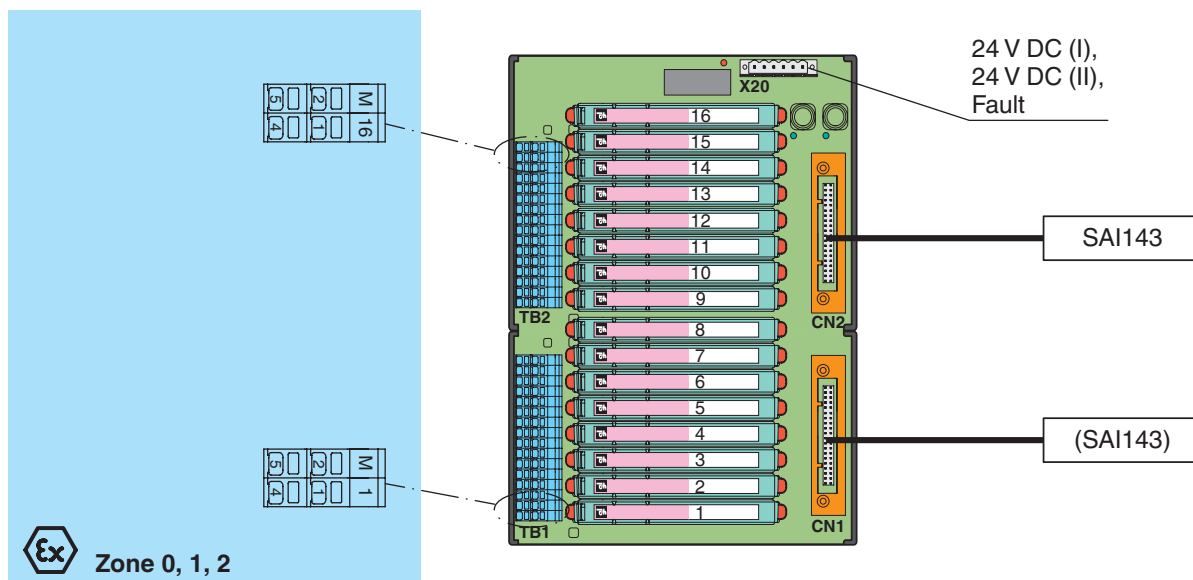
Information about missing supply voltage of the interface modules is available for the system as potential-free contact.

The Termination Boards are supplied with a robust glass fiber reinforced plastic housing as standard. This design permits the fast and reliable installation on 35 mm DIN mounting rail acc. to EN 60715 in the cabinet.

Assembly



Connection



Release date 2016-05-19 10:31 Date of issue 2016-05-19 236186_eng.xml

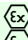
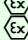

Refer to "General Notes Relating to Pepperl+Fuchs Product Information".

Pepperl+Fuchs Group
www.pepperl-fuchs.com

USA: +1 330 486 0002
pa-info@us.pepperl-fuchs.com

Germany: +49 621 776 2222
pa-info@de.pepperl-fuchs.com

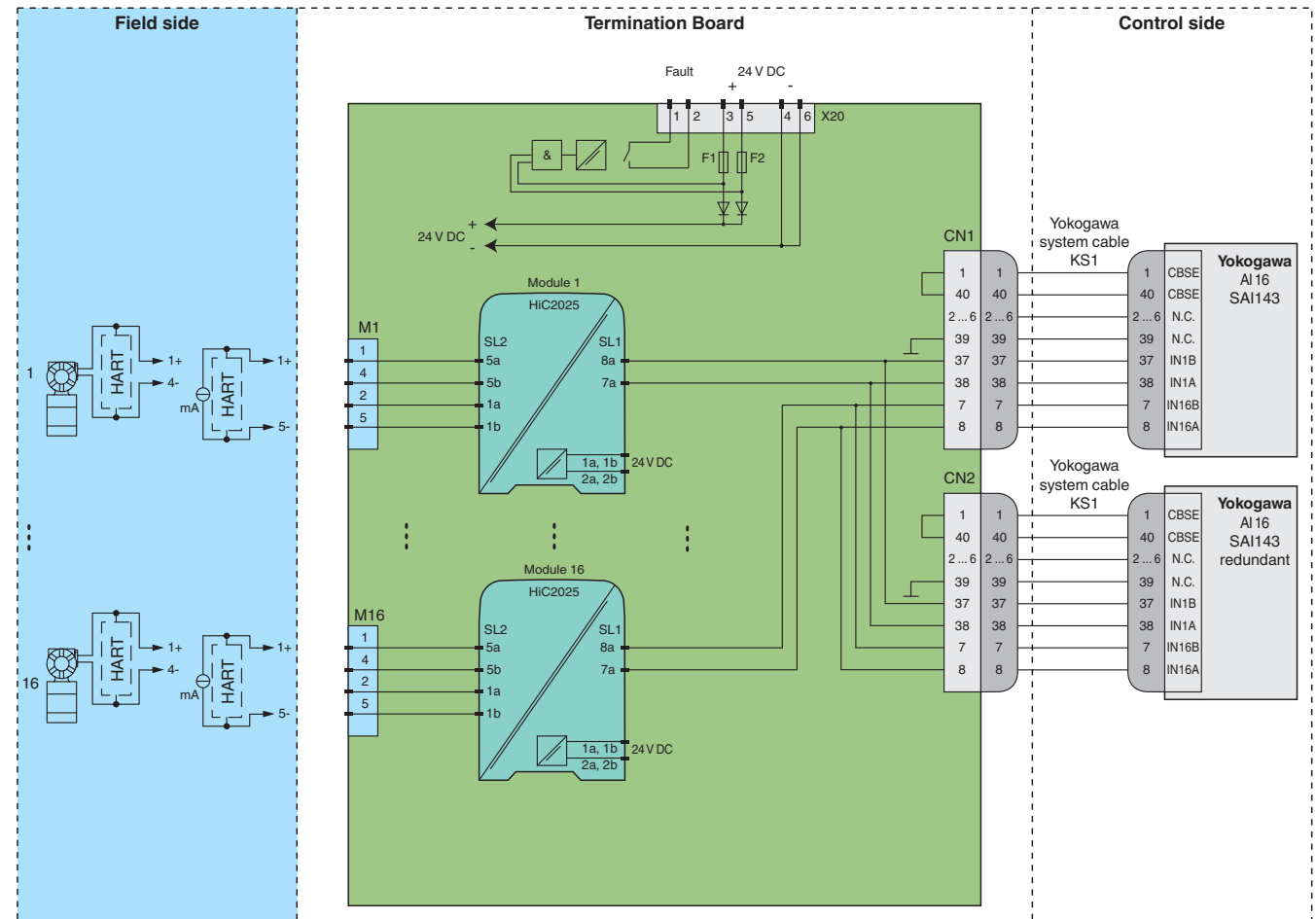
Singapore: +65 6779 9091
pa-info@sg.pepperl-fuchs.com

Supply		
Rated voltage	U_n	24 V DC , in consideration of rated voltage of used isolated barriers
Voltage drop		0.9 V , voltage drop across the series diode on the termination board must be considered
Ripple		≤ 10 %
Fusing		4 A , in each case for 16 modules
Power dissipation		≤ 500 mW , without modules
Reverse polarity protection		yes
Electrical specifications		
volt-free fault indication output		max. 30 V AC/40 V DC, 2 A
Redundancy		
Supply		Redundancy available. The supply for the modules is decoupled, monitored and fused.
Indicators/settings		
Display elements		LEDs PWR ON (Termination Board power supply) - LED power supply I, green LED - LED power supply II, green LED LED FAULT (fault indication), red LED - LED flashes: power supply failure
Directive conformity		
Electromagnetic compatibility		
Directive 2014/30/EU		EN 61326-1:2013 (industrial locations)
Conformity		
Electromagnetic compatibility		NE 21:2011 For further information see system description.
Degree of protection		IEC 60529:2001
Ambient conditions		
Ambient temperature		-20 ... 60 °C (-4 ... 140 °F)
Storage temperature		-40 ... 70 °C (-40 ... 158 °F)
Mechanical specifications		
Degree of protection		IP20
Connection		hazardous area connection (field side): spring terminals, blue safe area connection (control side): Yokogawa system connector, 40-pin
Core cross-section		spring terminals: rigid: 0.2 ... 2.5 mm ² flexible: 0.25 ... 1.5 mm ²
Material		housing: polycarbonate, 30 % glass fiber reinforced
Mass		approx. 650 g
Dimensions		240 x 175 x 153 mm (9.45 x 6.9 x 6.02 in)
Mounting		on 35 mm DIN mounting rail acc. to EN 60715:2001
Data for application in connection with Ex-areas		
EC-Type Examination Certificate		CESI 06 ATEX 022
Group, category, type of protection		 II (1)G [Ex ia Ga] IIC  II (1)D [Ex ia Da] IIIC  I (M1) [Ex ia Ma] I
Safe area		
Maximum safe voltage		250 V (Attention! U_m is no rated voltage.)
Electrical isolation		
Field circuit/control circuit		safe electrical isolation acc. to IEC/EN 60079-11, voltage peak value 375 V
Directive conformity		
Directive 2014/34/EU		EN 60079-0:2012+A11:2013 , EN 60079-11:2012 , EN 60079-26:2007 , EN 50303:2000
International approvals		
IECEX approval		IECEX CES 06.0003
Approved for		[Ex ia Ga] IIC [Ex ia Da] IIIC [Ex ia Ma] I
General information		
Supplementary information		EC-Type Examination Certificate, Statement of Conformity, Declaration of Conformity, Attestation of Conformity and instructions have to be observed where applicable. For information see www.pepperl-fuchs.com.
Accessories		
Designation		optional accessories: Label Carrier HiALC-Hi*TB-SET-1**

Release date 2016-05-19 10:31 Date of issue 2016-05-19 236186_eng.xml

Application

Typical loop



Module switch settings

Type (AI)	DIP switch	Position
HiC2025 (source)	S1	OFF
	S2	OFF
	S3	ON
	S4	OFF

Card switch settings

Type (AI)	Function
SAI143 (sink)	4-wire



The pin-out configuration has to be observed. For information see corresponding pin-out table on www.pepperl-fuchs.com.

Release date 2016-05-19 10:31 Date of issue 2016-05-19 236186_eng.xml