

CYLINDRICAL FUSE-HOLDER 10X38 1000V 30A 2-POLE FOR PHOTOVOLTAIC-APPLICATION



Figure similar

| Model | | |
|--|----|---------|
| product brand name | | SENTRON |
| General technical data | | |
| Number of poles | | 2 |
| Mechanical Design | | |
| Height | mm | 85 |
| Width | mm | 36 |
| Depth | mm | 65 |
| Certificates | | |
| Equipment marking | | |
| <ul style="list-style-type: none"> • acc. to DIN EN 61346-2 • acc. to DIN EN 81346-2 | | F F |



CCC



CSA



GOST



UL



EG-Konf.

other

[other](#)

Further information

Information- and Downloadcenter (Catalogs, Brochures,...)

<http://www.siemens.com/lowvoltage/catalogs>

Industry Mall (Online ordering system)

<https://eb.automation.siemens.com/mall/en/WW/Catalog/Product/3NW70234>

Service&Support (Manuals, Certificates, Characteristics, FAQs,...)

<http://support.automation.siemens.com/WW/view/en/3NW70234/all>

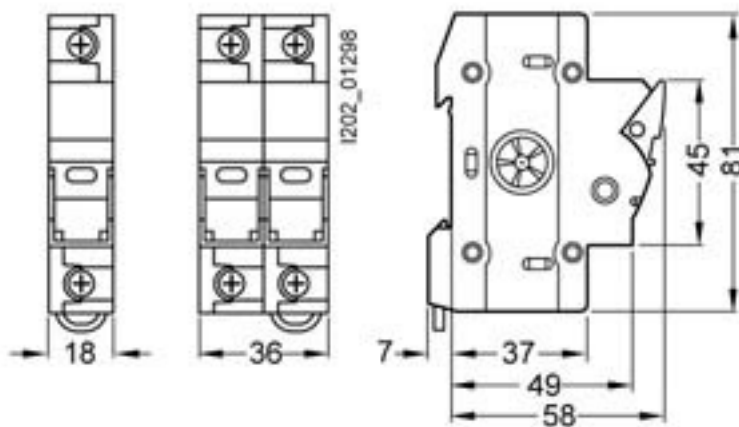
Image database (product images, 2D dimension drawings, 3D models, device circuit diagrams, ...)

http://www.automation.siemens.com/bilddb/cax_en.aspx?mlfb=3NW70234

CAx-Online-Generator

<http://www.siemens.com/cax>

Tender specifications

<http://ausschreibungstexte.siemens.com/tiplv>


last modified:

11.03.2015