

Product
Area

Male socket
Bayonet connectors

serie 710

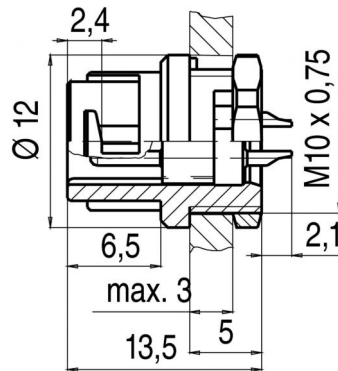
Pole
Article number

2
09 0973 00 02

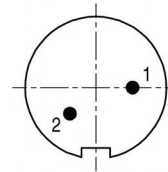
illustration



scale drawing



Contact Arrangement



	X	Y
1	1,55	0,00
2	-1,09	-1,09

You can find the assembly instruction on the next page.

Technical data

Common values

Connector Design	Male socket
Connector locking system	BayonetHocking
Termination	solder
Wire gauge (mm)	0,25 mm ²
Wire gauge (AWG)	24
Max. Cable outlet	-
Upper temperature	+85 °C
Lower temperature	-40 °C

Electrical values

Rated voltage	125 V
Rated impulse voltage	1500 V
Pollution degree	I
Overvoltage category	II
Material group	III
Rated current (40°C)	4 A
Volume resistivity	≤ 3 mΩ
EMV compliance	not shieldable
Degree of protection	IP 40
Mechanical operation	>500 mating cycles

Material

Material of contact	CuZn (brass)
Contact plating	Au (gold)
Material of contact body	PA (UL 94 V-0)
Material of housing	PA (UL 94 HB)

Cable data

material housing	-
insulation single lead	-
single lead structure	-
conductor resistance	-

Contacts 2, Male socket



Product
Area

Male socket
Bayonet connectors

serie 710

Pole
Article number

2
09 0973 00 02

Installation instructions / Mounting cutout

