



Main

| | |
|---------------------------|--------------------------------------------------------------------------|
| Range of product | OsiSense XM |
| Product or component type | Electronic pressure sensors |
| Pressure sensor type | Pressure transmitter |
| Pressure sensor name | XMEP |
| Electrical circuit type | Control circuit |
| Pressure sensor size | 250 bar |
| Local display | Without |
| Controlled fluid | Fresh water 0...125 °C Air -30...125 °C Hydraulic oil -30...125 °C |
| Fluid connection type | G 1/4A (male) conforming to DIN 3852-E |
| Electrical connection | 1 male connector AMP SUPERSEAL 1.5 3 pins |
| [Us] rated supply voltage | 24 V DC SELV, voltage limits: 12...36 V |
| Current consumption | < 7 mA |
| Type of output signal | Analogue |
| Analogue output function | 0...10 V, 3-wire |
| Quantity per set | Set of 1 |
| Type of packing | Individual |

Complementary

| | |
|-----------------------------------------|---------------------------------------------------------------------------------------------------------------------------------------------------------------------------------------------------------------------------------------------------------------------------------------------------------------------------------------------------------------------------------------------------------------------------------------------------------------------------------------------------------------------------------------------------------------------------------------------------------------------------------------------------------------------------------------------------------------------------|
| Pressure setting range | 0...250 bar |
| Maximum permissible accidental pressure | 750 bar |
| Destruction pressure | 1500 bar |
| Materials in contact with fluid | Fluorocarbon FPM Stainless steel AISI 316L |
| Operating position | Any position |
| Protection type | Load short-circuit Reverse polarity |
| Electromagnetic compatibility | Susceptibility to conducted disturbances conforming to EN/IEC 61000-4-6 criteria A - test level 30 V (f = 0.15...80 MHz) Electrical fast transient/burst immunity test conforming to EN/IEC 61000-4-4 criteria A - test level 4 kV Susceptibility to conducted transient disturbances conforming to ISO 7637-2 criteria B - test level level 3 Electrostatic discharge immunity test conforming to ISO 10605 criteria A - test level 15 kV air, 15 kV contact Susceptibility to electromagnetic fields conforming to ISO 11452-4 criteria A - test level 100 mA (f = 20...400 MHz) Susceptibility to electromagnetic fields conforming to ISO 11452-2 criteria A - test level 100 V/m (f = 200...2000 MHz) |
| [Uimp] rated impulse withstand voltage | 0.5 kV |
| Response time on output | <= 2 ms for 10...90 % of full scale |
| Measurement accuracy | +/- 0.5 % of the measuring range |
| Accuracy | 0.1 % of the measuring range |
| Drift of the sensitivity | +/- 0.02 % of measuring range/°K |
| Drift of the zero point | +/- 0.02 % of measuring range/°K |
| Repeat accuracy | +/- 0.5 % of the measuring range |
| Mechanical durability | >= 10000000 cycles |
| Product weight | 0.098 kg |

| | |
|----------|---------|
| Diameter | 26 mm |
| Length | 60.5 mm |

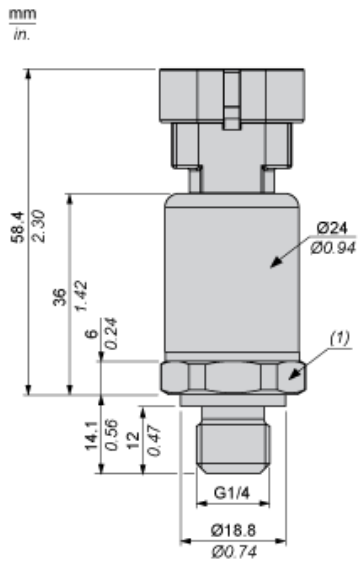
Environment

| | |
|---------------------------------------|------------------------------------------------------------------------------------------------------------------------------------|
| Standards | ISO 14982 UL 61010-1 ECE 10R-5 ISO 13766 EN/IEC 61326-2-3 EN 13309 |
| Product certifications | CULus CE E2 (pending) |
| Ambient air temperature for operation | -40...100 °C |
| Ambient air temperature for storage | -50...100 °C |
| Vibration resistance | 12 gn sinus (f = 20...520 Hz) conforming to ISO 16750-3 test 4 18 gn random (f = 10...2000 Hz) conforming to ISO 16750-3 test 4 |
| Shock resistance | 50 gn for 11 ms conforming to EN/IEC 60068-2-27 |
| IP degree of protection | IP65 conforming to EN/IEC 60529 IP67 conforming to EN/IEC 60529 |

Offer Sustainability

| | |
|----------------------------------|------------------------------------------------------------------------------------------------------------------------------------|
| Sustainable offer status | Green Premium product |
| RoHS (date code: YYWW) | Compliant - since 1702 - Schneider Electric declaration of conformity Schneider Electric declaration of conformity |
| REACH | Reference not containing SVHC above the threshold |
| Product environmental profile | Available |
| Product end of life instructions | Need no specific recycling operations |

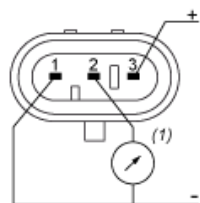
Dimensions



(1) SW24, tightening torque □ 24 N-m / 212 lb-in

Connections and Schema

Connector Wiring



(1) V out

Performance Curves

Curves

