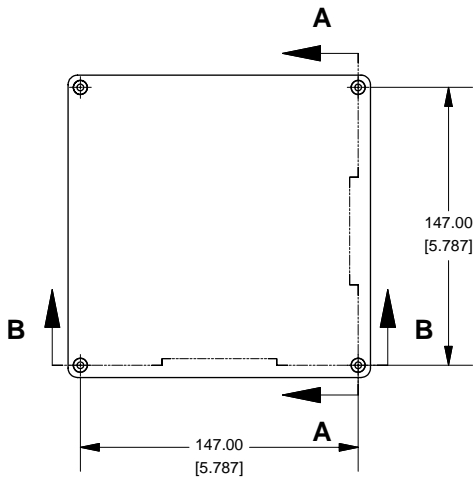
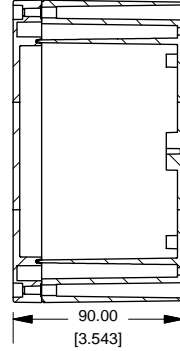


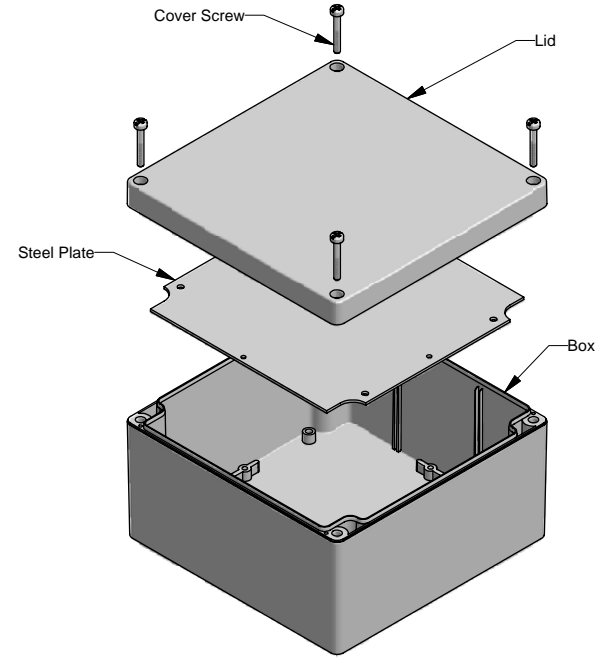
### Top View of Assembly



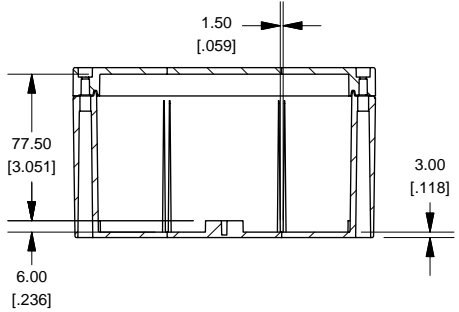
### SECTION A-A End View of Assembly



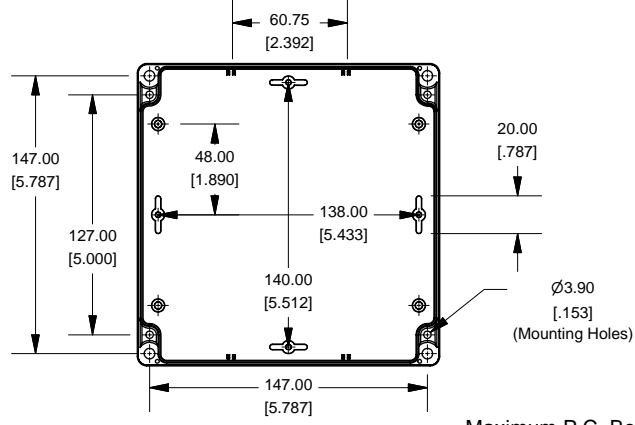
# 1554S



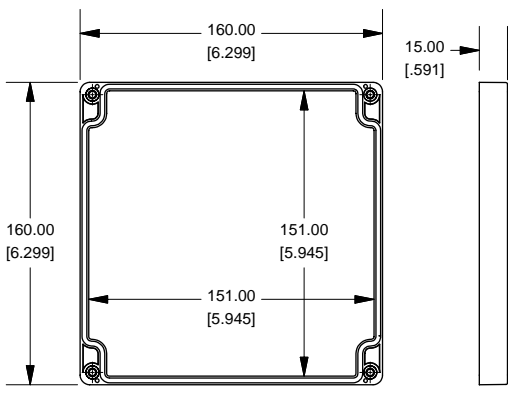
### SECTION B-B Side View of Assembly



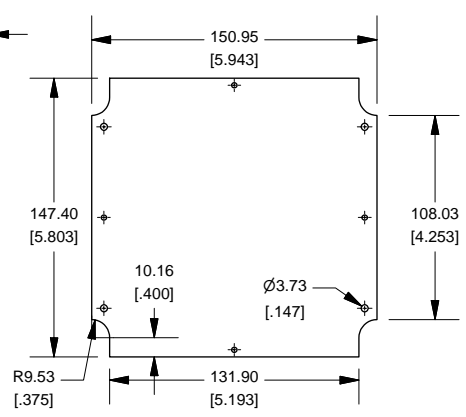
### Top View Looking Inside Box



### Lid

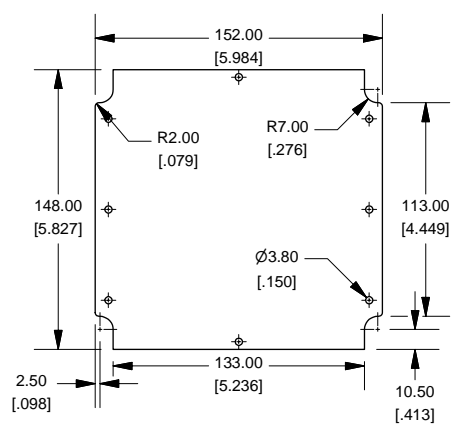


### Available 16 Gauge Steel Plate



NOTE: Hole patterns same as seen in top view of box.

### Maximum P.C. Board Size



**NOTE**  
 Purchased assembly includes box, lid and 4 cover screws.  
 Cover screws should be torqued to 2.5 lbf-in (30 cN-m)  
 Polycarbonate version is 508 approved  
 Enclosure Type 4X, 4, 12 File# E65324

1554S	
1554S Regular Enclosure	
General Purpose ABS	1554SGY
Polycarbonate	1554S2GY
1554S Clear Lid Enclosure	
Polycarbonate	1554S2GYCL
ACCESSORIES	
Heavy Duty 16 Gauge Galvanized Steel Panels	1554RPL
Steel Panel / P.C. Board Machine Screw [M3 X 8mm Nickel Plated]	1591MM100
Steel Panel / P.C. Board Self Tapping Screw [#6 X 1/4" (6.4mm) Nickel Plated]	1598ATS100
Cover Screws (Pkg 4)	
[M4 X 20mm Stainless Steel]	SC1554

