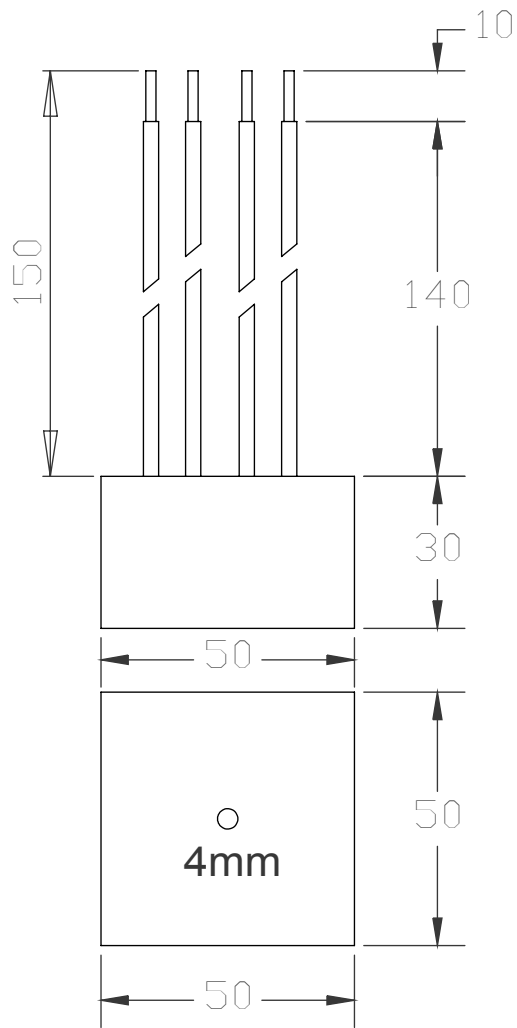
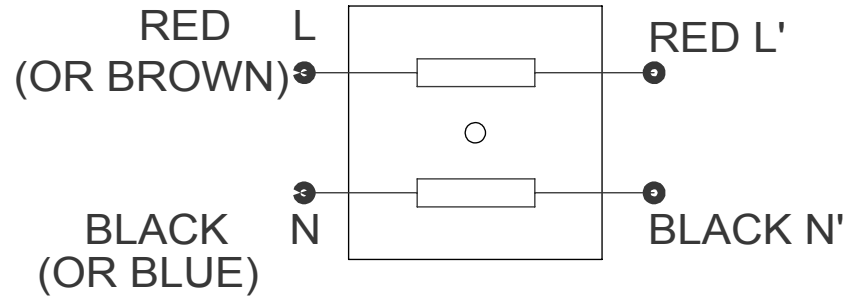


REV.	CNN	CNN DESCRIPTION	Date	Check in
02	-	BORDER CHANGE	10/02/2010	Shaun Barron



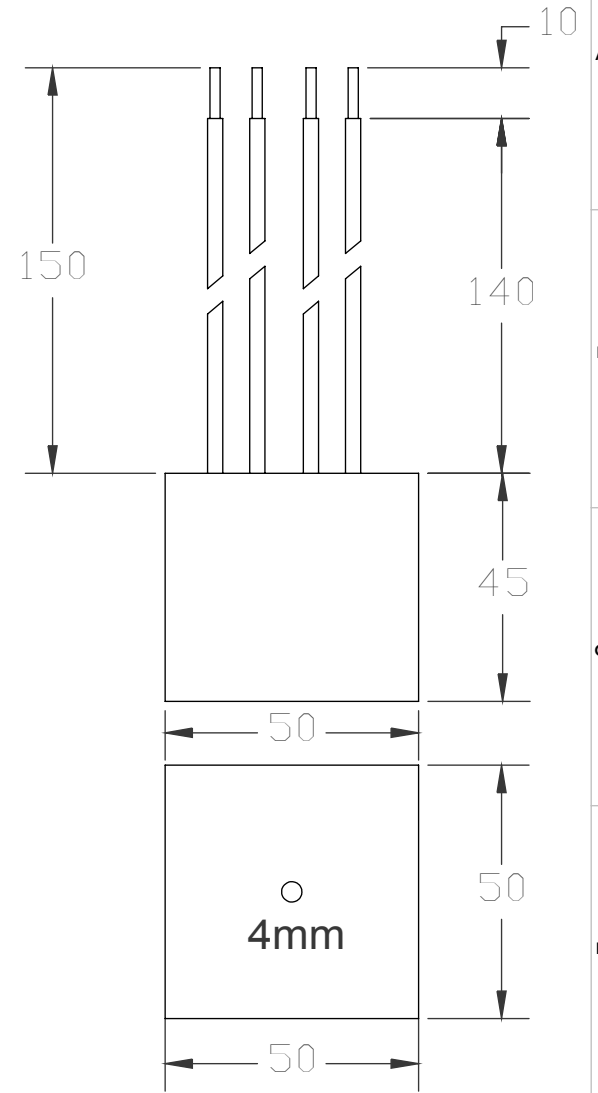
C210 & C215

**ELECTRICAL DIAGRAM  
(TOP VIEW)**



- C210 2mH 10A
- C215 1mH 15A
- C225 1mH 25A

**RoHS**  
**2002/95/EC**  
**Compliant**



C225

Tel No. +44(0)1724 273200 Website www.dem-uk.com

**PROPRIETARY AND CONFIDENTIAL**  
THE INFORMATION CONTAINED IN THIS DRAWING IS THE SOLE PROPERTY OF ALPHA 3 MANUFACTURING.  
ANY REPRODUCTION IN PART OR AS A WHOLE WITHOUT THE WRITTEN PERMISSION OF ALPHA 3 MANUFACTURING IS PROHIBITED.

UNLESS OTHERWISE SPECIFIED:  
DIMENSIONS ARE IN MILLIMETRES  
LINEAR TOLERANCE:  
**NO DECIMAL PLACES ±0.5mm**  
**1 DECIMAL PLACE ±0.25mm**  
**2 DECIMAL PLACES ±0.125mm**  
ANGULAR TOLERANCE: ±1°

FINISH -  
DEBURR AND BREAK SHARP EDGES -  
THIRD ANGLE PROJECTION  
IF IN DOUBT ASK  
DO NOT SCALE DRAWING  
MATERIAL -

DRAWN BY SPB  
APPROVED BY SW  
SHEET 1 OF 1  
SCALE 1:1  
A4

TITLE **GENERAL SPECIFICATION FOR C2XX**  
DRAWING NO. C2XX  
ISSUE **02**  
Release



DEM Manufacturing, Deltron Emcon House  
Hargreaves Way, Sawcliffe Ind. Park,  
Scunthorpe, North Lincolnshire, DN15 8RF, UK