

Ferrite Toroidal Core

TOROIDAL CORES

Toroidal cores provide high performance when wound and used as cores for transformers, inductors, or chokes.

FEATURES:

Minimal effect on transmission waveforms

Provide low cost noise countermeasures right at the data lines

Can be added as First-Aid, On-The Spot countermeasures when equipment or devices fail

APPLICATIONS:

Measuring equipment

Current sensing transformers

DC-DC converters

Telecommunications

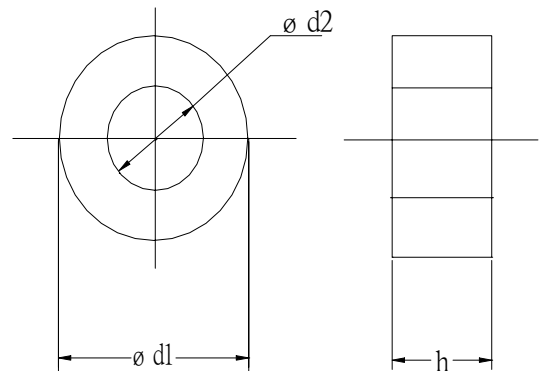
EMI filters

LAN matching and isolation transformers

LAN common mode chokes

Power supply common chokes

Inductors

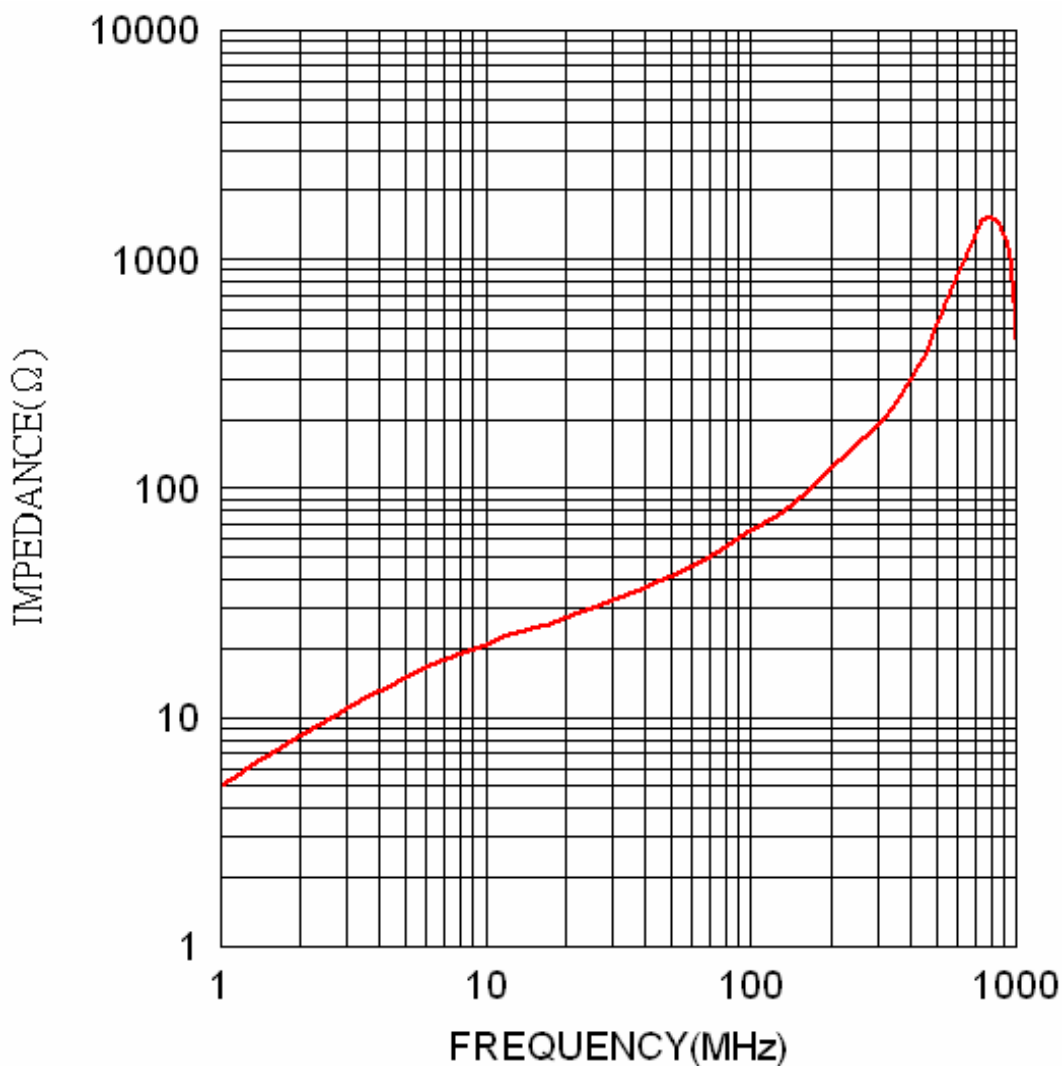


SPECIFICATION:

h	7.5 mm
$\varnothing d1$	29 mm
$\varnothing d2$	19 mm
Inductance Constant	0.6±0.15 uH

Frequency Graph

1. TEST INSTRUMENT: HP4286A
2. WINDING: 0.6 Φ X100 mm 2 U.E. W 1TS



	1	5	10	25	100	200	400	600	800	1000
Z —	5	15	21	30	65	123	300	860	1527	448

(DATA BETWEEN 500MHz AND 1000MHz ARE FOR REFERENCE ONLY)

Art. Nr.
RND 165-00201