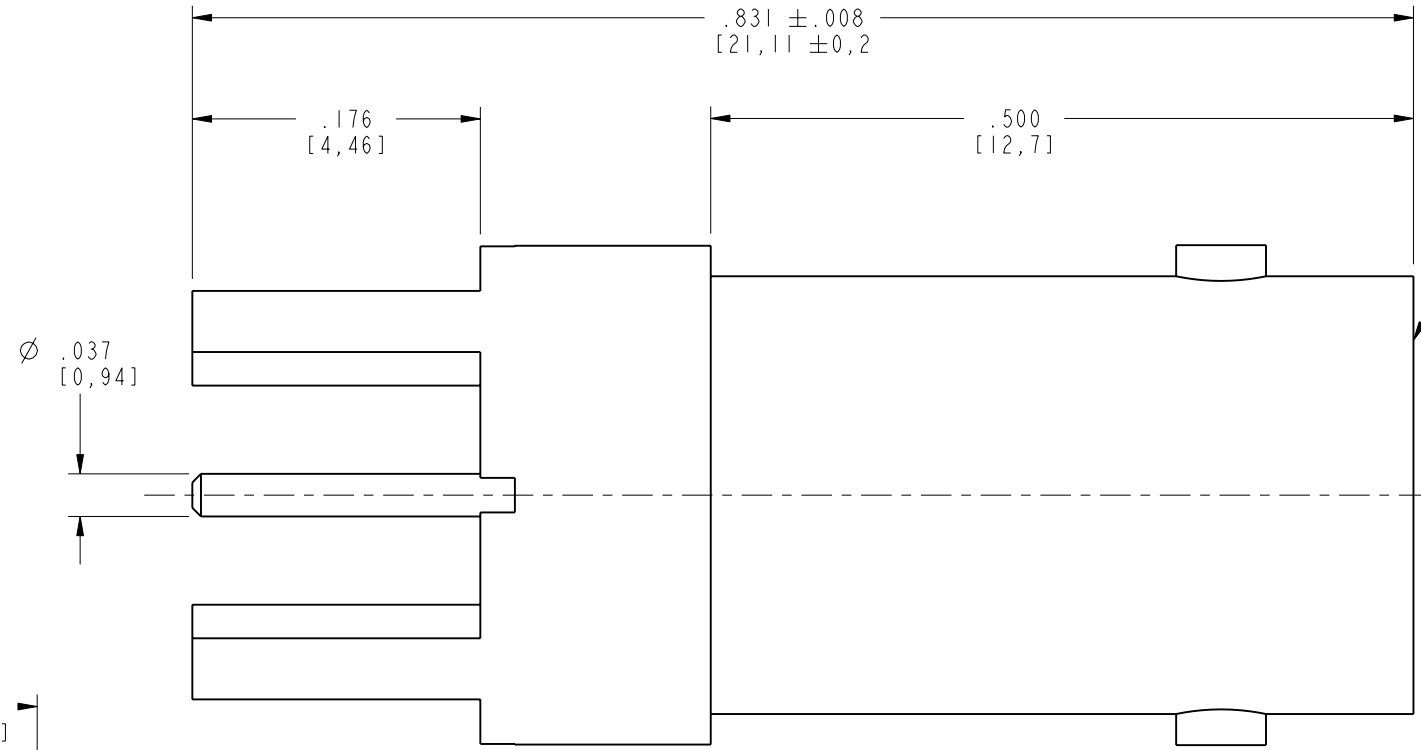
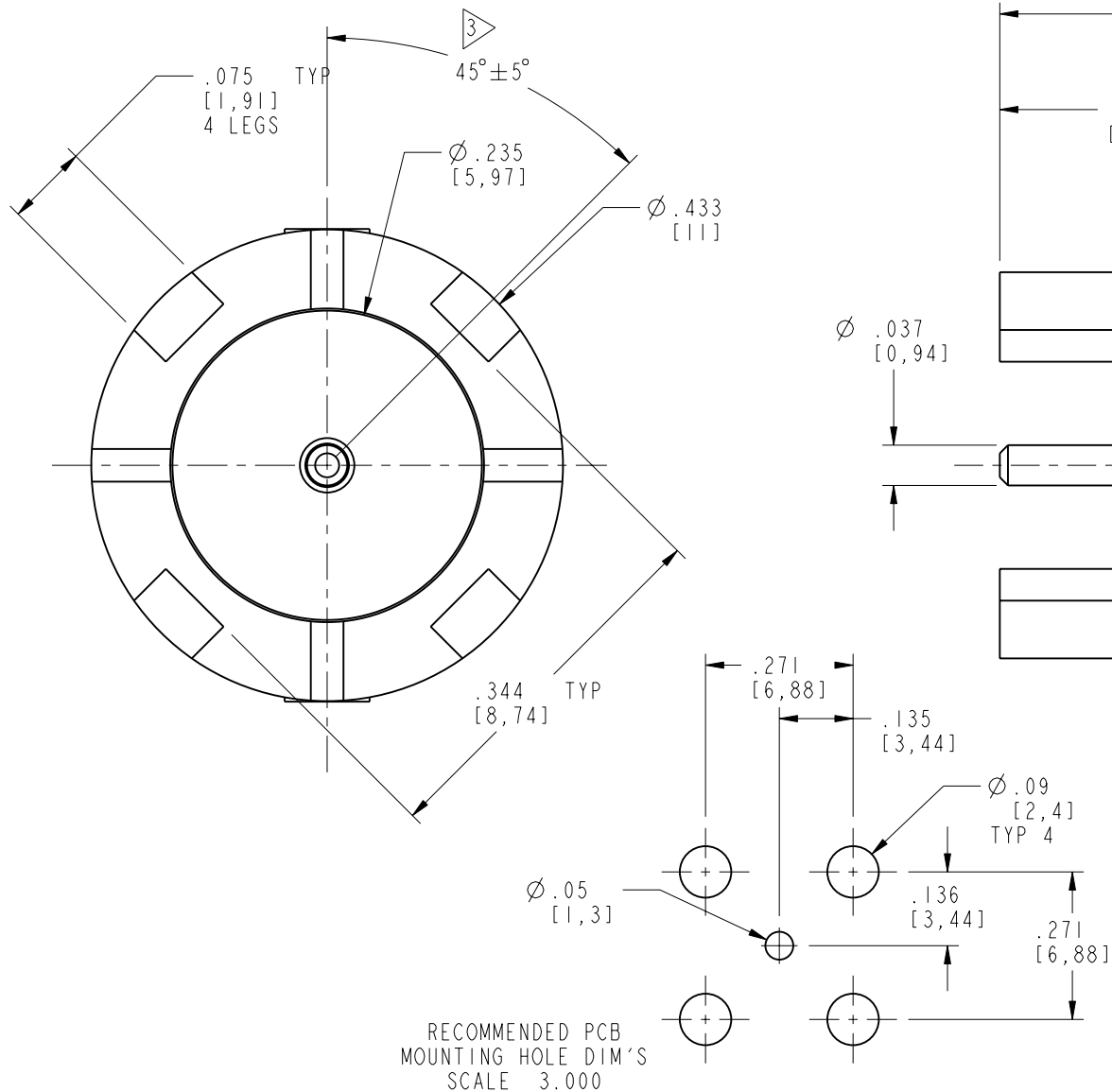
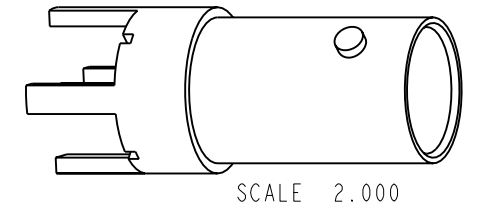


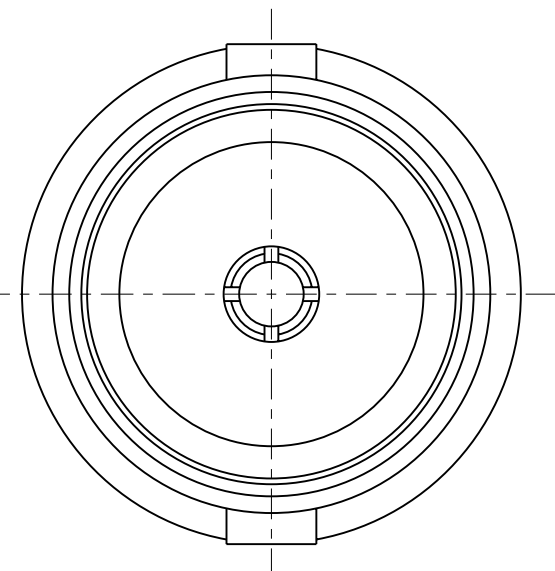
NOTES:

- MATERIALS OF CONSTRUCTION:  
 BODY = BRASS (ASTM-B16 H02, C36000), NICKEL PLATED (.00100 MIN) THICK  
 CONTACT = PHOSPHOR BRONZE, GOLD PLATED (.000003 MIN) THICK  
 LOCK RING = BRASS (Q0-B-613), NICKEL PLATED (.00100 MIN) THICK  
 INSULATORS (2) = PBT POLYESTER
- PACKAGE IN BAG, MARK BAG: "31-5329-72RFX YYWW"
- BNC LUG ORIENTATION RELATIVE TO PCB LEGS.

31-5329-72RFX		REVISIONS			
DRAWING NO.	REV	DESCRIPTION	DATE	ECO	APPR
THIRD ANGLE PROJ.	--	RELEASE TO MFG.	----	----	----
	B	SEE SHEET 1	8/1/05	45657	CPM



INTERFACE PER  
MIL-STD-348  
BNC SERIES  
FIGURES 301.2



**CUSTOMER OUTLINE DRAWING**  
ALL OTHER SHEETS ARE FOR INTERNAL USE ONLY

UNLESS OTHERWISE SPECIFIED, DIMENSIONS ARE IN INCHES AND TOLERANCES ARE: 2 PLACE DECIMAL ±.015 (0,381 mm) 3 PLACE DECIMAL ±.005 (0,127 mm) ANGLES ± 1°	MATERIAL	DRAWN C. McGRATH	DATE 7/20/05	TITLE <b>75 OHM BNC PCB MOUNT RECEPTACLE</b>		<b>Amphenol RF</b> Danbury, CT, USA Tainan, Taiwan Shenzhen, China <a href="http://www.amphenolrf.com">www.amphenolrf.com</a>	
	REFERENCE EAR# 112-963603 GEN# ASSYFI_BNC75	ENGINEER O. BARTHELME	DATE 7/20/05				
NOTICE - These drawings, specifications, or other data (1) are, and remain the property of Amphenol Corp. (2) must be returned upon request; and (3) are confidential and not to be disclosed to any person other than those to whom they are given by Amphenol Corp. The furnishing of these drawings, specifications, or other data by Amphenol Corp., or to any other person to anyone for any purpose is not to be regarded by implication or otherwise in any manner licensing, granting rights or permitting such holder or any other person to manufacture, use or sell any product, process or design, patented or otherwise, that may in any way be related to or disclosed by said drawings, specifications, or other data.		CAD FILE I:\BNC_75\31-5329-72RFX	CODE ID 74868	DWG SIZE B	DRAWING NO. 31-5329-72RFX	SCALE: 6.0:1	SHEET 2 OF 2
						REV B	