

FELLER GMBH

A-2525 GUENSELSDORF, AUSTRIA - TEL.: . . 43(2256) 62 32 50 - FAX: . . 43 (2256) 62 32 57
e-mail: sales@feller-at.com <http://www.feller-at.com>

Description: IND/3/16-IS694 3CX100 70°C-C13/2,50M SW9005

(L112)

Rating of cord set: 10A/250Vac

1. PLUG: Type IND/3/16

Molded plug according to : IS 1293
Rated current and voltage : 16 A, 250 V AC
Plugbase : PBT GFR
Construction : double insulation
Pins : brass, crimped
Pins outer diameter : grounding O.D. 8,71 mm
line and neutral O.D. 7,06 mm
Outer mold : PVC compound, hardness Shore A75-77
Approvals : ISI-mark (pending)
SCIP database : 9325adcc-1bed-4b99-88ab-2a826f4f0aab

2. CORD: IS694 3CX100 70°C

BLACK

Flexible cord according to : IS 694 : 2010
Marked : *JF*FELLER*1100V*3CX1.0 SQ.MM*IS694*CM/L-xxx
Number of cores : 3
Conductor construction : 32x0,20mm bare copper
Conductor insulation : PVC, Ø 2,55mm,
Jacket : PVC, Ø 7,40mm +/-0,2mm
Temp.rating : -20°C to +70°C
Resistance of conductors : max. 19,5 Ω/km
Dielectric strength : 2kVac, 1min.
Color of conductors : yellow/green, red, black
Approvals : IS PENDING

3. CONNECTOR: Type C13

Molded connector according to : EN/IEC60320/C13
Rated current and voltage : 10 A, 250 V AC
Construction : double insulation, contacts crimped
Contacts of the connection : self-adjusting phosphor bronze CuSn6
Inner insulation : PPO GFR
Outer mold : PVC compound, hardness Shore A 75-77
Approvals : CE, ENEC

Environmental conformity

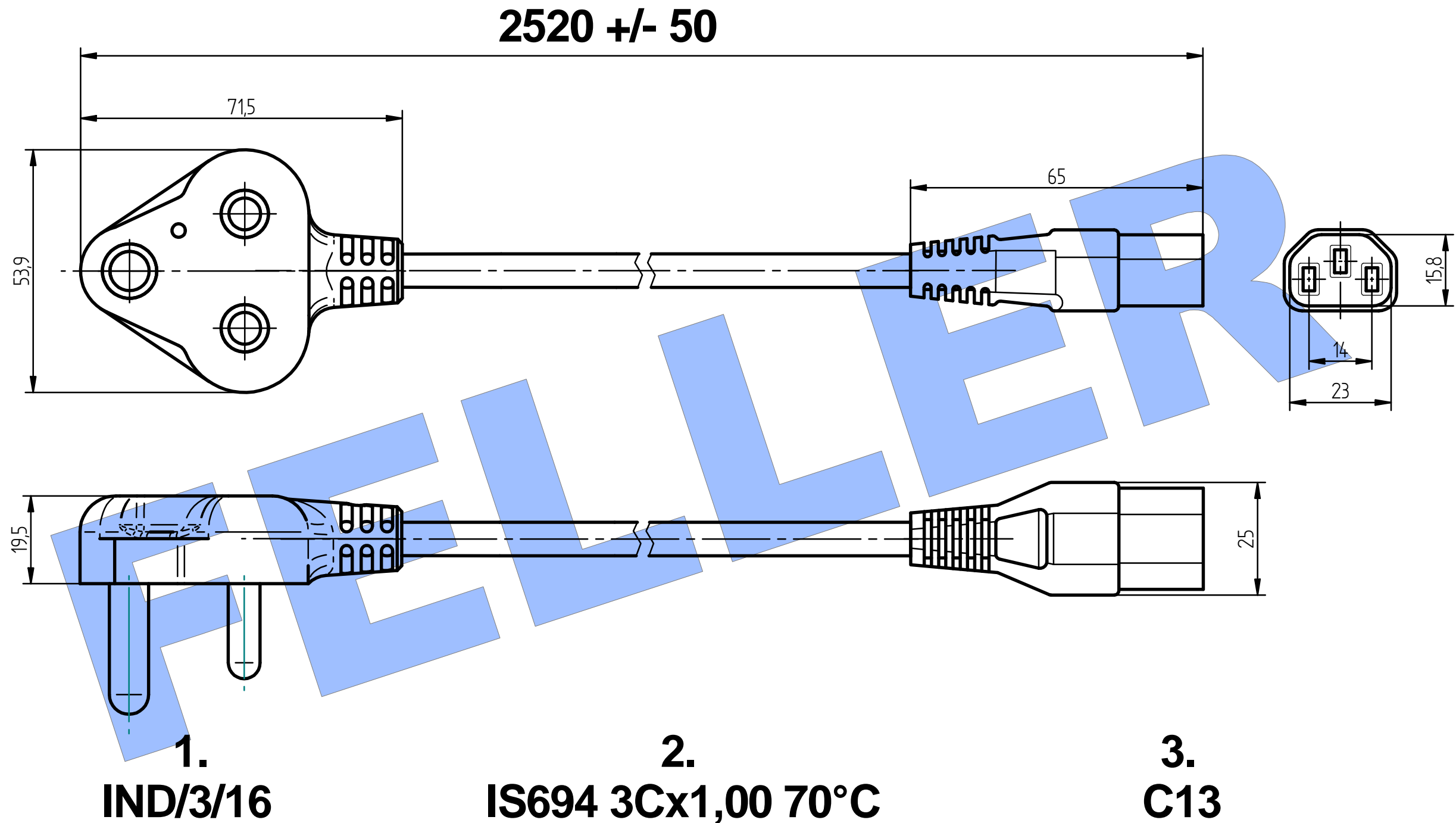
: EU-Directive 2012/19/EU (WEEE)
EU-Directive 2011/65/EU
EU-Directive 1907/2006 EG (REACH -compliant)

TESTING

Electrical testing : 100%
Visual inspection : 100%
High pot test wire to wire : 3kVac for 2 sec.
Continuity test : 25Aac to grounding / 20Aac to line and neutral
Polarity test : yes
Skin high pot test : 6kVac line to skin

design subject to change without prior notice, except written agreements with customer

DATE of ISSUE:	July, 2022
REV:	ORIG: DG



Feller Type: IND/3/16-IS694 3CX100 70°C-C13/2,50M SW9005 (L112)



All dimensions in mm

13.07.2022 | **MW**

RoHS compliant

FELLER 

A-2525 Günselsdorf, Austria

Telefon 0043-2256-62325-0

Fax: 0043-2256-62325-7

email: sales@feller-at.com

<http://www.feller-at.com>