

Solenoid operated valves direct acting
spool 3-way 2-position
Common cavity, Size 08

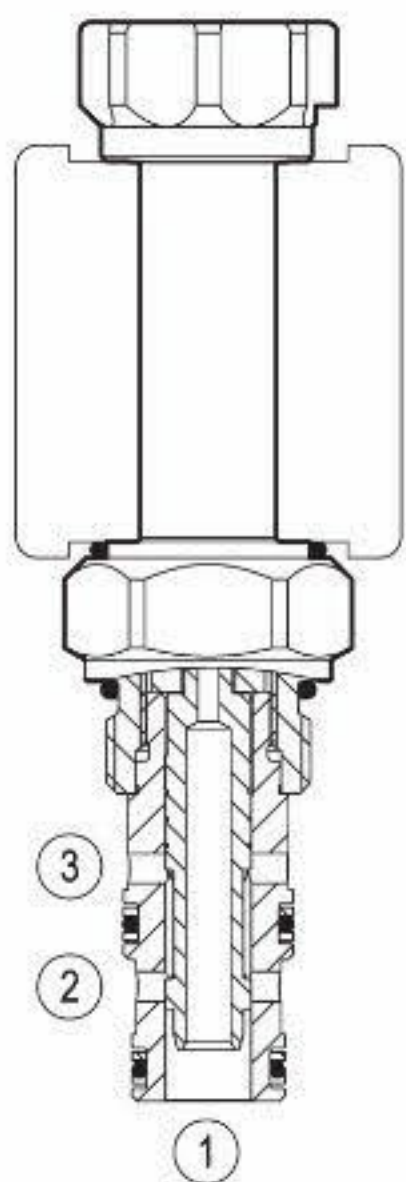
VED-8I-32

OD.13 - X - 51 - Y - Z

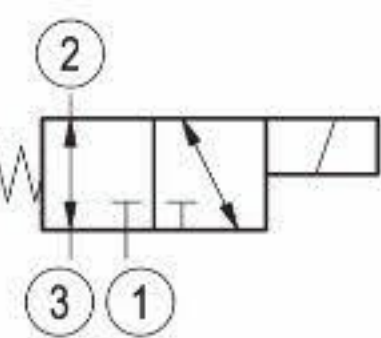
RE 18324-61

Edition: 03.2016

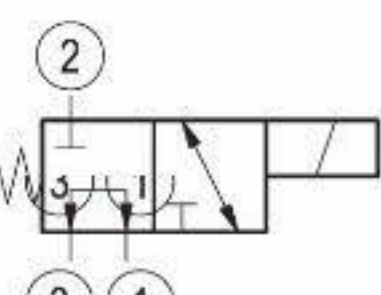
Replaces: 01.2006



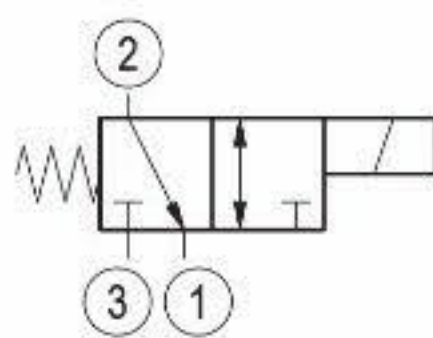
▼ **Version 10**



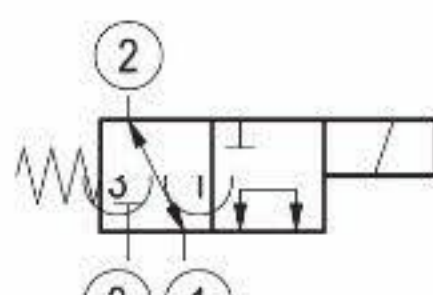
▼ **Version 20**



▼ **Version 11**



▼ **Version 30**



Technical data

General		
Weight	0.14 kg (0.31 lbs)	
Installation orientation	Any	
Ambient temperature range	-30 to 60 °C (-22 to 140 °F) - coil 20W	
Hydraulic		
Max. operating pressure	210 bar (3045 psi)	
Max. flow	10 l/min. (3 gpm)	
Max. internal leakage	40 cm ³ /min. (2.4 cu.in./min.)	
Fluid temperature range	-20 to 80 °C (-4 to 176 °F)	
Fluids: Mineral-based or synthetics with lubricating properties at viscosities of 20 to 380 mm ² /s (cSt)		
Installation torque	39 - 51 Nm (29 - 38 ft-lbs)	
Filtration	Nominal value max. 10 µm (NAS 8) ISO 4406 19/17/14	
Cavity	CA-08A-3N	
Seal kit	code	RG08A3010530100
	material no.	R901101723
Seal kit coil	code	RG12I1PNBR7010
	material no.	R934003957
Other technical data	See data sheet 18350-50	
Electrical		
Type of voltage	DC voltage	
Coil type	S8-356	
Supply voltage	See data sheet 18325-90	
Power consumption	See data sheet 18325-90	
Duty cycle coil	See data sheet 18325-90	
Type of protection	See data sheet 18325-90	
Note: Coils must be ordered separately		