



Sell Sheet WS-2001

TRIO WASTE SEPARATION STATIONS



150 L

WS-2001-CLR

Unique design allowing waste separation in high traffic areas.

Transparent version enable an easy and quick identification of contents.

Waste identification on top or sides with pictogram stickers.

8 colour stickers + 8 pictogram stickers delivered with each unit : Cans & Bottles / Paper / Plastics / Metal / Organic / Glass / Non recyclable / Other.



WS-2001-BLA



WS-2001-SIL



WS-2001-SSSTL



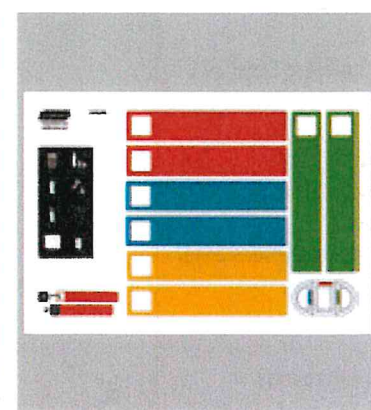
Black, silver and stainless steel versions supplied with galvanized metal rigid liners



Inside liners capacities :
40 L (half round)
& 70 L (square)



Clear version equipped with sac holders.

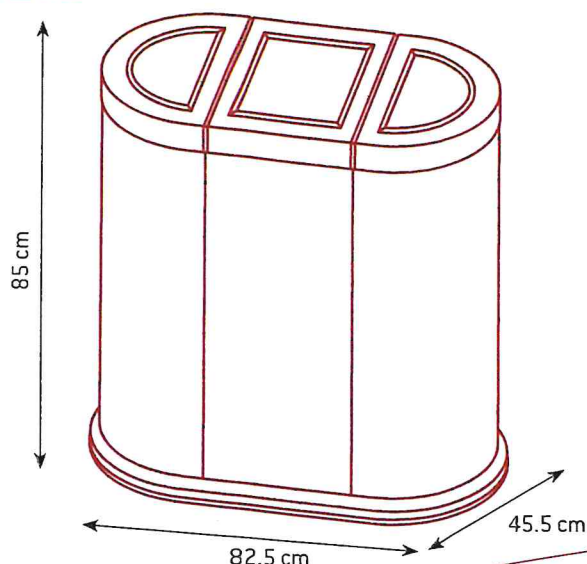


Pictogram & colour stickers delivered with each unit.



Technical Sheet WS-2001

TRIO WASTE SEPARATION STATIONS



Product codes :

- WS-2001-BLA
- WS-2001-CLR
- WS-2001-SIL
- WS-2001-SSSTL

EAN codes :

- WS-2001-BLA : 4897020625049
- WS-2001-CLR : 4897020625018
- WS-2001-SIL : 4897020624998
- WS-2001-SSSTL : 4897020625001

Materials :

- WS-2001-BLA : Metal
- WS-2001-CLR : Metal/Acrylic
- WS-2001-SIL : Metal
- WS-2001-SSSTL : Stainless Steel 201

Colours :

- WS-2001-BLA : Black
- WS-2001-CLR : Silver/Clear
- WS-2001-SIL : Silver
- WS-2001-SSSTL : Satin Stainless Steel

Capacity :

- 150 L
- Inside liners : 40 L (half round)
& 70 L (square)

Product net weight :

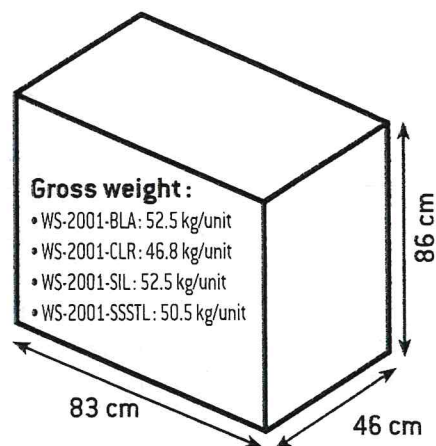
- WS-2001-BLA : 37 kg/unit
- WS-2001-CLR : 31 kg/unit
- WS-2001-SIL : 37 kg/unit
- WS-2001-SSSTL : 35 kg/unit

Product dimensions :

[L] 82.5 x [W] 45.5 x [H] 85 cm



GIFT BOX SPECIFICATIONS



CARTON SPECIFICATIONS

