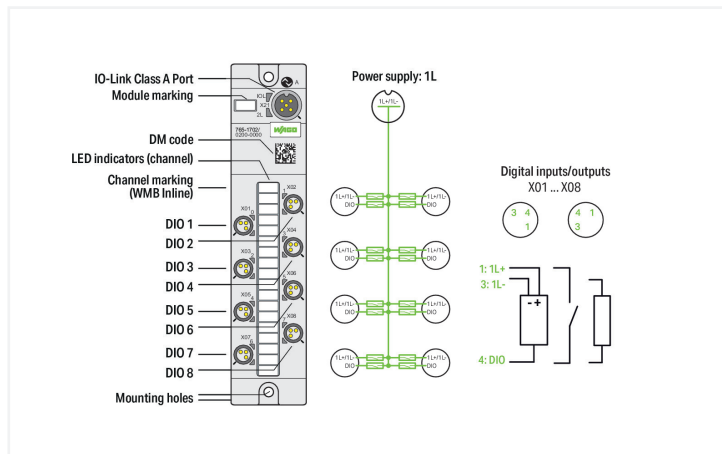


Data Sheet | Item Number: 765-1702/200-000

8-channel digital input/output; IO Link Class A Hub; DC 24 V / 2.0 A; 8xM8 connection; HubLine

<https://www.wago.com/765-1702/200-000>



Technical data

IO-Link	
Communication	IO-Link slave (class A)
Connection technology: communication/fieldbus	1 x A-coded M12; 5-pole

Device functions	
Parameter	Input filter Output current Temperature
Diagnostics	Undervoltage; overcurrent; overload; overtemperature

Digital inputs/outputs	
Number of digital inputs	8
Number of digital outputs	8
Connection technology: inputs/outputs	8 x M8; 3-pole
Signal type (voltage)	24 VDC
Input characteristic	high-side switching Type 3, per IEC 61131-2
Input filter	0.2 ... 20 ms
Output current (per channel)	2 A

Supply	
Connection technology: supply	1 x A-coded M12; 5-pole; via IO-Link port (1L)
Supply voltage	24 VDC (18 ... 31.2 V); 1L
Current consumption (max.)	4000 mA
Current consumption (note)	1L: 0.2 A + load current
Reverse voltage protection	Yes

Physical data

Width	35 mm / 1.378 inches
Height	30 mm / 1.181 inches
Depth	158.5 mm / 6.24 inches

Mechanical Data

Weight	120 g
Conformity marking	CE

Environmental requirements

Ambient temperature (operation)	-25 ... +70 °C
Surrounding air temperature (storage)	-40 ... +80 °C
Protection type	IP67
Protection class	III per EN 61140, IEC 61140, VDE 0140-1
Operating altitude	0 ... 2000 m / 0 ... 6562 ft
Pollution degree (5)	3 (EN 60664-1)
Overvoltage category	II (EN 60664-1)
Vibration resistance	5g per IEC 60068-2-6
Shock resistance	Short-term: 50g/11 ms/half-sine per IEC 60068-2-27; Long-term: 30g/6 ms/half-sine per IEC 60068-2-29
EMC immunity to interference	per EN 61000-6-2
EMC emission of interference	per EN 61000-6-4

Commercial data

ETIM 8.0	EC001599
ETIM 7.0	EC001599
PU (SPU)	1 pcs
Packaging type	Box
Country of origin	DE
GTIN	4055143950039
Customs tariff number	85371098990

Downloads

Environmental Product Compliance

Compliance Search

Environmental Product Compliance 765-1702/200-000	↓
--	-------------------

Documentation

Manual

Product Manual 8-Channel Digital Input/Output; IO-Link Class A Hub	V 2.0.0 19.07.2022	pdf 3572.15 KB	↓
--	-----------------------	-------------------	-------------------

System Description


WAGO I/O System Field; General Product Information	pdf 1009.23 KB	↓
--	-------------------	-------------------

Instruction Leaflet


I/O System Field package insert	15.12.2021	pdf 1083.98 KB	↓
---------------------------------	------------	-------------------	-------------------


CAD/CAE-Data

CAD data

2D/3D Models
765-1702/200-000 


CAE data

EPLAN Data Portal
765-1702/200-000 

ZUKEN Portal
765-1702/200-000 

Runtime Software

Firmware

0765-17xx, IO-Field	V 01	zip	333.28 KB	
---------------------	------	-----	-----------	---

1 Compatible Products

1.1 Required Accessories

1.1.1 Cover

1.1.1.1 Cover



[Item No.: 756-8103](#)
M12 protective cap; for unused plugs

[Item No.: 756-8101](#)
M8 protective cap; for unused sockets

1.1.2 Marking

1.1.2.1 Marker



[Item No.: 2009-115](#)
WMB-Inline; for Smart Printer; 1500 pieces on roll; stretchable 5 - 5.2 mm; plain; snap-on type; white

1.1.2.2 Marking strip



[Item No.: 2009-110](#)
Marking strips; for Smart Printer; on reel; not stretchable; plain; snap-on type; white

1.1.3 Tool

1.1.3.1 Assembly tool



Item No.: 206-701
Torque wrench M8 and M12; Assembly kit

1.2 Optional Accessories

1.2.1 Cables and connectors

1.2.1.1 Configurable connectors



Item No.: 756-9105/030-000
Fitted pluggable connector; 3-pole; M8 plug, right angle; IDC technology



Item No.: 756-9102/030-000
Fitted pluggable connector; 3-pole; M8 plug, straight; IDC technology

1.2.1.2 Sensor/actuator cable



Item No.: 756-5302/050-015
Sensor/Actuator cable; M12A socket; angled; 5-pole; Length: 1.5 m



Item No.: 756-5302/050-100
Sensor/Actuator cable; M12A socket; angled; 5-pole; Length: 10 m



Item No.: 756-5302/050-050
Sensor/Actuator cable; M12A socket; angled; 5-pole; Length: 5 m



Item No.: 756-5404/050-010
Sensor/Actuator cable; M12A socket; angled; M12A plug; angled; 5-pole; Length: 1 m



Item No.: 756-5404/050-020
Sensor/Actuator cable; M12A socket; angled; M12A plug; angled; 5-pole; Length: 2 m



Item No.: 756-5403/050-010
Sensor/Actuator cable; M12A socket; angled; M12A plug; straight; 5-pole; Length: 1 m



Item No.: 756-5403/050-020
Sensor/Actuator cable; M12A socket; angled; M12A plug; straight; 5-pole; Length: 2 m



Item No.: 756-5504/030-010
Sensor/Actuator cable; M12A socket; angled; M8 plug; angled; 3-pole; Length: 1 m



Item No.: 756-5504/030-020
Sensor/Actuator cable; M12A socket; angled; M8 plug; angled; 3-pole; Length: 2 m



Item No.: 756-5503/030-010
Sensor/Actuator cable; M12A socket; angled; M8 plug; straight; 3-pole; Length: 1 m



Item No.: 756-5503/030-020
Sensor/Actuator cable; M12A socket; angled; M8 plug; straight; 3-pole; Length: 2 m



Item No.: 756-5301/050-015
Sensor/Actuator cable; M12A socket; straight; 5-pole; Length: 1.5 m



Item No.: 756-5301/050-100
Sensor/Actuator cable; M12A socket; straight; 5-pole; Length: 10 m



Item No.: 756-5301/050-050
Sensor/Actuator cable; M12A socket; straight; 5-pole; Length: 5 m



Item No.: 756-5402/050-010
Sensor/Actuator cable; M12A socket; straight; M12A plug; angled; 5-pole; Length: 1 m



Item No.: 756-5402/050-020
Sensor/Actuator cable; M12A socket; straight; M12A plug; angled; 5-pole; Length: 2 m



Item No.: 756-5401/050-010
Sensor/Actuator cable; M12A socket; straight; M12A plug; straight; 5-pole; Length: 1 m



Item No.: 756-5401/050-020
Sensor/Actuator cable; M12A socket; straight; M12A plug; straight; 5-pole; Length: 2 m



Item No.: 756-5502/030-010
Sensor/Actuator cable; M12A socket; straight; M8 plug; angled; 3-pole; Length: 1 m



Item No.: 756-5502/030-020
Sensor/Actuator cable; M12A socket; straight; M8 plug; angled; 3-pole; Length: 2 m



Item No.: 756-5501/030-010
Sensor/Actuator cable; M12A socket; straight; M8 plug; straight; 3-pole; Length: 1 m



Item No.: 756-5501/030-020
Sensor/Actuator cable; M12A socket; straight; M8 plug; straight; 3-pole; Length: 2 m



Item No.: 756-5112/030-015
Sensor/Actuator cable; M8 plug; angled; 3-pole; Length: 1.5 m



Item No.: 756-5112/030-100
Sensor/Actuator cable; M8 plug; angled; 3-pole; Length: 10 m



Item No.: 756-5112/030-050
Sensor/Actuator cable; M8 plug; angled; 3-pole; Length: 5 m



Item No.: 756-5111/030-015
Sensor/Actuator cable; M8 plug; straight; 3-pole; Length: 1.5 m



Item No.: 756-5111/030-100
Sensor/Actuator cable; M8 plug; straight; 3-pole; Length: 10 m



Item No.: 756-5111/030-050
Sensor/Actuator cable; M8 plug; straight; 3-pole; Length: 5 m

1.2.1.2 Sensor/actuator cable



[Item No.: 756-5204/030-010](#)

Sensor/Actuator cable; M8 socket; angled; M8 plug; angled; 3-pole; Length: 1 m



[Item No.: 756-5204/030-020](#)

Sensor/Actuator cable; M8 socket; angled; M8 plug; angled; 3-pole; Length: 2 m



[Item No.: 756-5203/030-010](#)

Sensor/Actuator cable; M8 socket; angled; M8 plug; straight; 3-pole; Length: 1 m



[Item No.: 756-5203/030-020](#)

Sensor/Actuator cable; M8 socket; angled; M8 plug; straight; 3-pole; Length: 2 m



[Item No.: 756-5202/030-010](#)

Sensor/Actuator cable; M8 socket; straight; M8 plug; angled; 3-pole; Length: 1 m



[Item No.: 756-5202/030-020](#)

Sensor/Actuator cable; M8 socket; straight; M8 plug; angled; 3-pole; Length: 2 m



[Item No.: 756-5201/030-010](#)

Sensor/Actuator cable; M8 socket; straight; M8 plug; straight; 3-pole; Length: 1 m



[Item No.: 756-5201/030-020](#)

Sensor/Actuator cable; M8 socket; straight; M8 plug; straight; 3-pole; Length: 2 m