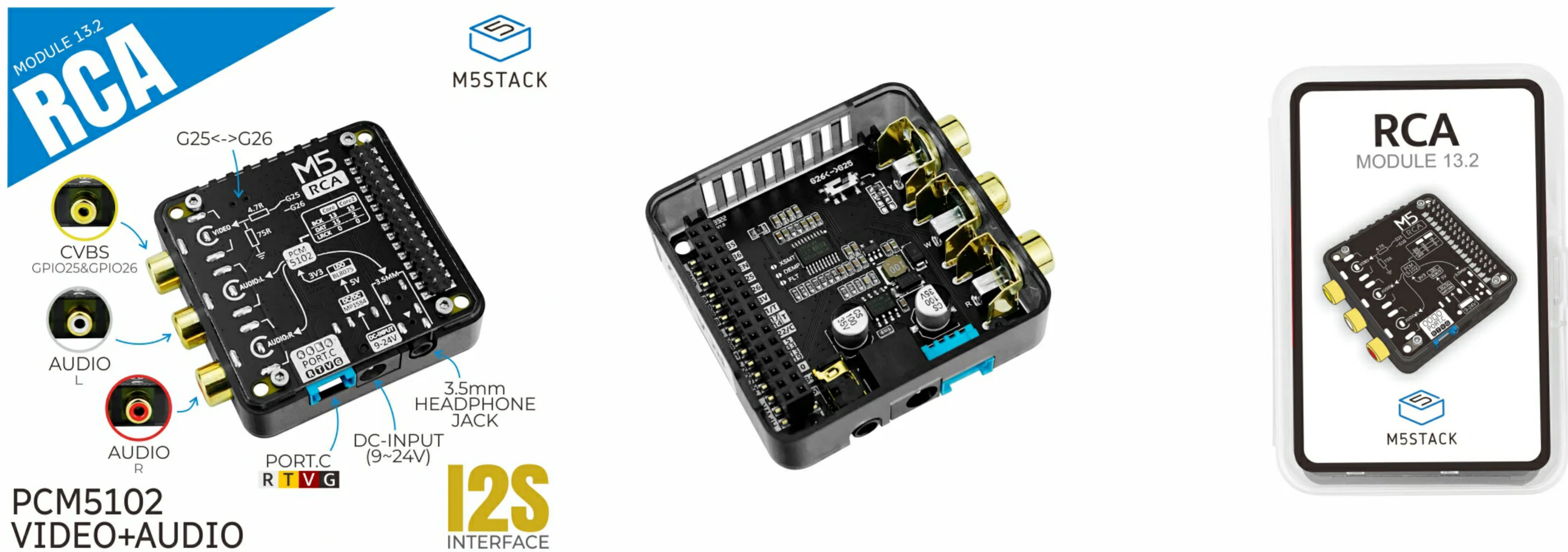


# RCA Module 13.2

SKU:M125



## Description

Module RCA is a composite signal expansion module for audio and video, using the common S-terminal RCA connector, divided into two (left and right channels) audio and one video output. The audio part adopts the I2S power amplifier chip PCM5102APWR scheme, which can realize 32-bit stereo audio signal output; In terms of video, the DAC analog video signal function of the main control ESP32 is applied, which can generate analog video signals with a resolution of no more than 864 x 576 (PAL, PAL\_M); The module contains a DC socket and a 9-24V to 5V DCDC circuit to supply power to the whole machine. This product is suitable for audio and video equipment that drives the S-terminal interface.

## Features

- RCA composite video audio output(Left and right channel audio interface)
- RCA female jack terminals
- 1 CVBS video output interface (GPIO25&GPIO26 switch between two choices)
- 3.5mm headphone jack audio output
- Port C interface
- PCM5102 audio stereo DAC
- DC 9-24V to 5V Output (<5V, 3A)

## Includes

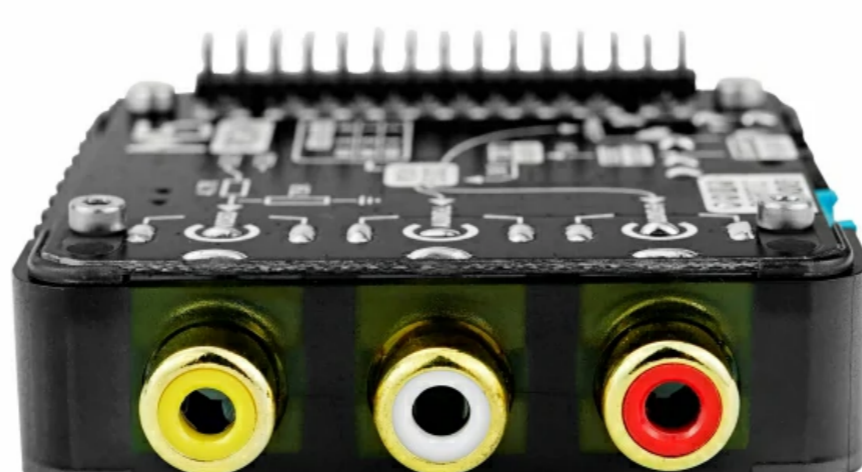
- 1x RCA Module

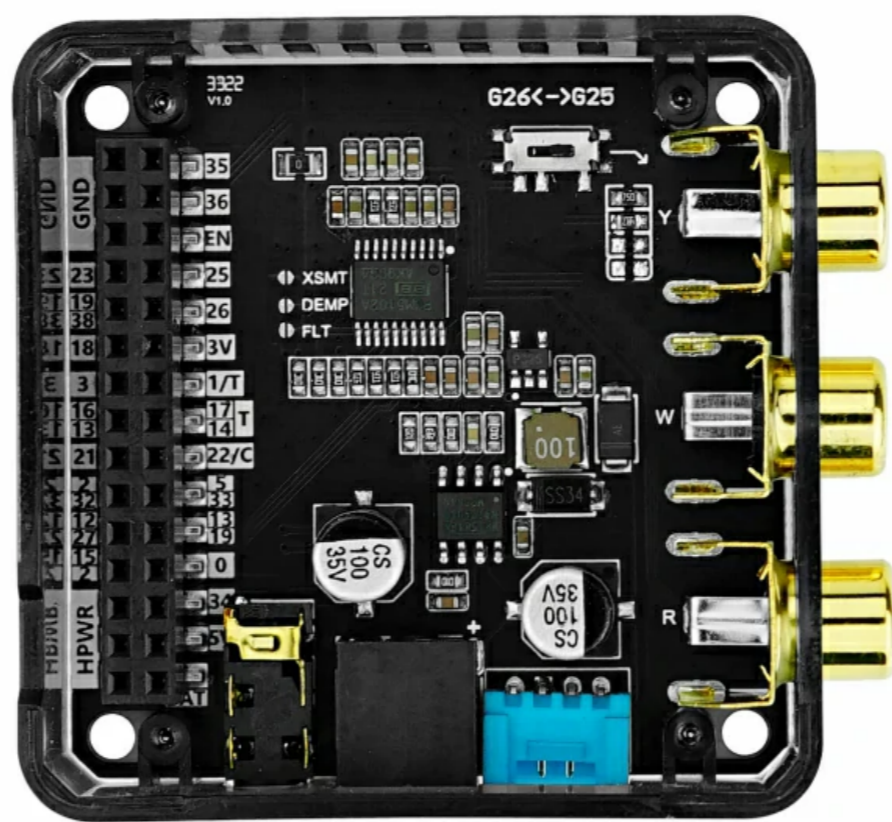
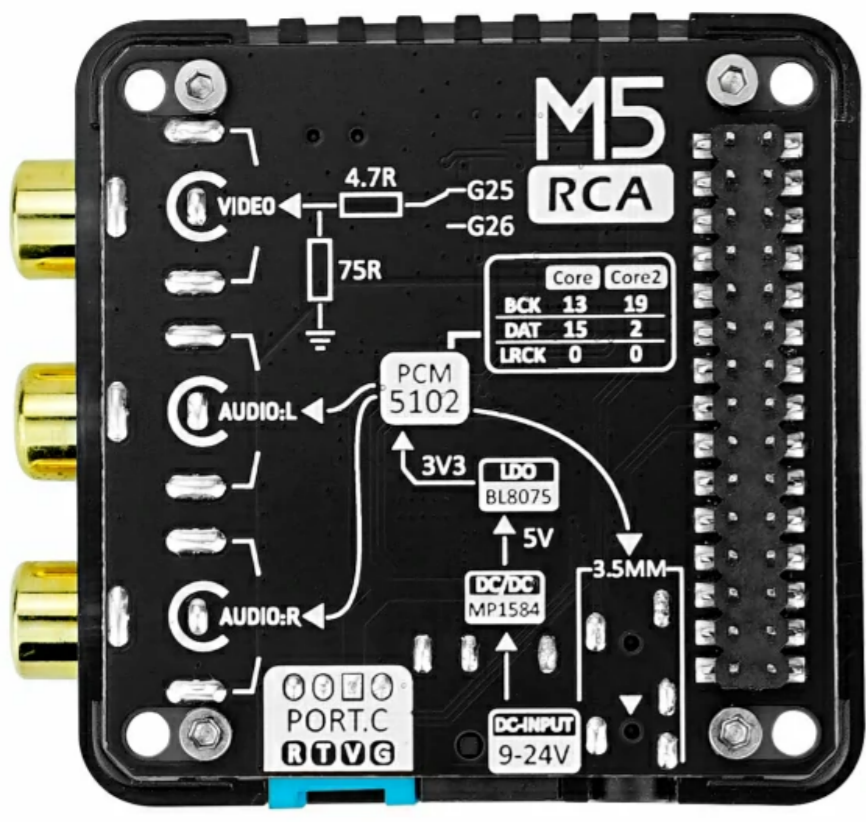
## Applications

- RCA stereo output
- Composite video and audio output

## Specification

Resources	Parameters
Audio stereo DAC chip	Audio stereo DAC chip
interface	RCA female seat
channel	1 CVBS video output interface (GPIO25&GPIO26 switch between two choices)
Output signal	Audio and video (3.5mm headphone jack output optional)
DCDC	MP1584EN
Audio stereo DAC chip	PCM5102APWR
Product Size	54mm × 54mm × 19.7mm (外壳高13.2mm)
Package Size	93mm × 63mm × 25mm
Product Weight	22.5g
Package Weight	41.7g

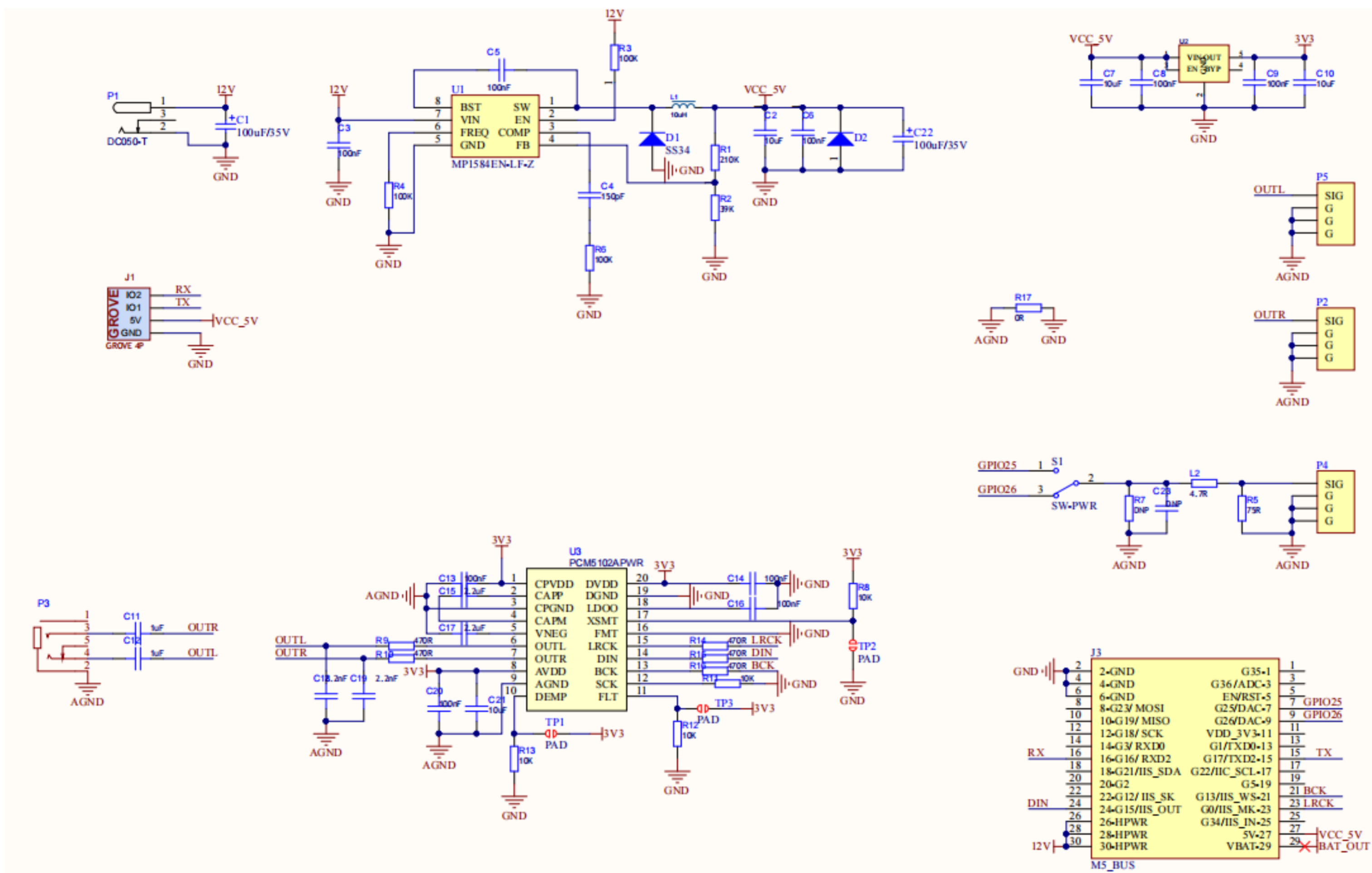




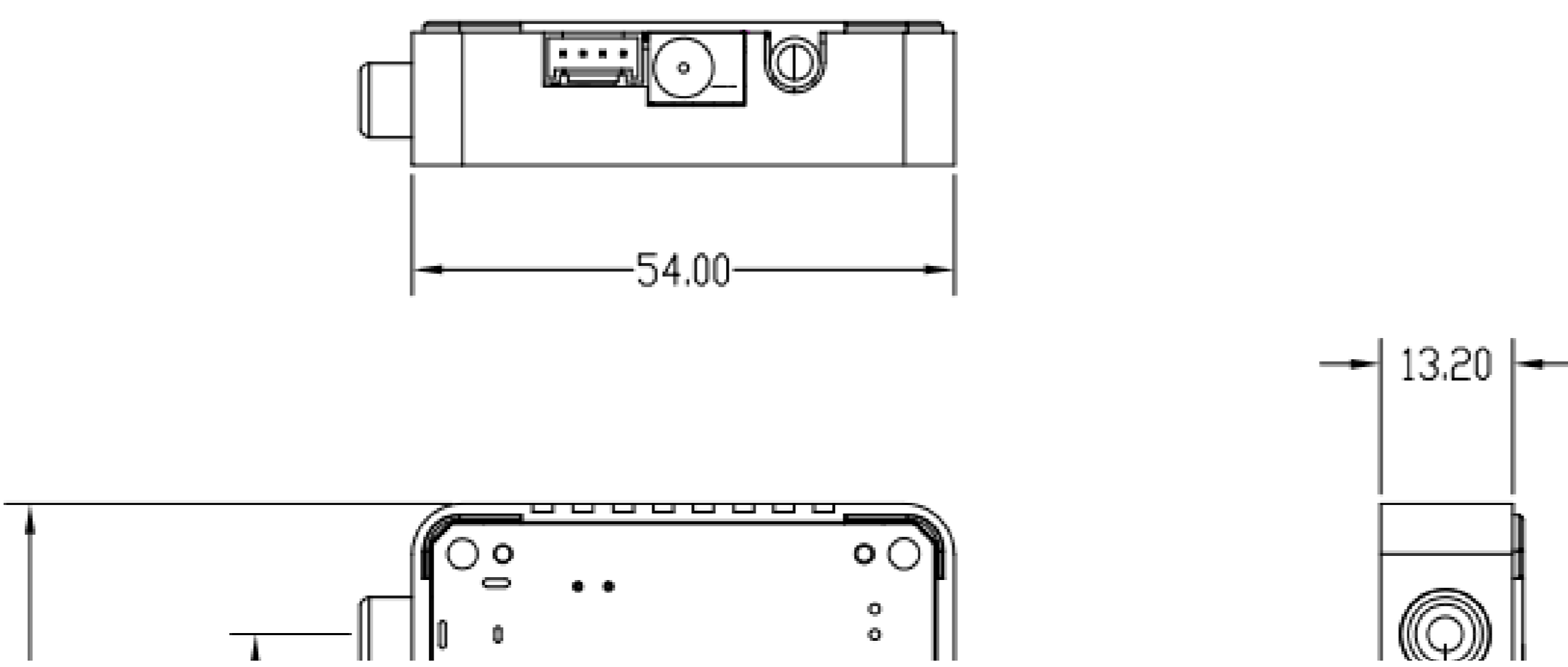
## Related Link

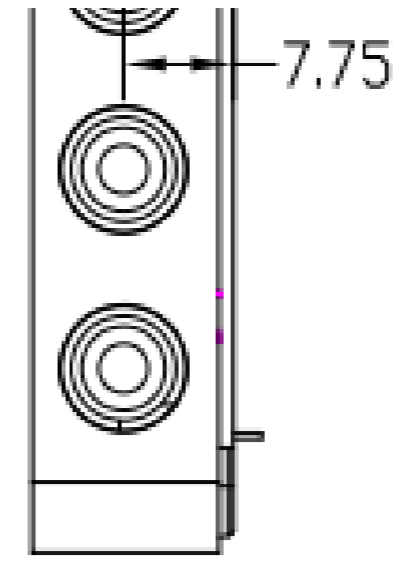
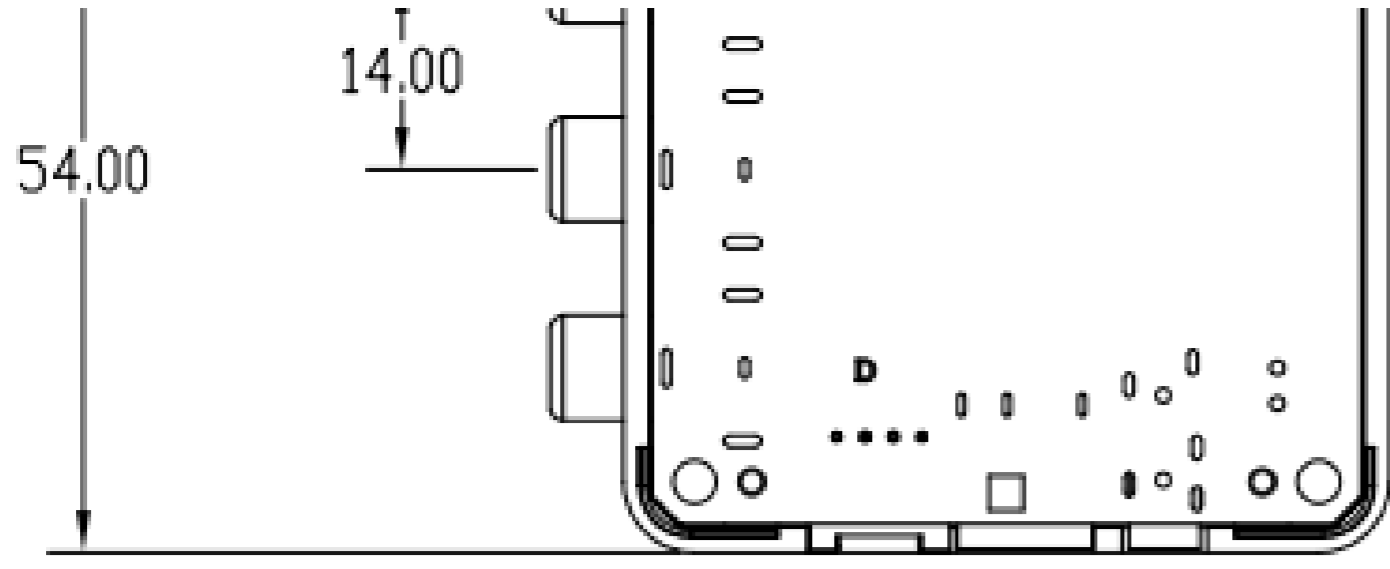
- [MP1584EN\\_LF\\_Z](#)
- [PCM5102APWR](#)

## Schematic



## Module Size





UNIT:mm

## Examples

### Arduino

- [Arduino Example](#)

