

# GN 709.3 | Locking elements with adjustable threaded pin

Steel



- 1
- 2
- 3
- 4
- 5
- 6
- 7
- 8
- 9
- 10
- 11
- 12
- 13
- 14
- 15
- 16
- 17
- 18

## MATERIAL

Hardened phosphated steel.

## ELASTIC ELEMENT

Polyurethane (PUR).

## STANDARD EXECUTIONS

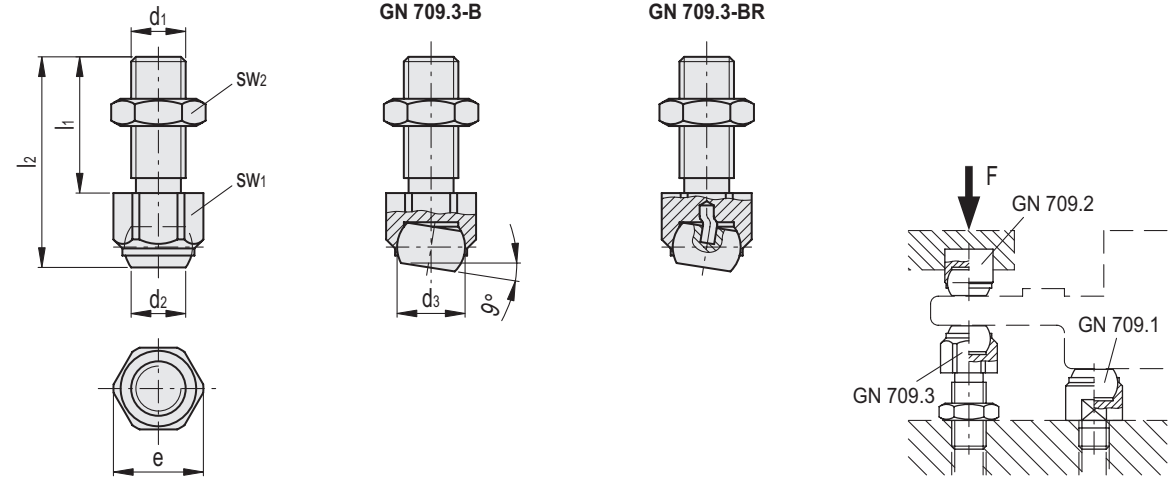
Hardened steel ball:

- **GN 709.3-B**: ball with smooth and flat face, not reversible.
- **GN 709.3-BR**: ball with smooth and flat face, not reversible, with automatic return.
- **GN 709.3-R**: ball with knurled and flat face, not reversible.
- **GN 709.3-RR**: ball with knurled and flat face, not reversible, with automatic return.

## FEATURES AND APPLICATIONS

GN 709.3 clamping elements are used as mobile supports or for clamping workpieces.

Maximum inclination of the ball plane = 9°.



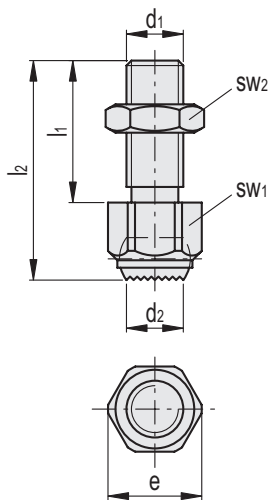
### GN 709.3-B

Code	Description	d1	d2	d3	l1	l2	sw1	sw2	e	Max. static load F [kN]	⚖️
GN.76151	GN 709.3-13-M8-B	M8	5.8	8.5	25	36.6	13	13	14.5	8	21
GN.76161	GN 709.3-17-M10-B	M10	8.6	12	30	45.7	17	17	19	8	55
GN.76171	GN 709.3-17-M12-B	M12	8.6	12	35	50.7	17	19	19	15	55
GN.76181	GN 709.3-24-M16-B	M16	10.5	16	40	60.7	24	24	27	25	115
GN.76191	GN 709.3-30-M20-B	M20	20	25	50	77.3	30	30	33	90	230
GN.76201	GN 709.3-36-M24-B	M24	20	25	70	100	36	36	40	90	435
GN.76211	GN 709.3-46-M30x1,5-B	M30x1.5	34.6	40	65	100	46	46	51	165	895

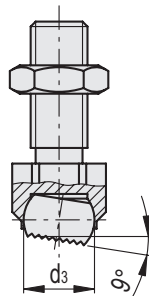
### GN 709.3-BR

Code	Description	d1	d2	d3	l1	l2	sw1	sw2	e	Max. static load F [kN]	⚖️
GN.76152	GN 709.3-13-M8-BR	M8	5.8	8.5	25	36.6	13	13	14.5	8	20
GN.76162	GN 709.3-17-M10-BR	M10	8.6	12	30	45.7	17	17	19	8	44
GN.76172	GN 709.3-17-M12-BR	M12	8.6	12	35	50.7	17	19	19	15	57
GN.76182	GN 709.3-24-M16-BR	M16	10.5	16	40	60.7	24	24	27	25	128
GN.76192	GN 709.3-30-M20-BR	M20	20	25	50	77.3	30	30	33	90	276
GN.76202	GN 709.3-36-M24-BR	M24	20	25	70	100	36	36	40	90	466
GN.76212	GN 709.3-46-M30x1,5-BR	M30x1.5	34.6	40	65	100	46	46	51	165	885

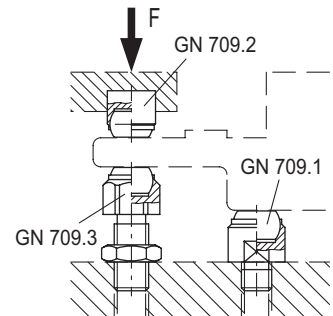
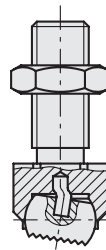
Machine elements



GN 709.3-R



GN 709.3-RR



GN 709.3-R

Code	Description	d1	d2	d3	l1	l2	sw1	sw2	e	Max. static load F [kN]	⚖️
GN.76156	GN 709.3-13-M8-R	M8	5.8	8.5	25	36.6	13	13	14.5	8	25
GN.76166	GN 709.3-17-M10-R	M10	8.6	12	30	45.7	17	17	19	8	55
GN.76176	GN 709.3-17-M12-R	M12	8.6	12	35	50.7	17	19	19	15	55
GN.76186	GN 709.3-24-M16-R	M16	10.5	16	40	60.7	24	24	27	25	115
GN.76196	GN 709.3-30-M20-R	M20	20	25	50	77.3	30	30	33	90	230
GN.76206	GN 709.3-36-M24-R	M24	20	25	70	100	36	36	40	90	435
GN.76216	GN 709.3-46-M30x1,5-R	M30x1.5	34.6	40	65	100	46	46	51	165	900

GN 709.3-RR

Code	Description	d1	d2	d3	l1	l2	sw1	sw2	e	Max. static load F [kN]	⚖️
GN.76157	GN 709.3-13-M8-RR	M8	5.8	8.5	25	36.6	13	13	14.5	8	20
GN.76167	GN 709.3-17-M10-RR	M10	8.6	12	30	45.7	17	17	19	8	44
GN.76177	GN 709.3-17-M12-RR	M12	8.6	12	35	50.7	17	19	19	15	56
GN.76187	GN 709.3-24-M16-RR	M16	10.5	16	40	60.7	24	24	27	25	128
GN.76197	GN 709.3-30-M20-RR	M20	20	25	50	77.3	30	30	33	90	275
GN.76207	GN 709.3-36-M24-RR	M24	20	25	70	100	36	36	40	90	465
GN.76217	GN 709.3-46-M30x1,5-RR	M30x1.5	34.6	40	65	100	46	46	51	165	883