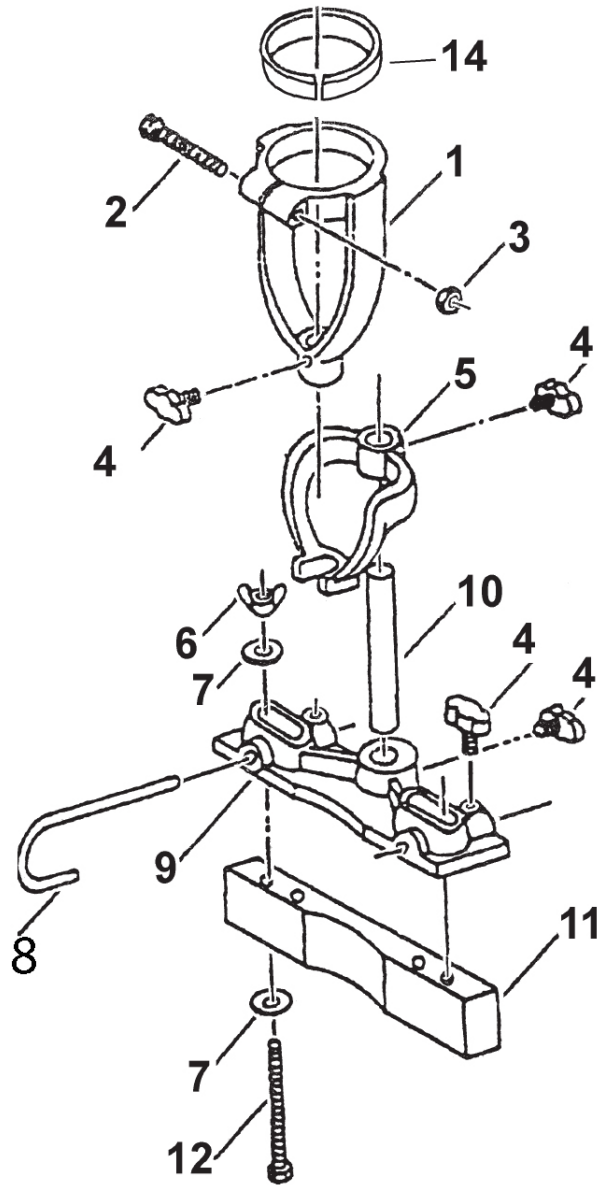


Parts Information:
**Wood Mortising Attachment 40-65mm
 with Chisels**
Model No: MA10.V2



Item	Part No.	Description
1	MA10.V2-01	CHISEL HOLDER
2	HHB860.S	HEX HEAD BOLT M8x60mm SINGLE
3	SN8.S	STEEL NUT M8 ZINC DIN934 (SINGLE)
4	MA10.V2-04	KNOB C/W THREADED STUD
5	MA10.V2-05	ARM
6	SN8.SW	WING NUT M8 (SINGLE)
7	RW825.S	REPAIR WASHER M8x25 (SINGLE)
8	MA10.V2-08	CURVED ROD
9	MA10.V2-09	ROD HOLDER
10	MA10.V2-10	STEEL ROD

Item	Part No.	Description
11	MA10.V2-11	FENCE
12	HHB8110.S	HEX HEAD BOLT M8x110mm SINGLE
14	MA10.V2-14A	REDUCER O.D-65mm,I.D-60mm
--	MA10.V2-14B	REDUCER O.D-65mm,I.D-55mm (NOT SHOWN)
--	MA10.V2-14C	REDUCER O.D-65mm,I.D-52mm (NOT SHOWN)
--	MA10.V2-14D	REDUCER O.D-65mm,I.D-40mm (NOT SHOWN)
--	MA10.V2-15	MORTISING CHISEL 1/4"(NOT SHOWN)
--	MA10.V2-16	MORTISING CHISEL 3/8"(NOT SHOWN)
--	MA10.V2-17	MORTISING CHISEL 1/2" (NOT SHOWN)

NOTE: It is our policy to continually improve products and as such we reserve the right to alter data, specifications and component parts without prior notice.

IMPORTANT: No liability is accepted for incorrect use of product.

WARRANTY: Guarantee is 12 months from purchase date, proof of which will be required for any claim.