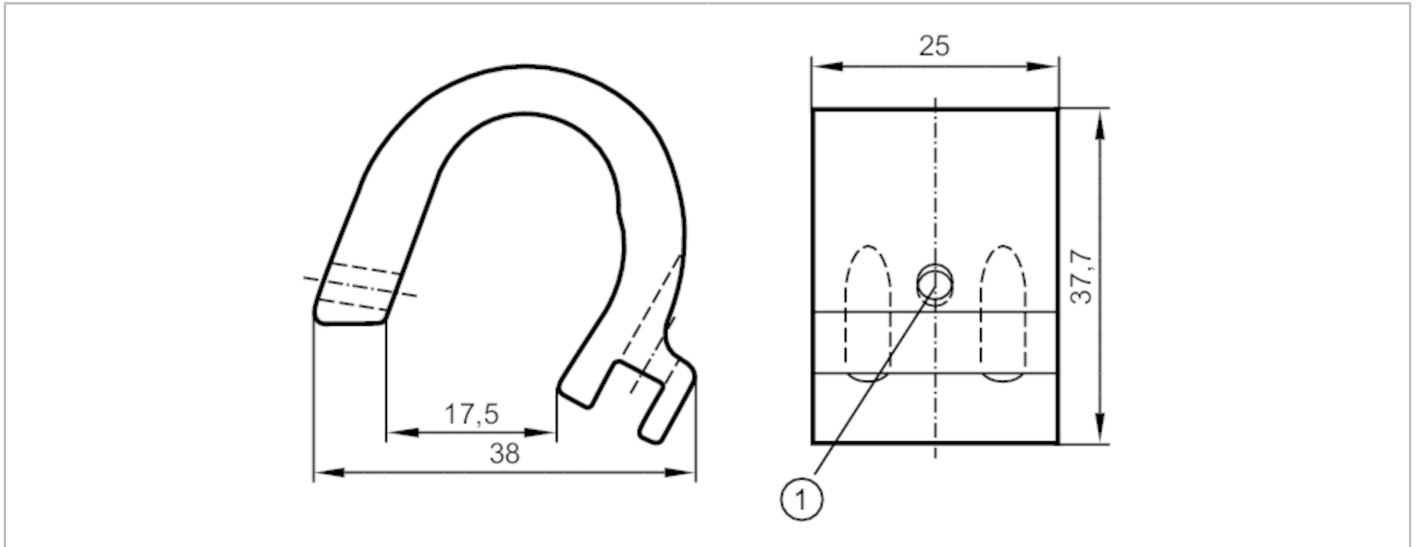


# E12233



## Mounting adapter for tie-rod/integrated profile cylinders

ADAPT TIE ROD/PROFILE



### Application

Design for types MKT, for types MKT

### Mechanical data

Weight [g] 30.4

Materials aluminium; screw: stainless steel

Clamping range [mm] 9...17

### Remarks

Pack quantity 1 pcs.