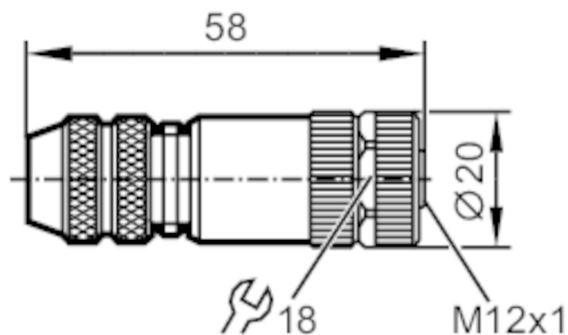


# E12672



## Wirable socket

SDOGX050ZDSFKPG



### Application

Special feature Gold-plated contacts

### Electrical data

Operating voltage [V] < 63 DC

Max. current load total [A] 16

### Operating conditions

Ambient temperature [°C] -40...85

Protection IP 67

### Mechanical data

Weight [g] 53.2

Dimensions [mm] Ø 25 / L = 70

Materials PA

Material nut diecast zinc , nickel-plated

### Remarks

Pack quantity 1 pcs.

### Electrical connection

screw terminals: 1.5...2.5 mm<sup>2</sup>; Cable sheath: Ø 8...13 mm



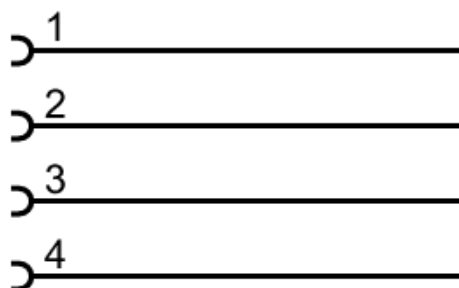
# E12672



## Wirable socket

SDOGX050ZDSFKPG

### Connection



### Electrical connection - socket

Connector: 1 x M12, straight; Moulded body: PA; Locking: diecast zinc , nickel-plated; Contacts: gold-plated