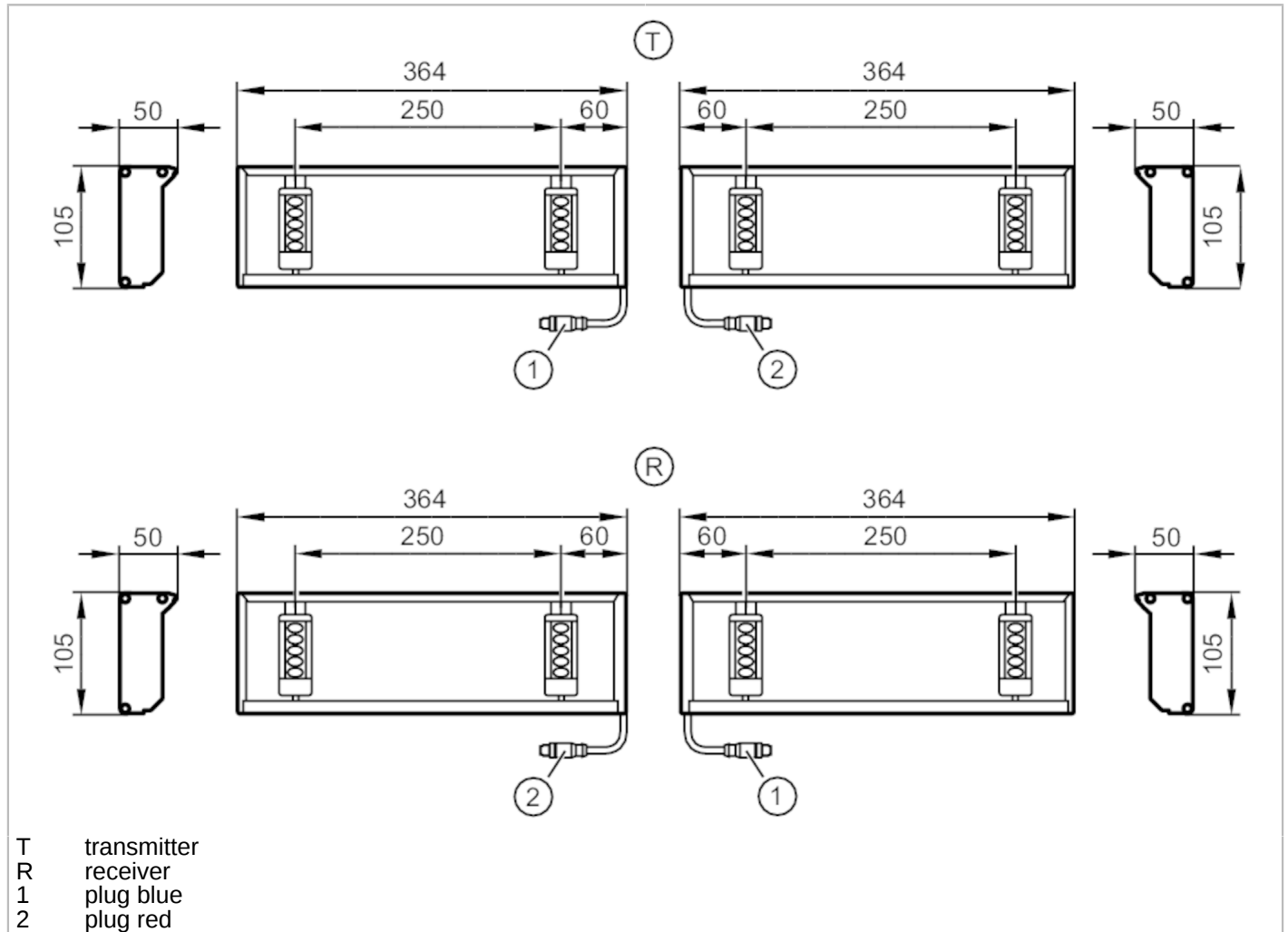


# EY5021



## Muting arm set

4P-THROUGH-MULTIBEAM-SENSORS



Product characteristics	
Type of light	infrared light
Application	
Design	sequential muting with four parallel multi-beam light barriers
Function principle	Through-beam sensor
Electrical data	
Operating voltage [V]	19.2...28.8 DC
Current consumption [mA]	60
Protection class	III
Reverse polarity protection	yes
Type of light	infrared light
Wave length [nm]	940

# EY5021



## Muting arm set

4P-THROUGH-MULTIBEAM-SENSORS

Outputs		
Electrical design		PNP
Output function		dark-on mode
Max. voltage drop switching output DC	[V]	0.5
Permanent current rating of switching output DC	[mA]	100
Short-circuit protection		yes
Overload protection		yes
Detection zone		
Range	[m]	< 3.5
Operating conditions		
Ambient temperature	[°C]	-30...55
Protection		IP 65
Tests / approvals		
EMC		EN 60947-5-2
Mechanical data		
Weight	[g]	4310
Materials		aluminium; polypropylene
Lens material		polycarbonate-ABS
Displays / operating elements		
Display	transmitter	LED, yellow
	receiver	LED, green/red
Remarks		
Pack quantity		4 pcs.