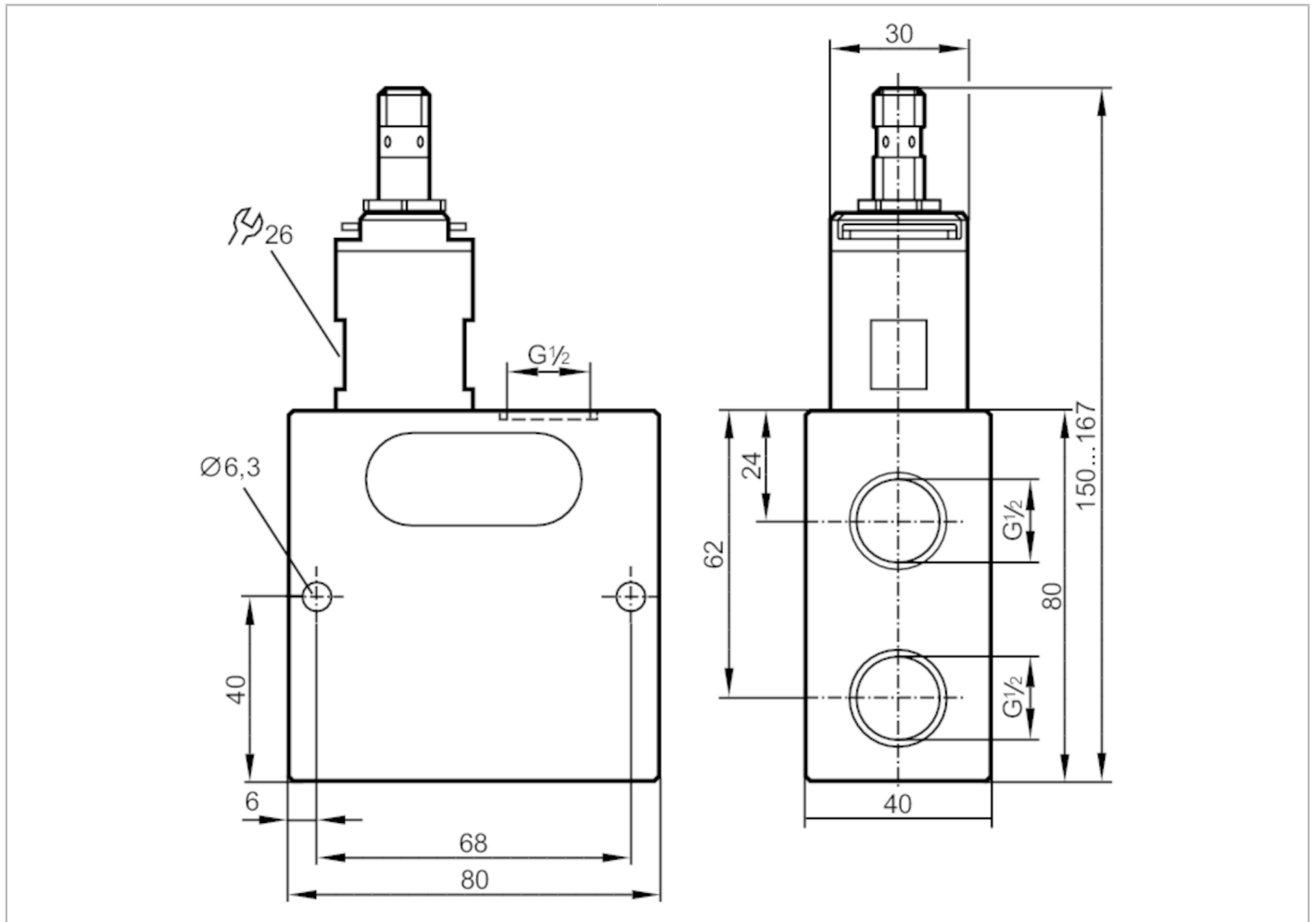


SBU323



Flow sensor with integrated backflow prevention

SBU12DI0BPKG/US



Product characteristics

Number of inputs and outputs	Number of digital outputs: 1
Process connection	G 1/2

Application

Application	machine tools; Internal cooling of drill
Medium temperature [°C]	0...60
Pressure rating [bar]	200

Electrical data

Operating voltage [V]	10...30 DC; (to SELV/PELV)
Current consumption [mA]	< 15
Protection class	III
Reverse polarity protection	yes

Inputs / outputs

Number of inputs and outputs	Number of digital outputs: 1
------------------------------	------------------------------



Flow sensor with integrated backflow prevention

SBU12DI0BPKG/US

Outputs		
Total number of outputs		1
Output signal		switching signal
Electrical design		PNP
Number of digital outputs		1
Output function		normally open
Max. voltage drop switching output DC	[V]	2.5
Permanent current rating of switching output DC	[mA]	100
Short-circuit protection		yes
Overload protection		yes
Measuring/setting range		
Flow range	[l/min]	75
Setting range	[l/min]	0.3...25
Accuracy / deviations		
Repeatability	[% of the final value]	1
Hysteresis	[l/min]	0,1...1
Measuring error	[% of the final value]	± 5
Response times		
Response time	[s]	< 0.01
Operating conditions		
Ambient temperature	[°C]	0...60
Storage temperature	[°C]	-15...80
Protection		IP 65; IP 67
Tests / approvals		
EMC		DIN EN 61000-6-2
		DIN EN 61000-6-3
Shock resistance		20 g (11 ms)
Vibration resistance		5 g (10...2000 Hz)
MTTF	[years]	15.78
Mechanical data		
Weight	[g]	767
Materials		aluminium anodised; PA
Materials (wetted parts)		stainless steel (1.4310 / 301); stainless steel (1.4301 / 304); aluminium anodised; PBT; PU; O-ring: FKM
Process connection		G 1/2
Switching cycles mechanical		10 million
Displays / operating elements		
Display	switching status	4 x LED, yellow
Accessories		
Accessories (supplied)		sealing plugs

SBU323



Flow sensor with integrated backflow prevention

SBU12DI0BPKG/US

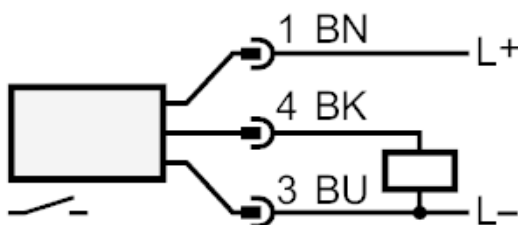
Remarks	
Remarks	Temperature changes slightly affect the specified standard settings for coolants. For oils, the settings are influenced by temperature and viscosity. Recommendation Use 200 micron filtration All data refer to coolants (20 °C).
Pack quantity	1 pcs.

Electrical connection

Connector: 1 x M12



Connection



colours to DIN EN 60947-5-2

Core colours :

- BK = black
- BN = brown
- BU = blue