

MOTOR SUPPRESSOR

RC, 3x575VAC/45kW

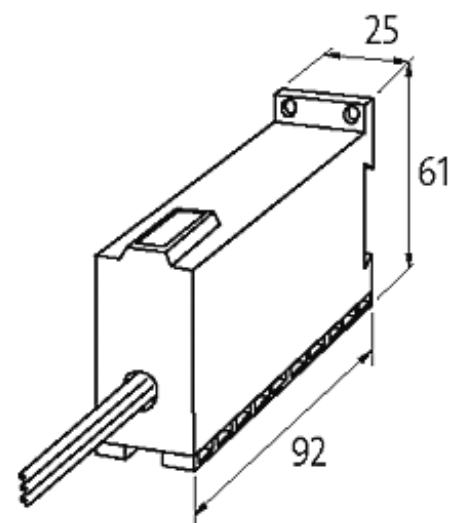
RC single

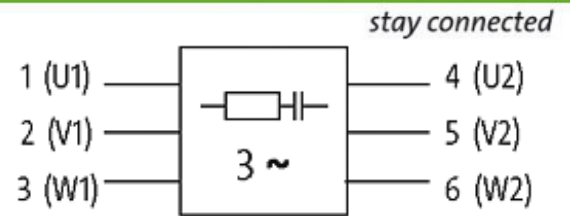
1 suppression module per phase required

For DIN-rail mounting use 2 × Art.- No. 20900 adapter feet Suppressors for other voltages, frequencies, and motor ratings available on request. Do not use RC motor suppressors with frequency inverters. 1 suppression module per phase required

[Link to Product](#)

Illustration





RC-(1) per phase

Product may differ from Image

Technical Data

Material	Flame retardant plastic acc. to (UL 94)
Potting compound	2-component epoxy
Frequency	50...60 Hz

General data

Connection	approx. 500 mm, single cores 1 mm ²
Temperature range	-20...+60 °C
Dimensions H × W × D	92×61×25 mm

Commercial data

country of origin	CZ
customs tariff number	85363010
minimum order quantity	1