



**Model Number**

**V1-4/8A-E2**

Splitter box quadruple, twin configuration, with cage-clamp terminals

**Features**

- Fast, simple installation with cage clamp terminals
- Twin communication of the plug-in stations
- LED indicator for module supply and I/O status

**Accessories**

**VAZ-V1-B3**

Blind plug for M12 sockets

**MH 05-SACB-4**

Mounting aid for DIN rail

**V15S-T-V15**

Y distributor, M12 connector on M12 socket/socket

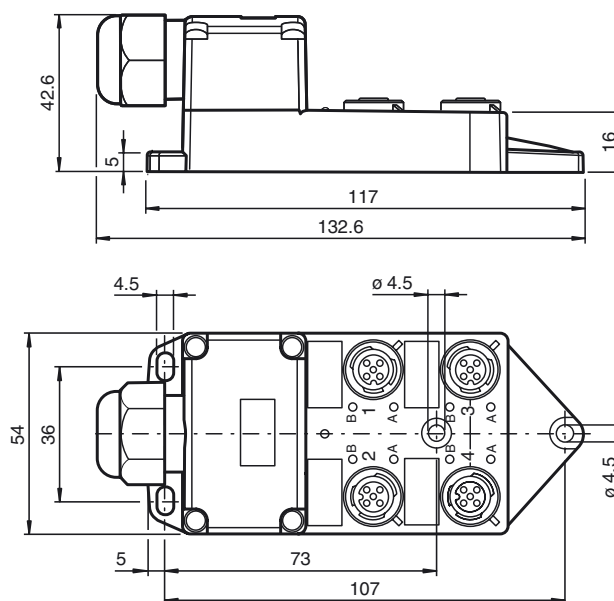
**MH V1-SCREWDRIVER**

torque screwdriver (0.4 Nm)

**MH V1-BIT M12**

plug-in cap M12

**Dimensions**



**Technical data**

**General specifications**

Number of pins	5
----------------	---

**Indicators/operating means**

LED green	supply voltage each module
LED yellow	I/O status indication

**Electrical specifications**

Operating voltage	$U_B$	24 V DC, max. 30 V DC
Operating current	$I_B$	≤ 5 mA per channel indication element
Current loading capacity		≤ 2 A per channel, ≤ 4 A per plug-in station, ≤ 8 A total current per distributor

**Ambient conditions**

Ambient temperature	-25 ... 80 °C (-13 ... 176 °F)
---------------------	--------------------------------

**Mechanical specifications**

Connection type	4 x socket M12 x 1 5-pin 1 x terminal compartment
Degree of protection	IP65/IP67
Connection	Signal and energy: Cage tension spring terminals flexible: 0.2 mm <sup>2</sup> ... 1 mm <sup>2</sup> rigid: 0.2 mm <sup>2</sup> ... 1.5 mm <sup>2</sup> Sensor/actuator: 5-pin, M12 x 1 socket

**Material**

Contacts	Cu alloy
Contact surface	Au
Housing	PBT
Threaded bushings	PBT
Seal	O-ring: NBR

**Cable**

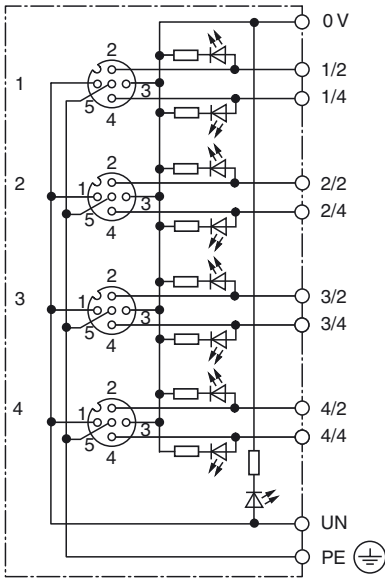
Sheath diameter	7 mm ... 12 mm
Flammability	94 V-0

**Compliance with standards and directives**

Standard conformity	
Degree of protection	EN 60529
Flammability	UL 94

Release date: 2014-10-30 11:55 Date of issue: 2015-02-05 259973\_eng.xml

Electrical connection



Slot/Pin (signal)	Terminal
1 / 4 (A)	1 / 4
1 / 2 (B)	1 / 2
2 / 4 (A)	2 / 4
2 / 2 (B)	2 / 2
3 / 4 (A)	3 / 4
3 / 2 (B)	3 / 2
4 / 4 (A)	4 / 4
4 / 2 (B)	4 / 2
1-4 / 1 (UN)	UN
1-4 / 3 (0V)	0V
1-4 / 5 (PE)	PE

