



LED COVER FOR POSITION SWITCH POSITION SWITCH METAL 3SE51, 2 LEDS, YELLOW/GREEN, 24 V DC, COLOR TURQUOISE

|                     |  |
|---------------------|--|
| Product designation | Cover (plastic) for housing EN50041+LED 24 V DC, turquoise |
|---------------------|--|

**General technical data:**

|  |              |
|--|--------------|
| Degree of pollution                    | class 3      |
| Shock resistance                       | 30g / 11 ms  |
| Vibration resistance                   | 0.35 mm / 5g |
| Protection class IP                    | IP66/IP67    |
| Explosion protection category for dust | none         |
| Explosion protection category for gas  | none         |

**Enclosure:**

|                          |               |
|--------------------------|---------------|
| Design of the housing    | block, narrow |
| Coating of the enclosure | Other types   |

**Drive Head:**

|                                   |         |
|-----------------------------------|---------|
| Design of the operating mechanism | without |
|-----------------------------------|---------|

**Communication/ Protocol:**

|                         |         |
|-------------------------|---------|
| Design of the interface | without |
|-------------------------|---------|

**Ambient conditions:**

|                            |    |             |
|----------------------------|----|-------------|
| <b>Ambient temperature</b> |    |             |
| • during operation         | °C | -25 ... +60 |
| • during storage           | °C | -40 ... +90 |

**Supply voltage:**

|  |    |
|--|----|
| <b>Type of voltage of the supply voltage</b> |    |
| • of the optional LED indicator              | DC |

|                |   |    |
|----------------|---|----|
| Supply voltage |   |    |
| • of LED       | V | 24 |

Installation/ mounting/ dimensions:

|                   |  |              |
|-------------------|--|--------------|
| mounting position |  | any          |
| Mounting type     |  | screw fixing |

Certificates/ approvals:

|                          |                           |       |
|--------------------------|---------------------------|-------|
| General Product Approval | Declaration of Conformity | other |
|--------------------------|---------------------------|-------|



[Confirmation](#)

Further information

Information- and Downloadcenter (Catalogs, Brochures,...)

<http://www.siemens.com/industrial-controls/catalogs>

Industry Mall (Online ordering system)

<http://www.siemens.com/industrymall>

Cax online generator

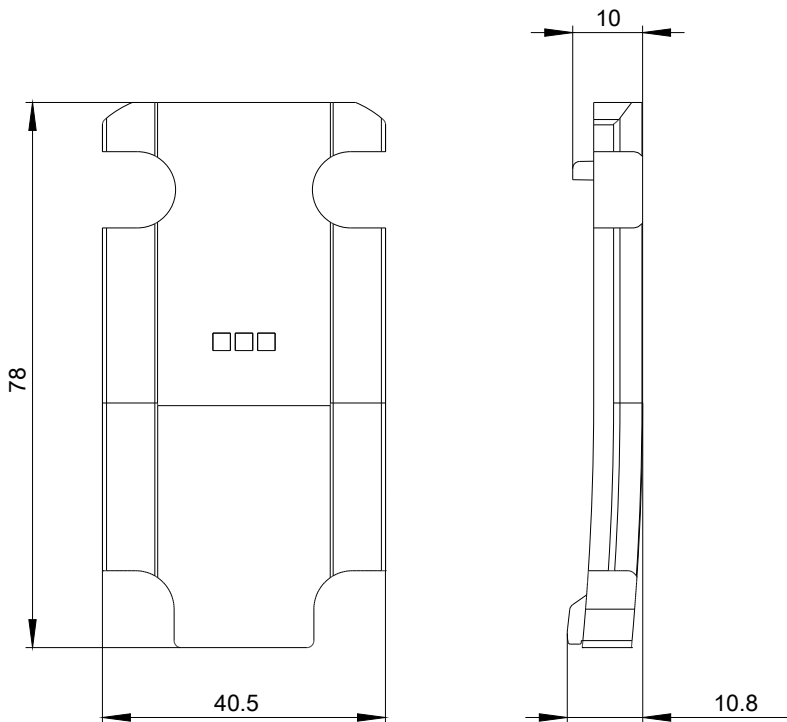
<http://support.automation.siemens.com/WW/CAXorder/default.aspx?lang=en&mlfb=3SE51301AA00>

Service&Support (Manuals, Certificates, Characteristics, FAQs,...)

<http://support.automation.siemens.com/WW/view/en/3SE51301AA00/all>

Image database (product images, 2D dimension drawings, 3D models, device circuit diagrams, EPLAN macros, ...)

[http://www.automation.siemens.com/bilddb/cax\\_de.aspx?mlfb=3SE51301AA00&lang=en](http://www.automation.siemens.com/bilddb/cax_de.aspx?mlfb=3SE51301AA00&lang=en)



**last modified:**

16.03.2015