

SUPPORT TERMINAL, BLACK, SPRING-TYPE TERMINALS, FOR FRONT PLATE MOUNTING



Figure similar

Product brand name	SIRIUS ACT
Product designation	Support terminal
Product type designation	3SU1

General technical data	
Suitability for integration	yes
Degree of pollution	3
Surge voltage resistance rated value	6 kV
Protection class IP	
• of the enclosure	IP40
• of the terminal	IP20
Equipment marking	
• acc. to DIN EN 61346-2	S
• acc. to DIN EN 81346-2	S

Connections/Terminals	
Type of electrical connection	spring-loaded terminals
• of modules and accessories	Spring-type terminal

## Ambient conditions

### Ambient temperature

- during operation -25 ... +70 °C
- during storage -40 ... +80 °C

## Installation/ mounting/ dimensions

### Mounting type

- of modules and accessories Front mounting

Height 36 mm

Width 9.8 mm

Depth 23.4 mm

## Certificates/approvals

### General Product Approval



### Declaration of Conformity



### Test Certificates

[Declaration of the Compliance with the order](#)

[Special Test Certificate](#)

### other

[Confirmation](#)

## Further information

### Information- and Downloadcenter (Catalogs, Brochures,...)

<http://www.siemens.com/industrial-controls/catalogs>

### Industry Mall (Online ordering system)

<https://mall.industry.siemens.com/mall/en/en/Catalog/product?mlfb=3SU1400-1DA10-3AA0>

### Cax online generator

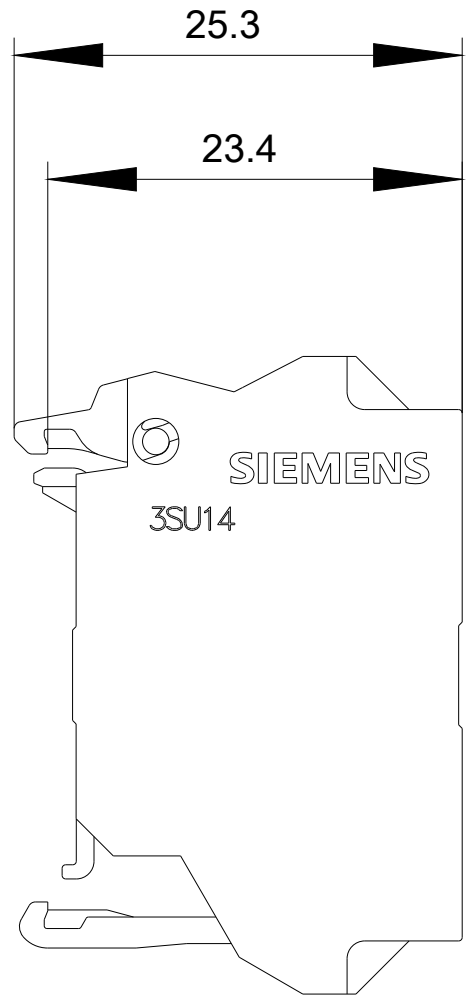
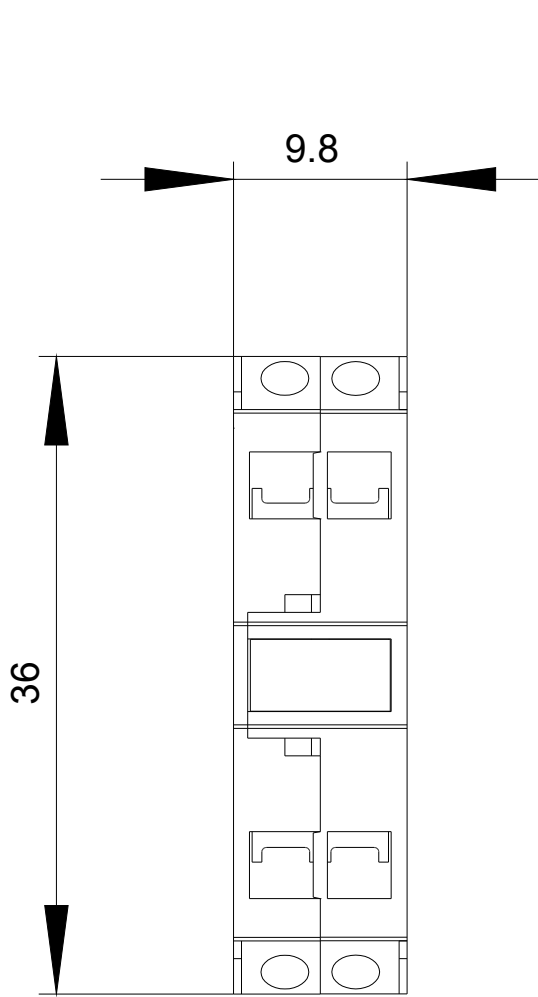
<http://support.automation.siemens.com/WW/CAXorder/default.aspx?lang=en&mlfb=3SU1400-1DA10-3AA0>

### Service&Support (Manuals, Certificates, Characteristics, FAQs,...)

<https://support.industry.siemens.com/cs/ww/en/ps/3SU1400-1DA10-3AA0>

### Image database (product images, 2D dimension drawings, 3D models, device circuit diagrams, EPLAN macros, ...)

[http://www.automation.siemens.com/bilddb/cax\\_de.aspx?mlfb=3SU1400-1DA10-3AA0&lang=en](http://www.automation.siemens.com/bilddb/cax_de.aspx?mlfb=3SU1400-1DA10-3AA0&lang=en)



last modified:

09/25/2017