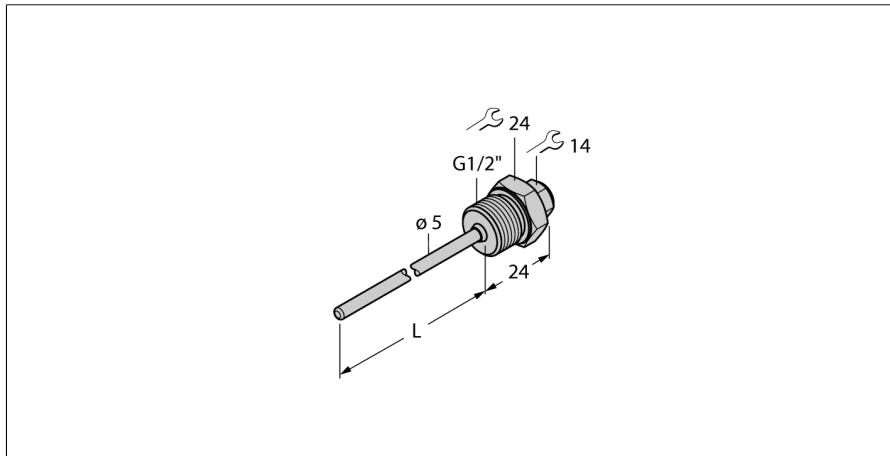


Temperature measurement
Accessories thermowell
THW-3-G1/2-A4-L300



- Thermowell for mounting TS203 probes
- Process connection G1/2" male thread

General description

Thermowells are used for unpressurized mounting of probes. They protect the probes against direct contact with the medium. The probe can be replaced without interrupting the process.

Type designation	THW-3-G1/2-A4-L300
Ident no.	9910732
Temperature range	-50...350 °C
Temperature operating range	-58...662 °F
Immersion depth (L)	300 mm
Housing	
Housing material	Stainless steel 1.4404 (AISI 316L), V4A (1.4404)
Process connection	G1/2" male thread
Pressure resistance	400 bar
Max. tightening torque housing nut	100 Nm