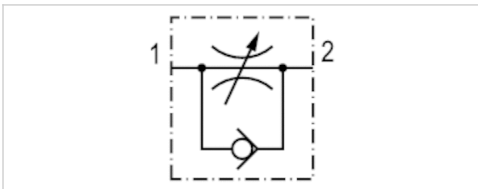


# Series CC01

- Qn 1►2 = 0.032-5.69 Cv
- direction of throttle 1 ► 2, 2 ► 1
- Internal thread / Internal thread



Working pressure min./max.	8 ... 145 psi
Ambient temperature min./max.	32 ... 176 °F
Medium temperature min./max.	32 ... 176 °F
Medium	Compressed air
Weight	See table below



## Technical data

Part No.	Port 1	Port 2	Throttle bore	Flow	Weight	Fig.
			Ø	Qn 1►2		
0821200009	G 1/8	G 1/8	1 mm	0.032 Cv	0.088 lbs	Fig. 1
0821200008	G 1/8	G 1/8	2 mm	0.132 Cv	0.088 lbs	Fig. 1
0821200005	G 1/4	G 1/4	4 mm	0.559 Cv	0.331 lbs	Fig. 1
0821200014	G 3/8	G 3/8	9 mm	1.63 Cv	0.573 lbs	Fig. 2
0821200003	G 1/2	G 1/2	8.5 mm	2.79 Cv	1.48 lbs	Fig. 3
0821200015	G 3/4	G 3/4	17.5 mm	5.49 Cv	1.41 lbs	Fig. 4
0821200016	G 1	G 1	17.5 mm	5.69 Cv	1.41 lbs	Fig. 4

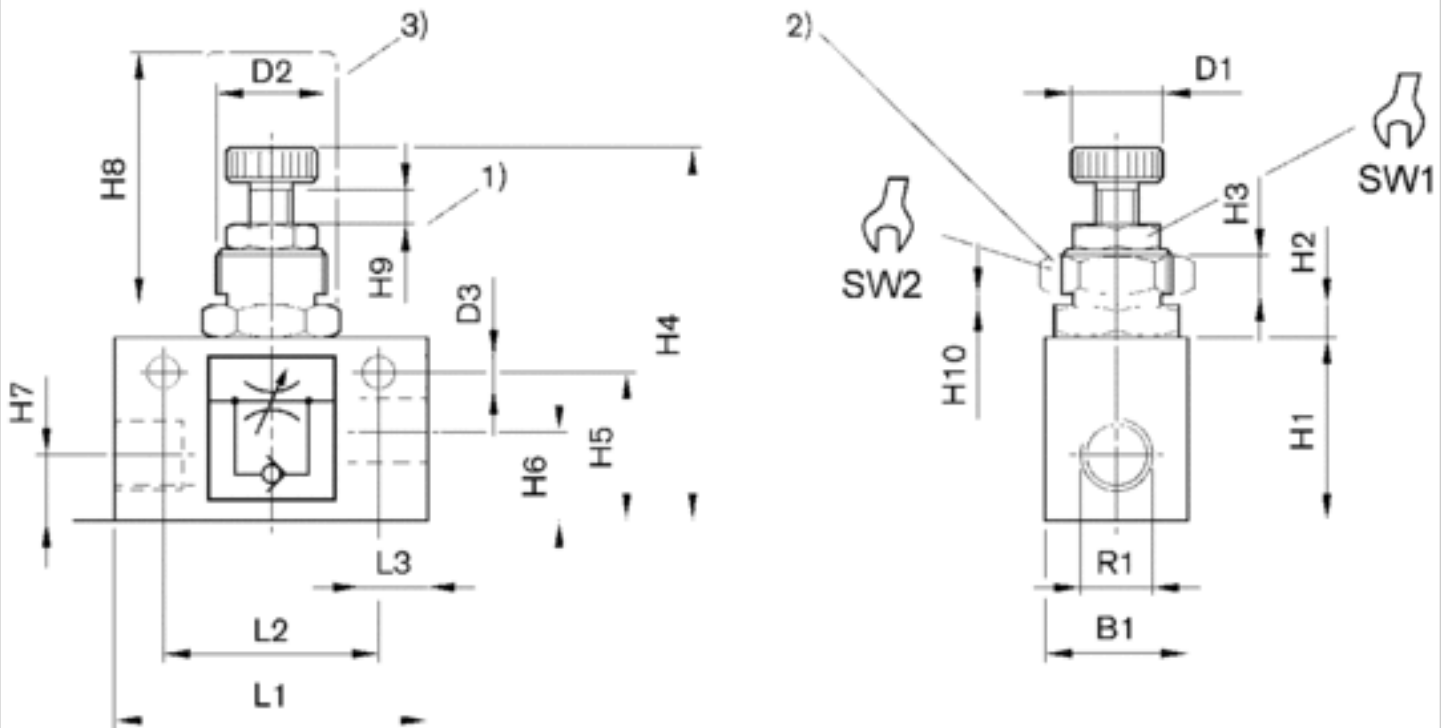
Nominal flow Qn at 87 psi and  $\Delta p = 14.5$  psi

## Technical information

Material	
Housing	Aluminum, anodized
Flow control screw	Steel, galvanized
Seals	Acrylonitrile butadiene rubber

## Dimensions

Fig. 1



- 1) throttle setting range
- 2) nut for control panel installation
- 3) protective cap

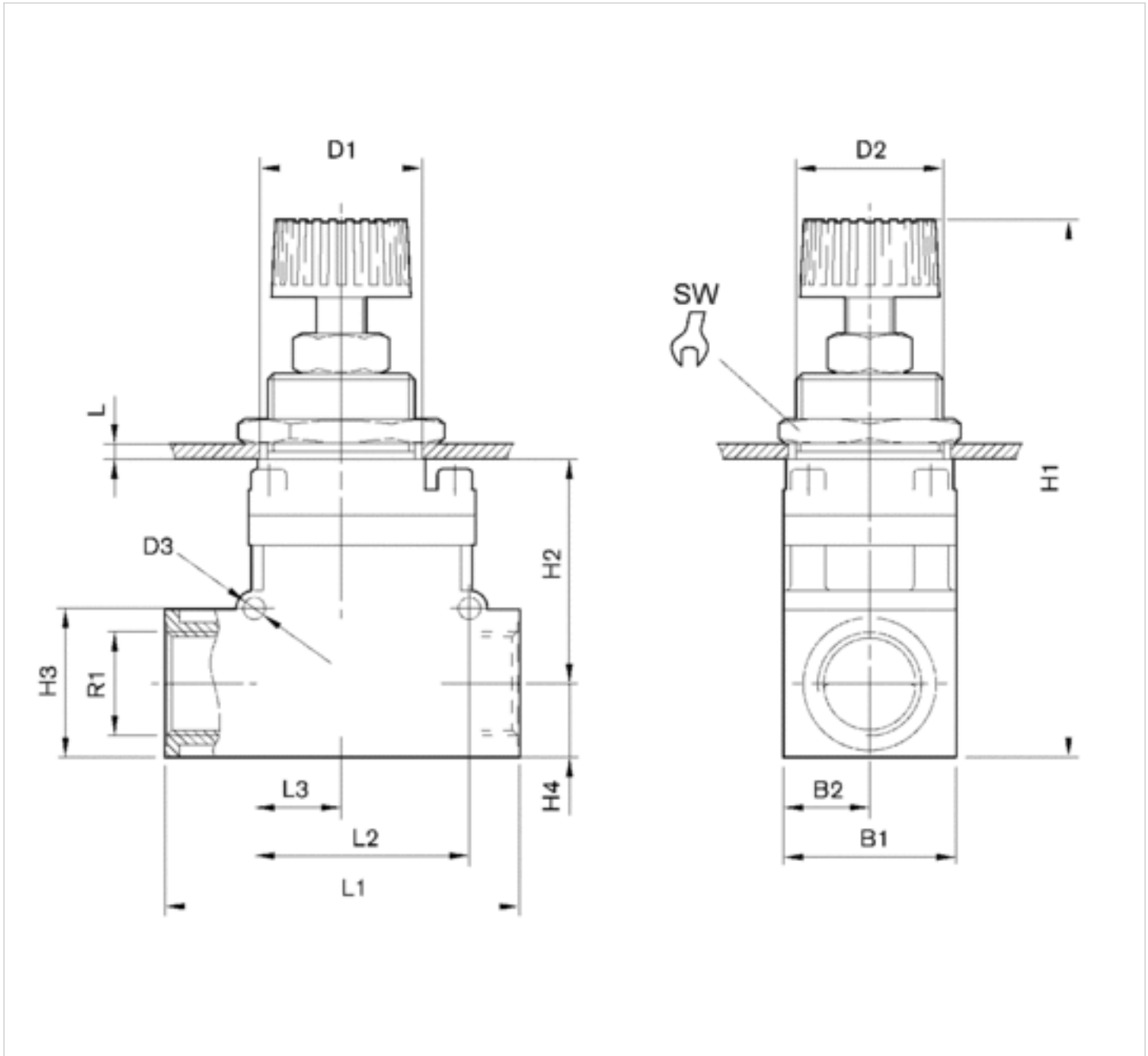
## Dimensions

Part No.	Port G	R1	B1	D1	D2	D3	H1	H2	H3	H4	H5	H6	H7	H8	H9	H10	L1	L2	L3	SW1
0821200009	G 1/8	G 1/8	16	10	M12x1	4.5	20	4	4	56	16.5	8	8	35	4	3.5	35	25	8	10
0821200008	G 1/8	G 1/8	16	10	M12x1	4.5	20	4	4	56	16.5	8	8	35	4	3.5	35	25	8	10
0821200005	G 1/4	G 1/4	25	13	M20x1,5	5.5	32	5.5	6	70	26	15	11	40	5	3.5	55	38	12	13

	SW2
	17
	17
	24

Dimensions

Fig. 2



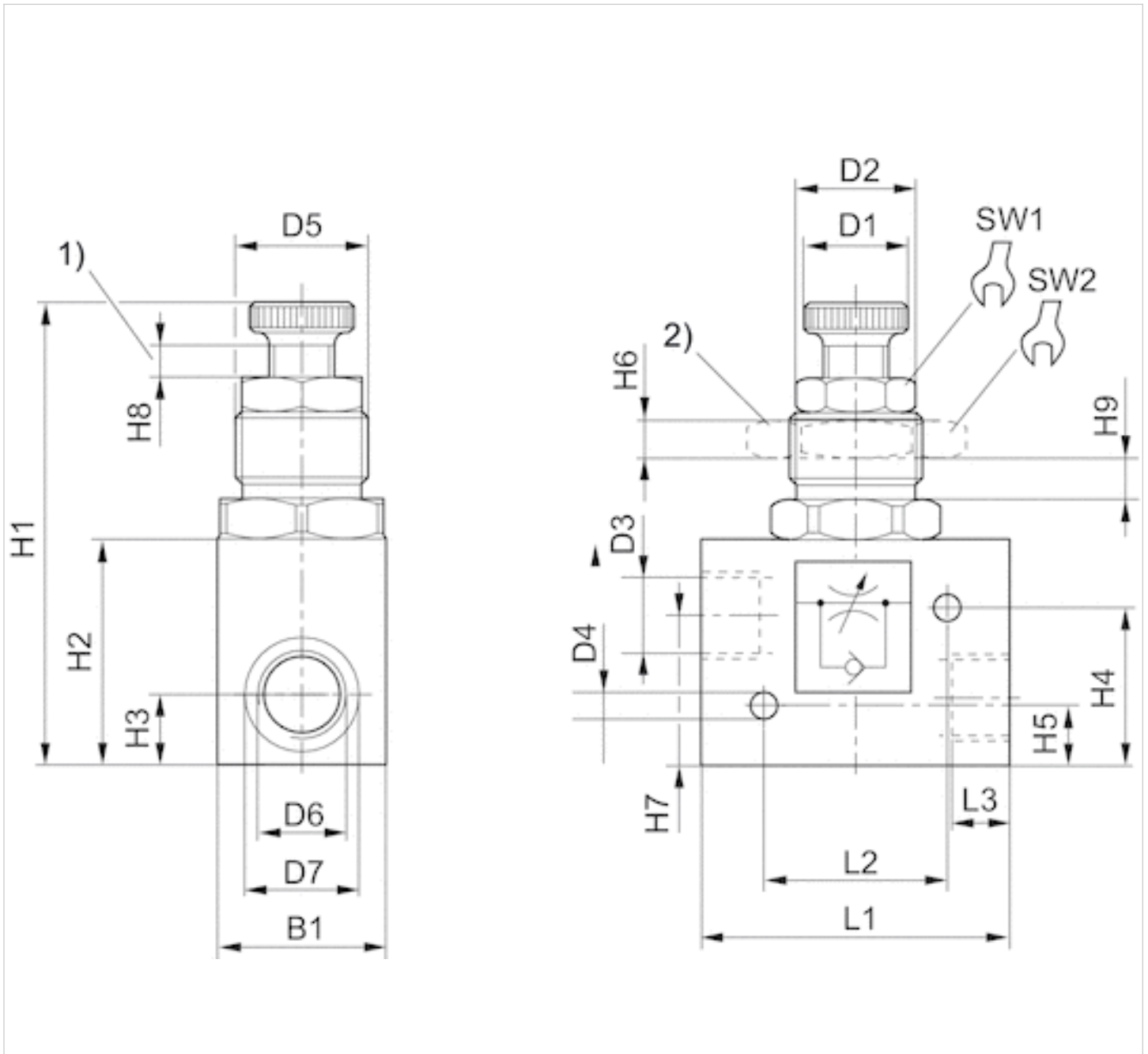
Dimensions

Part No.	Port G	R1	B1	B2	D1	D2	D3	H1	H2	H3	H4	L 1)	L1	L2	L3	SW
0821200014	G 3/8	G 3/8	35	17.5	30.5	30	4.5	102-109	46	30	15	12	72	44	18	36

1) Max.

## Dimensions

Fig. 3



- 1) throttle setting range
- 2) nut for control panel installation

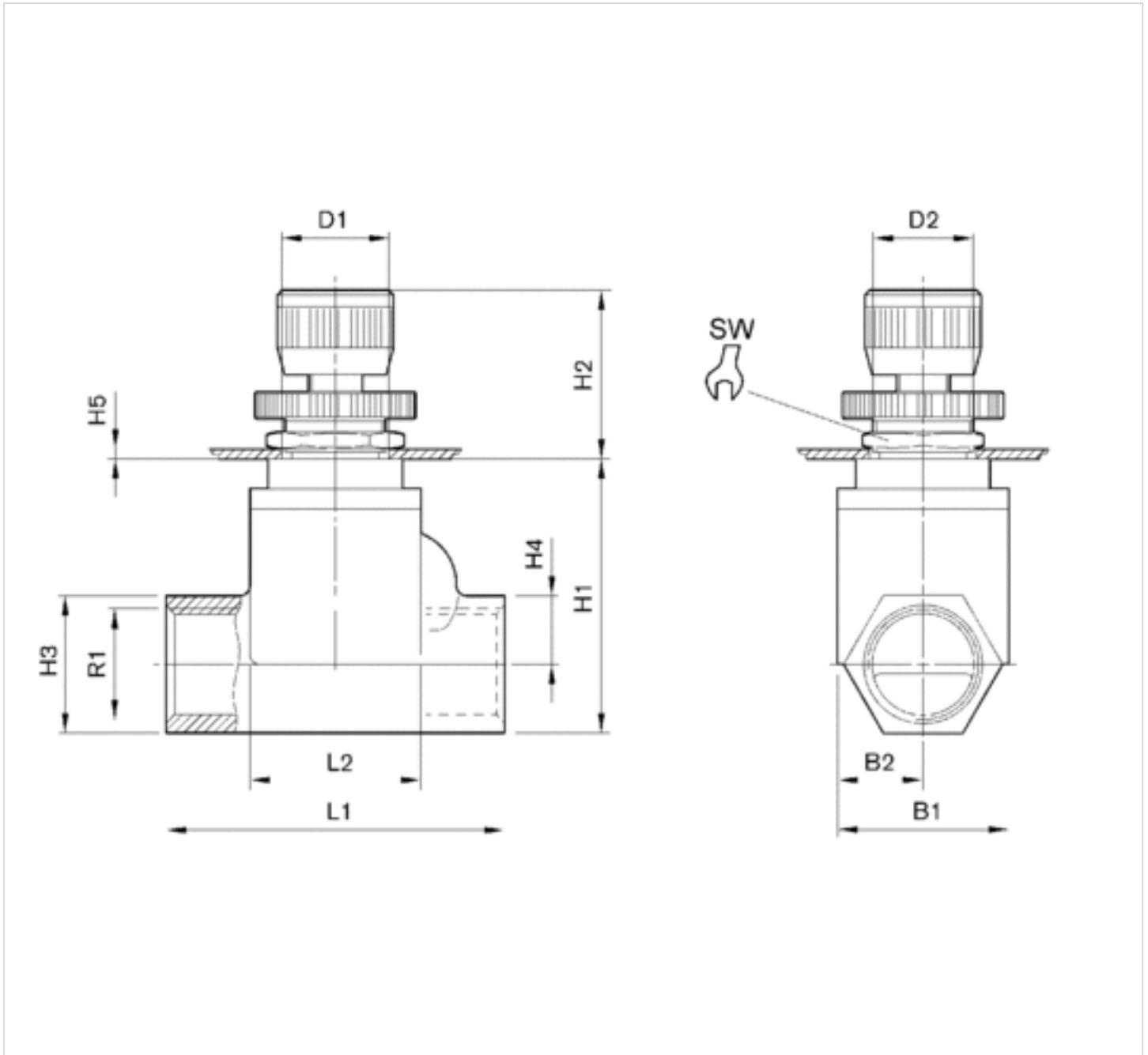
## Dimensions

Part No.	Port G	R1	B1	D1	D2	D3	H1	H2	H3	H4	H5	H6	H7	H8	H9	H10 1)	L1	L2	L3
0821200003	G 1/2	G 1/2	40	27	25	27.5	120	50	17	40.5	15.5	9	38	6.5	8	9	75.3	45	14
R2		SW1		SW2		Weight kg													
M32x1,5		24		46		1.48 lbs													

1) Max.

## Dimensions

Fig. 4



## Dimensions

Part No.	Port G	R1	B1	B2	D1	D2	H1	H2	H3	H4	H5 1)	L1	L2	SW
0821200015	G 3/4	G 3/4	50	25	30.5	30	82	47-57,5	41	20.5	6	100	51	36
0821200016	G 1	G 1	50	25	30.5	30	82	47-57,5	41	20.5	6	100	51	36

1) Max.