

Chain Tensioners SPANN-BOX® Size 1, for Roller Chains DIN ISO 606 (formerly DIN 8187)

Material: Housing from steel, zinc-plated, black lacquered.
Chain rider from ultra-high-molecular polyethylene PE-UHMW.
Material Version Stainless: Housing from stainless steel.

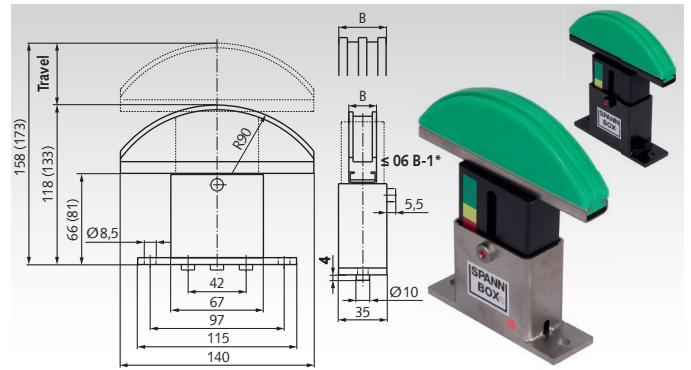


These ready-to-install tensioners enable noise reduction and wear reduction at chain drives.

- With three springs. On choice: Two tensioning force versions. At both versions, three different forces can get activated.
- With colored wear-off indicator: Green: o.k. Yellow: still o.k. Red: Tensioning force too low.
- Usable travel up to the end of the yellow range: About 32mm. Total travel about 40 mm.
- Interchangeable with similar parts of other suppliers.

Temperature range: -20°C to +60°C (short time up to +80°C).

Ordering Details: e.g.: Product No. 140 403 01, Spann-Box Size 1, Short, Low Force, 06 B-1



SPANN-BOX® Size 1, Short, Low Force

Product No.	DIN ISO	Pitch Inch	B mm	H mm	Weight g
140 403 01*	≤06 B-1	3/8 x 7/32"	20	118	670
140 403 05	08 B-1	1/2 x 5/16"	20	118	670
140 403 06	10 B-1	5/8 x 3/8"	20	118	670
140 403 07	12 B-1	3/4 x 7/16"	20	118	670
140 403 08	16 B-1	1" x 17,02	20	118	670
140 403 09	20 B-1	1 1/4 x 3/4"	20	118	670
140 403 21	06 B-2	3/8 x 7/32"	20	118	670
140 403 25	08 B-2	1/2 x 5/16"	20	118	670
140 403 26	10 B-2	5/8 x 3/8"	25	118	750
140 403 27	12 B-2	3/4 x 7/16"	30	118	750
140 403 28	16 B-2	1" x 17,02	45	118	820
140 403 31	06 B-3	3/8 x 7/32"	25	118	740
140 403 35	08 B-3	1/2 x 5/16"	30	118	750
140 403 36	10 B-3	5/8 x 3/8"	40	118	790
140 403 37	12 B-3	3/4 x 7/16"	45	118	810

SPANN-BOX® Size 1, Short, High Force

Product No.	DIN ISO	Pitch Inch	B mm	H mm	Weight g
140 404 01*	≤06 B-1	3/8 x 7/32"	20	118	670
140 404 05	08 B-1	1/2 x 5/16"	20	118	670
140 404 06	10 B-1	5/8 x 3/8"	20	118	670
140 404 07	12 B-1	3/4 x 7/16"	20	118	670
140 404 08	16 B-1	1" x 17,02	20	118	670
140 404 09	20 B-1	1 1/4 x 3/4"	20	118	670
140 404 21	06 B-2	3/8 x 7/32"	20	118	670
140 404 25	08 B-2	1/2 x 5/16"	20	118	670
140 404 26	10 B-2	5/8 x 3/8"	25	118	750
140 404 27	12 B-2	3/4 x 7/16"	30	118	750
140 404 28	16 B-2	1" x 17,02	45	118	820
140 404 31	06 B-3	3/8 x 7/32"	25	118	740
140 404 35	08 B-3	1/2 x 5/16"	30	118	750
140 404 36	10 B-3	5/8 x 3/8"	40	118	790
140 404 37	12 B-3	3/4 x 7/16"	45	118	810

SPANN-BOX® Size 1, Short, High Force, Stainless

Product No.	DIN ISO	Pitch Inch	B mm	H mm	Weight g
140 405 01*	≤06 B-1	3/8 x 7/32"	20	118	670
140 405 05	08 B-1	1/2 x 5/16"	20	118	670
140 405 06	10 B-1	5/8 x 3/8"	20	118	670
140 405 07	12 B-1	3/4 x 7/16"	20	118	670
140 405 08	16 B-1	1" x 17,02	20	118	670
140 405 09	20 B-1	1 1/4 x 3/4"	20	118	670
140 405 21	06 B-2	3/8 x 7/32"	20	118	670
140 405 25	08 B-2	1/2 x 5/16"	20	118	670
140 405 26	10 B-2	5/8 x 3/8"	25	118	750
140 405 27	12 B-2	3/4 x 7/16"	30	118	750
140 405 28	16 B-2	1" x 17,02	45	118	820
140 405 31	06 B-3	3/8 x 7/32"	25	118	740
140 405 35	08 B-3	1/2 x 5/16"	30	118	750
140 405 36	10 B-3	5/8 x 3/8"	40	118	790
140 405 37	12 B-3	3/4 x 7/16"	45	118	810

SPANN-BOX® Size 1, Long, High Force

Product No.	DIN ISO	Pitch Inch	B mm	H mm	Weight g
140 406 01*	≤06 B-1	3/8 x 7/32"	20	133	740
140 406 05	08 B-1	1/2 x 5/16"	20	133	740
140 406 06	10 B-1	5/8 x 3/8"	20	133	740
140 406 07	12 B-1	3/4 x 7/16"	20	133	740
140 406 08	16 B-1	1" x 17,02	20	133	740
140 406 09	20 B-1	1 1/4 x 3/4"	20	133	740
140 406 21	06 B-2	3/8 x 7/32"	20	133	810
140 406 25	08 B-2	1/2 x 5/16"	20	133	810
140 406 26	10 B-2	5/8 x 3/8"	25	133	810
140 406 27	12 B-2	3/4 x 7/16"	30	133	810
140 406 28	16 B-2	1" x 17,02	45	133	890
140 406 31	06 B-3	3/8 x 7/32"	25	133	820
140 406 35	08 B-3	1/2 x 5/16"	30	133	820
140 406 36	10 B-3	5/8 x 3/8"	40	133	820
140 406 37	12 B-3	3/4 x 7/16"	45	133	890

SPANN-BOX® Size 1, Long, High Force, Stainless

Product No.	DIN ISO	Pitch Inch	B mm	H mm	Weight g
140 407 01*	≤06 B-1	3/8 x 7/32"	20	133	740
140 407 05	08 B-1	1/2 x 5/16"	20	133	740
140 407 06	10 B-1	5/8 x 3/8"	20	133	740
140 407 07	12 B-1	3/4 x 7/16"	20	133	740
140 407 08	16 B-1	1" x 17,02	20	133	740
140 407 09	20 B-1	1 1/4 x 3/4"	20	133	740
140 407 21	06 B-2	3/8 x 7/32"	20	133	810
140 407 25	08 B-2	1/2 x 5/16"	20	133	810
140 407 26	10 B-2	5/8 x 3/8"	25	133	810
140 407 27	12 B-2	3/4 x 7/16"	30	133	810
140 407 28	16 B-2	1" x 17,02	45	133	890
140 407 31	06 B-3	3/8 x 7/32"	25	133	820
140 407 35	08 B-3	1/2 x 5/16"	30	133	820
140 407 36	10 B-3	5/8 x 3/8"	40	133	820
140 407 37	12 B-3	3/4 x 7/16"	45	133	890

* U Profile.

Adjustable Tensioning Forces:

On choice, there are two versions, with low tensioning force or with high tensioning force. Both versions have three springs, which can get activated independent from each other to reach three different tensioning forces:

Version with low tensioning force:

- 1 spring activated: 58 - 32 N.
- 2 springs activated: 116 - 64 N.
- 3 springs activated: 174 - 96 N.

Version with high tensioning force:

- 1 spring activated: 132 - 60 N.
- 2 springs activated: 264 - 120 N.
- 3 springs activated: 396 - 180 N.

Operating Instructions at www.maedler.de in the section Downloads