

Cat 5 Patch Cord



RoHS
Compliant



Specifications:

Construction

Conductor	: 26AWG 7/34 Stranded tinned copper	Nom. Dia	0.019"
Insulation	: Polyolefin, 0.01" Nom. Wall Thickness		0.039"
Pairs	: Colour Coded Singles Twisted into Pairs		0.078"
Cable	: (4) Twisted pairs twisted together to form a cable core wrapped with a clear polyester binder		0.162"
Shield	: An aluminized polyester foil shield (Foil in, 100% coverage) with a 26AWG tinned copper drain wire in contact with metalized surface shall be applied over the cable core		0.168"
Jacket	: Polyvinylchloride, 0.024" Nom. Wall thickness overall cable diameter		0.212" Min. 0.222" Nom. 0.232" Max.

Jacket Colour : Grey

Physical Properties:

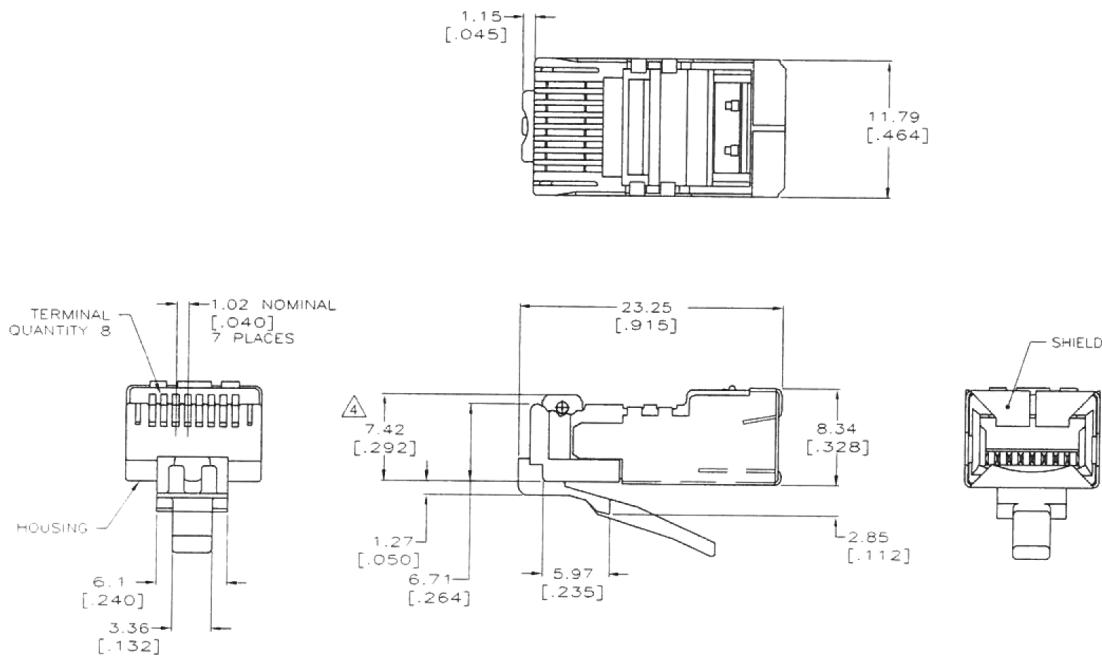
Temperature Rating Max.	: 75°C
Temperature Rating Min.	: -20°C
WT./M, Nom., Net.	: 21.3lbs

Electrical Characteristics:

Capacitance, Mutual	: 13.5 PF/FT. at 1MHz
Dielectric withstanding Min.	: 1,500Vrms
Voltage Rating Max.	: 300V
DC Resistance Max.	: 42.6Ω/1,000'
Impedance	: 100 +/- 15Ω 1-100MHz
Impedance Smoothed	: 100 +/- 10Ω Typical 5-100MHz
SRL	: 23dB 1-20MHz : 23-10 LOG(F/20) 20-100MHz
Return Loss	: 1-10MHz 20+5 LOG (F) dB Min. : 10-20MHz 20 dB Min. : 20-100MHz 25-8.6 LOG(F/20) dB Min.
PS Next	: 1-100MHz 64-15 LOG (F/0.772) Min.
Next	: 1-100MHz 67-15 LOG (F/0.772) Min.
PS ELFEXT	: 1-100MHz 63-20 LOG (F/0.772) Min.
ELFEXT	: 1-100MHz 66-20 LOG (F/0.772) Min.
Attenuation	: 1-100MHz 1.5[1.967 SQRT(F)+0.023(F)+0.05/SQRT(F)]Max.
Delay	: 1-100MHz 534+36/SQRT(F)
Delay Skew	: 1-100MHz <25NS
LCL	: 1-100MHz -38dB Min.
Velocity of Propagation	: 68%

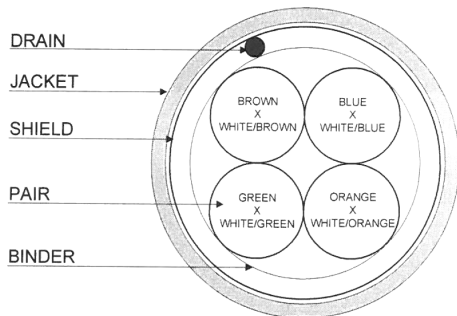


Cat 5 Patch Cord



⚠ Terminated Dimension 6.15 [0.242] Max.

Dimensions : Inches (Millimetres)



Part Number Table

Description	Part Number
Patch Cord, RJ45, 12ft, Blue	SPC22219

Important Notice : This data sheet and its contents (the "Information") belong to the members of the Premier Farnell group of companies (the "Group") or are licensed to it. No licence is granted for the use of it other than for information purposes in connection with the products to which it relates. No licence of any intellectual property rights is granted. The Information is subject to change without notice and replaces all data sheets previously supplied. The Information supplied is believed to be accurate but the Group assumes no responsibility for its accuracy or completeness, any error in or omission from it or for any use made of it. Users of this data sheet should check for themselves the Information and the suitability of the products for their purpose and not make any assumptions based on information included or omitted. Liability for loss or damage resulting from any reliance on the Information or use of it (including liability resulting from negligence or where the Group was aware of the possibility of such loss or damage arising) is excluded. This will not operate to limit or restrict the Group's liability for death or personal injury resulting from its negligence. Multicomp is the registered trademark of the Group. © Premier Farnell plc 2012.

www.element14.com
www.farnell.com
www.newark.com

