

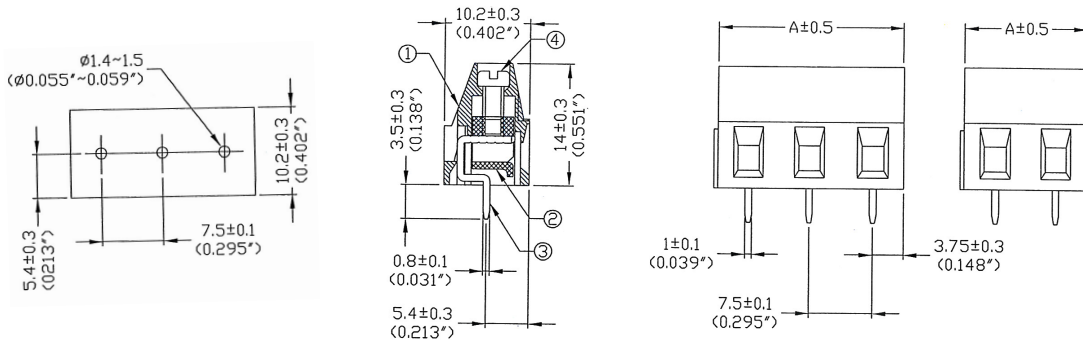
**RoHS  
Compliant**

## Specifications



Current Rating	: 16Amp AC300V
Insulation Withstands Volt	: AC2000V min
Insulation Resistance	: >2,000MΩ DC500V
Operation Temperature	: -40°C to +105°C
Stripped Length	: 4mm to 5mm
Wire Range	: 12 AWG to 26 AWG
Screw Torque	: 7lb-inch

## Diagram



Dimensions : Millimetres (Inches)

Part Number	Pinch	Poles	A
MC002063	7.5mm (0.295")	2	15mm (0.591")
MC002064		3	22.5mm (0.886")

No.	Material	Plating/Finish
1	Insulating Body Polyamide 66 (UL94V-0)	-
2	Cage clamp Steel	Ni Plated
3	Terminal Brass	Tin Plated
4	Screw Steel	Ni Plated

## Part Number Table

Description	Part Number
PCB Terminal Block, 7.5mm, Modular Type, 16A 300V, 2 poles	MC002063
PCB Terminal Block, 7.5mm, Modular Type, 16A 300V, 3 poles	MC002064

**Important Notice :** This data sheet and its contents (the "Information") belong to the members of the AVNET group of companies (the "Group") or are licensed to it. No licence is granted for the use of it other than for information purposes in connection with the products to which it relates. No licence of any intellectual property rights is granted. The Information is subject to change without notice and replaces all data sheets previously supplied. The Information supplied is believed to be accurate but the Group assumes no responsibility for its accuracy or completeness, any error in or omission from it or for any use made of it. Users of this data sheet should check for themselves the Information and the suitability of the products for their purpose and not make any assumptions based on information included or omitted. Liability for loss or damage resulting from any reliance on the Information or use of it (including liability resulting from negligence or where the Group was aware of the possibility of such loss or damage arising) is excluded. This will not operate to limit or restrict the Group's liability for death or personal injury resulting from its negligence. Multicomp Pro is the registered trademark of Premier Farnell Limited 2019.