

Power supply unit - TRIO-PS67/1AC/24DC/8/INC



1065976

<https://www.phoenixcontact.com/in/products/1065976>

Please be informed that the data shown in this PDF document is generated from our Online Catalog. Please find the complete data in the user documentation. Our General Terms of Use for Downloads are valid.



TRIO POWER primary-switched power supply in IP67 die-cast housing, 7/8" circular connector, input: 1-phase, output: 24 V DC/8 A

Power supply unit - TRIO-PS67/1AC/24DC/8/INC



1065976

<https://www.phoenixcontact.com/in/products/1065976>

Commercial Data

Item number	1065976
Packing unit	1 pc
Minimum order quantity	1 pc
Sales Key	CMP
Product Key	CMPF13
GTIN	4055626731032
Weight per Piece (including packing)	1,690 g
Weight per Piece (excluding packing)	1,600 g
Customs tariff number	85044082
Country of origin	CN

Technical Data

Input data

AC operation

Supply system configuration	Star network (TN, TT, IT (PE))
Nominal input voltage range	100 V AC ... 240 V AC
Input voltage range	100 V AC ... 240 V AC $\pm 10\%$
Switch-on voltage	> 75 V AC
Shut-down voltage	< 70 V AC
Electric strength, max.	≤ 300 V AC 15 s
Typical national grid voltage	120 V AC
	230 V AC
Voltage type of supply voltage	AC/DC
Inrush current	≤ 25 A (typical)
Inrush current integral (I^2t)	< 0.5 A ² s
Inrush current limitation	typ. 25 A (after 1 ms)
AC frequency range	50 Hz ... 60 Hz $\pm 10\%$
Frequency range (f_N)	50 Hz ... 60 Hz $\pm 10\%$
Mains buffering time	> 15 ms (120 V AC)
	> 15 ms (230 V AC)
Current consumption	2.2 A (100 V AC)
	0.9 A (240 V AC)
Nominal power consumption	285 VA
Protective circuit	Transient surge protection; Varistor
Power factor (cos phi)	> 0.93
Switch-on time	< 1 s
Input fuse	6.3 A (internal (device protection))
Recommended breaker for input protection	6 A ... 16 A (US/CAN: branch circuit protection < 20 A) (Characteristic B, C, D, K or comparable)
Discharge current to PE	< 3.5 mA

DC operation

Nominal input voltage range	110 V DC ... 250 V DC
Input voltage range	110 V DC ... 250 V DC $\pm 10\%$
Switch-on voltage	≥ 95 V DC
Shut-down voltage	< 95 V DC
Voltage type of supply voltage	AC/DC
Mains buffering time	> 15 ms (230 V AC)
Current consumption	1.9 A (110 V DC)
	0.8 A (250 V DC)

Output data

Efficiency	typ. 91 % (120 V AC)
------------	----------------------

Power supply unit - TRIO-PS67/1AC/24DC/8/INC



1065976

<https://www.phoenixcontact.com/in/products/1065976>

	typ. 93 % (230 V AC)
Nominal output voltage	24 V DC ± 1 %
Nominal output current (I_N)	8 A
Dynamic Boost ($I_{Dyn.Boost}$)	12 A (5 s)
Derating	> 60 °C ... 70 °C (2.5%/K)
Feedback voltage resistance	≤ 35 V DC
Protection against overvoltage at the output (OVP)	≤ 30 V DC
Control deviation	< 1 % (change in load, static 10 % ... 90 %)
	< 3 % (Dynamic load change 10 % ... 90 %, 10 Hz)
	< 0.1 % (change in input voltage ± 10 %)
Residual ripple	≤ 10 mV _{PP}
Short-circuit-proof	yes
No-load proof	yes
Output power	192 W
	288 W
Maximum no-load power dissipation	< 8 W (120 V AC)
	< 5 W (230 V AC)
Power loss nominal load max.	< 18 W (120 V AC)
	< 14 W (230 V AC)
Rise time	≤ 12 ms (U_{OUT} (10 % ... 90 %))
Connection in parallel	no
Connection in series	No

Signal: DC OK

Maximum switching voltage	30 V AC/DC
Continuous load current	100 mA

Signal: DC OK

Maximum switching voltage	30 V AC/DC
Continuous load current	100 mA

Signal relay 13/14

Default	closed
Digital	30 V AC 30 V DC 100 mA

Connection data

Input

Connection method	7/8" circular connector
Type of locking	Screw locking
Range of positions	3 Plug

Output

Connection method	7/8" circular connector
Type of locking	screw locking
Range of positions	4 Socket

Power supply unit - TRIO-PS67/1AC/24DC/8/INC



1065976

<https://www.phoenixcontact.com/in/products/1065976>

LED signaling

Types of signaling	LED
	Floating signal contact

Signal output: LED status indicator

Signalization designation	AC OK
Status display	LED
Color	green

Signal output: LED status indicator

Signalization designation	DC OK
Status display	LED
Color	green

Electrical properties

Number of phases	1.00
Insulation voltage input/output	3 kV AC (type test)
	1.5 kV AC (routine test)

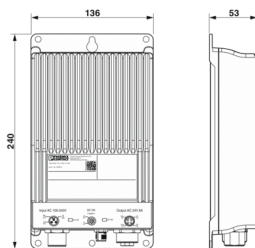
Product properties

Product type	Power supply
MTBF (IEC 61709, SN 29500)	> 1800000 h (25 °C)
	> 1000000 h (40 °C)
	> 480000 h (60 °C)

Insulation characteristics

Protection class	I
Degree of pollution	3

Dimensions

Dimensional drawing	
Width	136 mm
Height	240 mm
Depth	53 mm

Mounting

Mounting type	Wall mounting
---------------	---------------

Power supply unit - TRIO-PS67/1AC/24DC/8/INC



1065976

<https://www.phoenixcontact.com/in/products/1065976>

Assembly instructions	Alignable: 20 mm horizontally, 50 mm vertically above, 100 mm vertically below
With protective coating	No

Material specifications

Inflammability class in acc. with UL 94 (housing / terminal blocks)	V0
Housing material	Metal
Type of housing	Aluminum (AlMg3)

Environmental and real-life conditions

Ambient conditions

Degree of protection	IP67
Ambient temperature (operation)	-25 °C ... 70 °C (Derating >60°C: 2.5 %/K)
Ambient temperature (storage/transport)	-40 °C ... 85 °C
Maximum altitude	≤ 4000 m (> 2000 m, Derating: 10 %/1000 m)
Climatic class	3K3 (in acc. with EN 60721)
Max. permissible relative humidity (operation)	≤ 100 % (at 25 °C, non-condensing)
Permissible humidity (operation)	≤ 100 % (at 25 °C, non-condensing)
Shock	18 ms, 30g, in each space direction (according to IEC 60068-2-27)
Vibration (operation)	< 15 Hz, amplitude ±2.5 mm (according to IEC 60068-2-6) 15 Hz ... 150 Hz, 4g, 90 min.

Standards and regulations

Overvoltage category

EN 61010-1	III (≤ 2000 m) II (≤ 4000 m)
------------	---------------------------------

Electrical safety

Standards/specifications	IEC 61010-1 (SELV)
--------------------------	--------------------

Protective extra-low voltage

Standards/specifications	IEC 61010-1 (SELV) IEC 61010-2-201 (PELV)
--------------------------	--

Safe isolation

Standards/specifications	IEC 61558-2-16
--------------------------	----------------

Low-voltage power supplies, DC output

Standards/specifications	EN 61204-3
--------------------------	------------

Safety requirements for electrical equipment for measurement, control, and laboratory use

Standards/specifications	IEC 61010-1
--------------------------	-------------

Limit values for harmonic currents

Standards/specifications	EN 61000-3-2
--------------------------	--------------

Power supply unit - TRIO-PS67/1AC/24DC/8/INC



1065976

<https://www.phoenixcontact.com/in/products/1065976>

Degrees of protection provided by enclosures (IP code)

Standards/specifications	EN/IEC 60529
--------------------------	--------------

Approval data

UL

Identification	UL/C-UL Listed UL 61010-1
----------------	---------------------------

UL

Identification	UL/C-UL Listed UL 61010-2-201
----------------	-------------------------------

EMC data

Low Voltage Directive	Conformance with Low Voltage Directive 2014/35/EC
Electromagnetic compatibility	Conformance with EMC Directive 2014/30/EU
Conducted noise emission	EN 55016 EN 61000-6-3 (Class B)
Interference emission	Noise emission according to EN 61000-6-3 (residential and commercial) and EN 61000-6-4 (industrial)
Noise emission	EN 55011 (EN 55022)
Noise emission	EN 55016 EN 61000-6-3 (Class B)
Noise immunity	Immunity according to EN 61000-6-1 (residential), EN 61000-6-2 (industrial)

Harmonic currents

Standards/regulations	EN 61000-3-2 EN 61000-3-2 (Class A)
-----------------------	--

Electrostatic discharge

Standards/regulations	EN 61000-4-2
-----------------------	--------------

Electrostatic discharge

Contact discharge	6 kV (Test Level 3)
Comments	Criterion A

Electromagnetic HF field

Standards/regulations	EN 61000-4-3
-----------------------	--------------

Electromagnetic HF field

Frequency range	80 MHz ... 1 GHz
Test field strength	10 V/m (Test Level 3)
Frequency range	1 GHz ... 2 GHz
Test field strength	10 V/m (Test Level 3)
Frequency range	2 GHz ... 6 GHz
Test field strength	10 V/m (Test Level 3)
Comments	Criterion A

Fast transients (burst)

Power supply unit - TRIO-PS67/1AC/24DC/8/INC



1065976

<https://www.phoenixcontact.com/in/products/1065976>

Standards/regulations	EN 61000-4-4
-----------------------	--------------

Fast transients (burst)

Input	4 kV (Test Level 3 - asymmetrical)
Output	2 kV (Test Level 3 - asymmetrical)
Signal	2 kV (Test Level 3 - asymmetrical)
Comments	Criterion A

Surge voltage load (surge)

Standards/regulations	EN 61000-4-5
Input	2 kV (Test Level 4 - symmetrical)
	4 kV (Test Level 4 - asymmetrical)
Output	1 kV (Test Level 3 - symmetrical)
	2 kV (Test Level 3 - asymmetrical)
Signal	1 kV (Test Level 2 - asymmetrical)
Comments	Criterion A

Conducted interference

Standards/regulations	EN 61000-4-6
-----------------------	--------------

Conducted interference

Input/Output	asymmetrical
Frequency range	0.15 MHz ... 80 MHz
Comments	Criterion A
Voltage	10 V (Test Level 3)

Voltage dips

Standards/regulations	EN 61000-4-11
Voltage	230 V AC
Frequency	50 Hz
Voltage dip	70 %
Number of periods	25 periods
Comments	Criterion A
Voltage dip	40 %
Number of periods	10 periods
Comments	Criterion A
Voltage dip	0 %
Number of periods	1 period
Comments	Criterion A

Emitted interference

Standards/regulations	EN 61000-6-3
Radio interference voltage in acc. with EN 55011	EN 55011 (EN 55022) Class B, area of application: Industry and residential
Emitted radio interference in acc. with EN 55011	EN 55011 (EN 55022) Class B, area of application: Industry and residential
Criterion A	Normal operating behavior within the specified limits.

Power supply unit - TRIO-PS67/1AC/24DC/8/INC



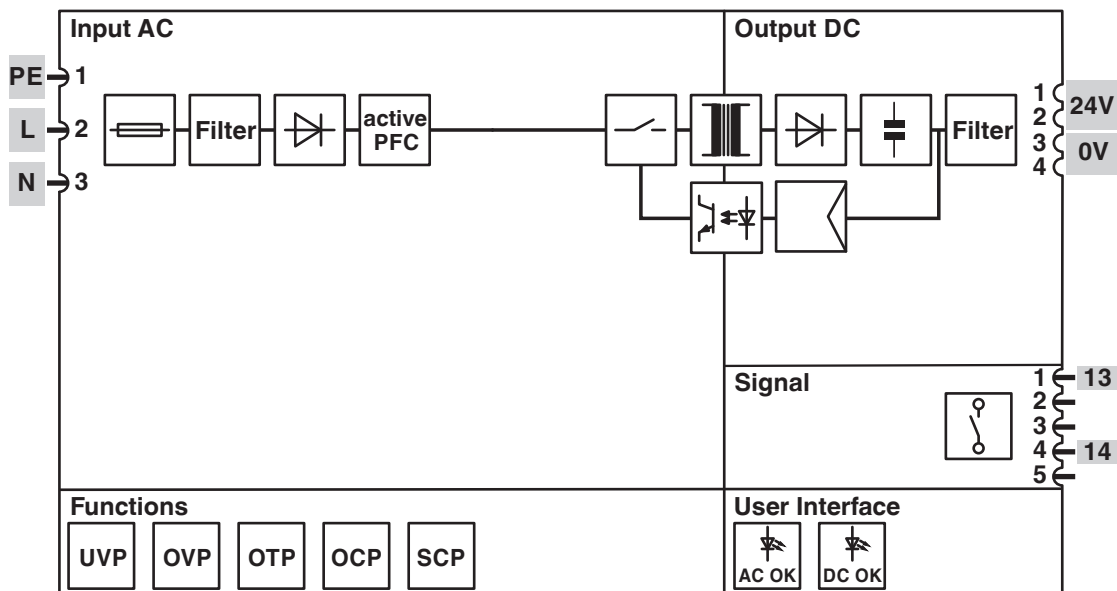
1065976

<https://www.phoenixcontact.com/in/products/1065976>

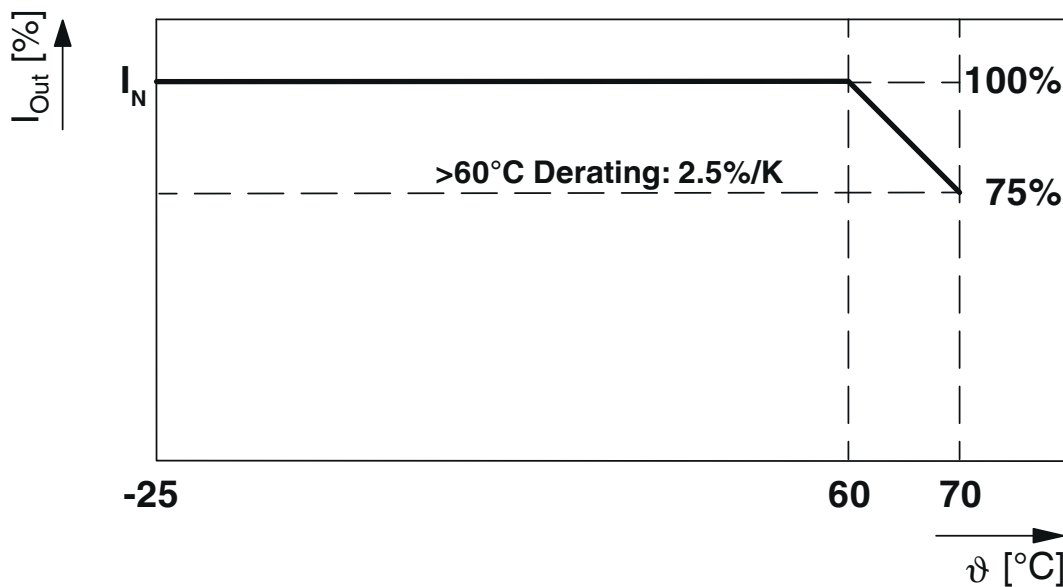
Criterion B	Temporary impairment to operational behavior that is corrected by the device itself.
Criterion C	Temporary adverse effects on the operating behavior, which the device corrects automatically or which can be restored by actuating the operating elements.

Drawings

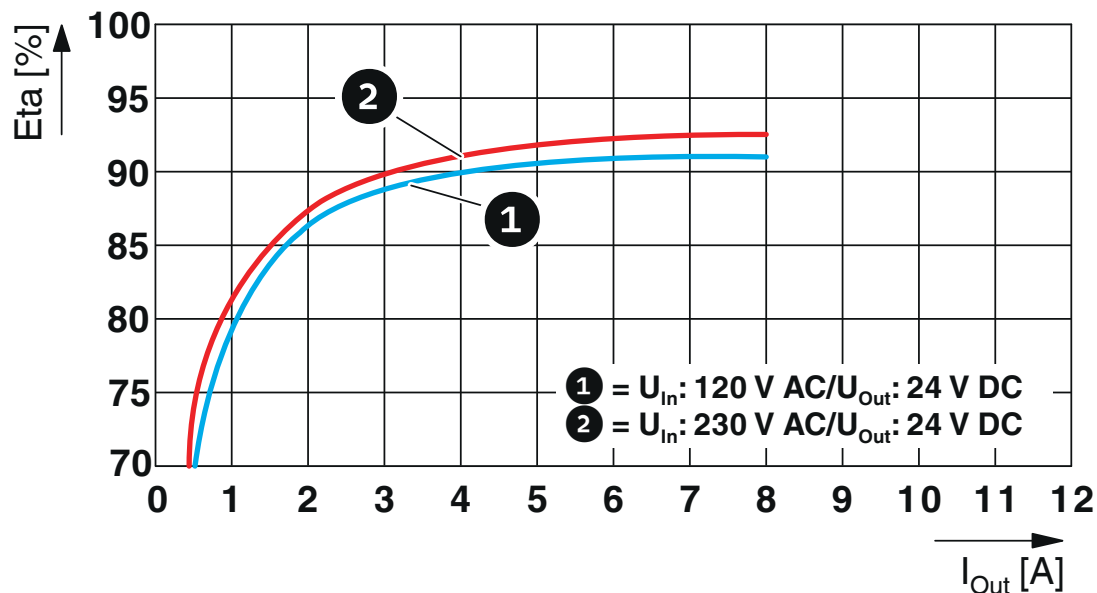
Block diagram



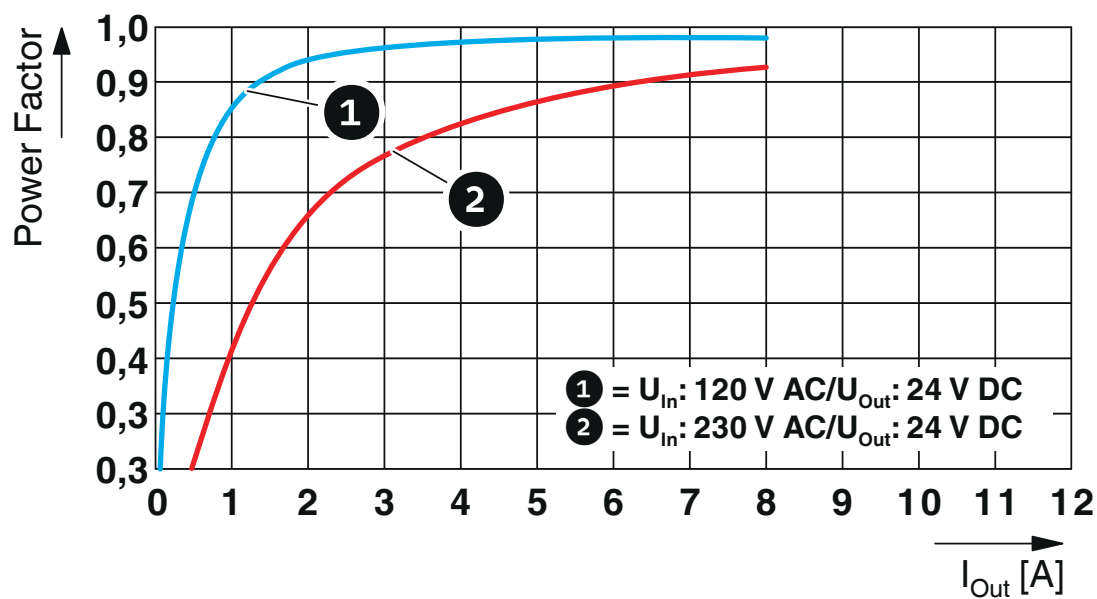
Diagram



Diagram



Diagram



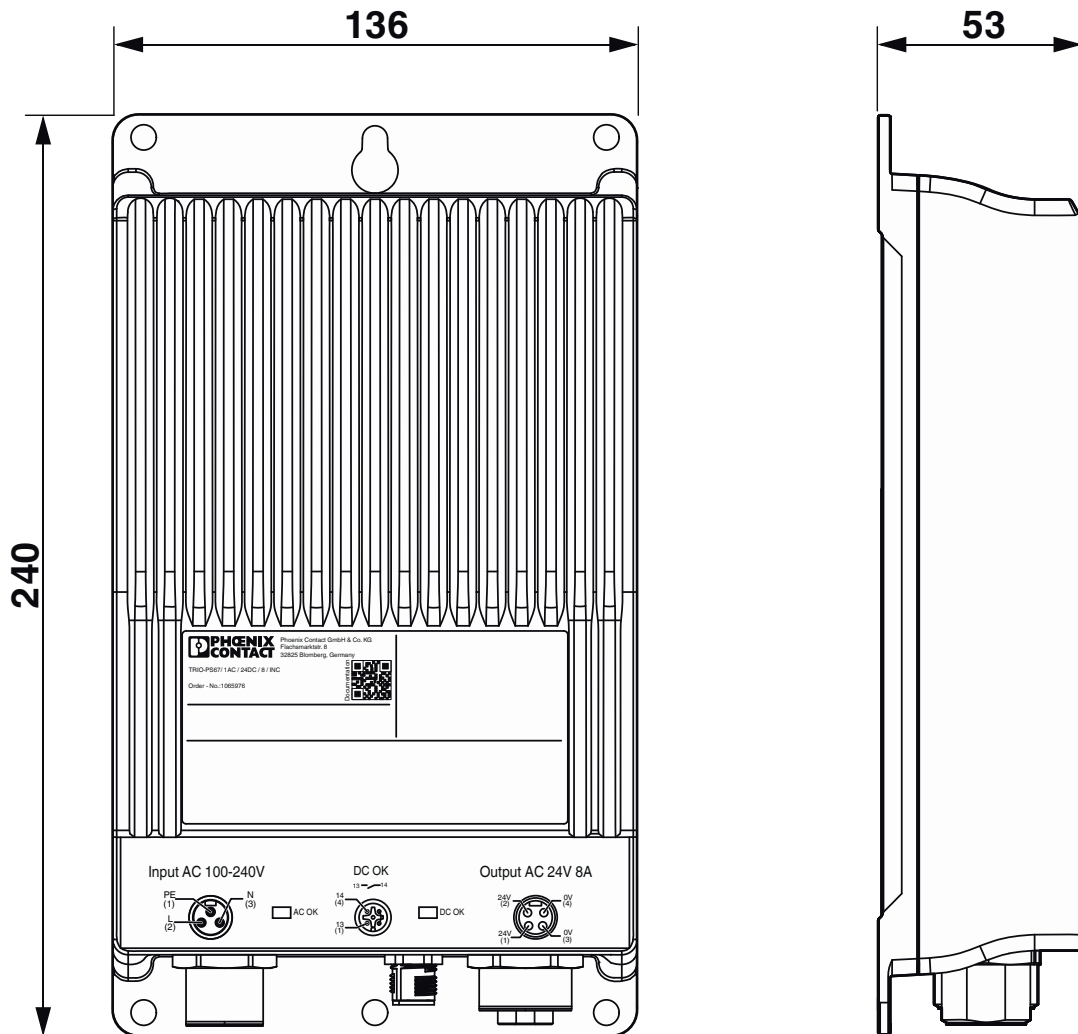
Power supply unit - TRIO-PS67/1AC/24DC/8/INC



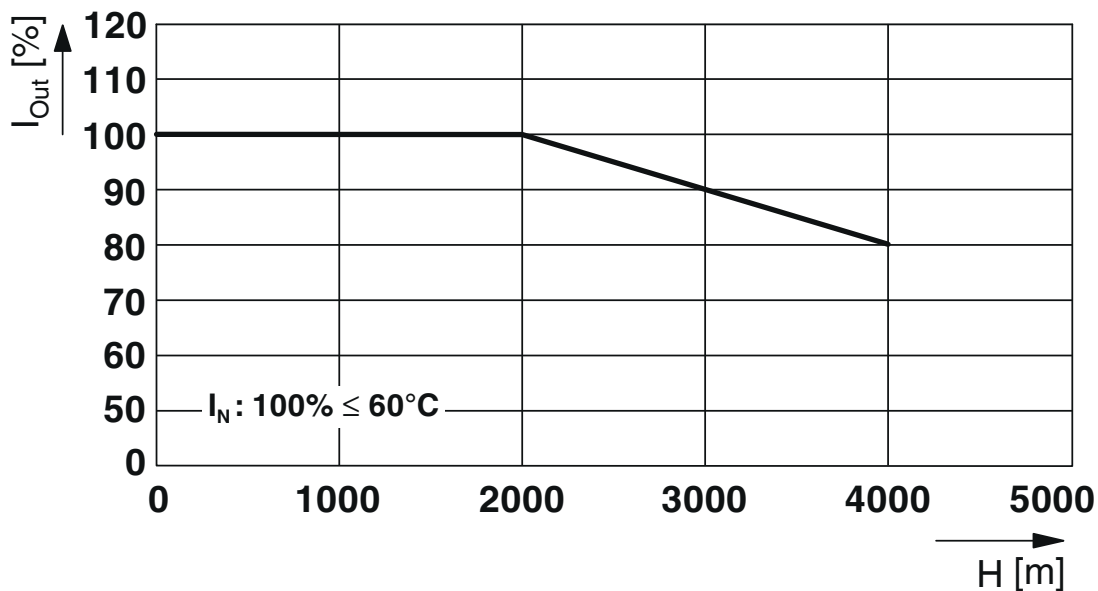
1065976

<https://www.phoenixcontact.com/in/products/1065976>

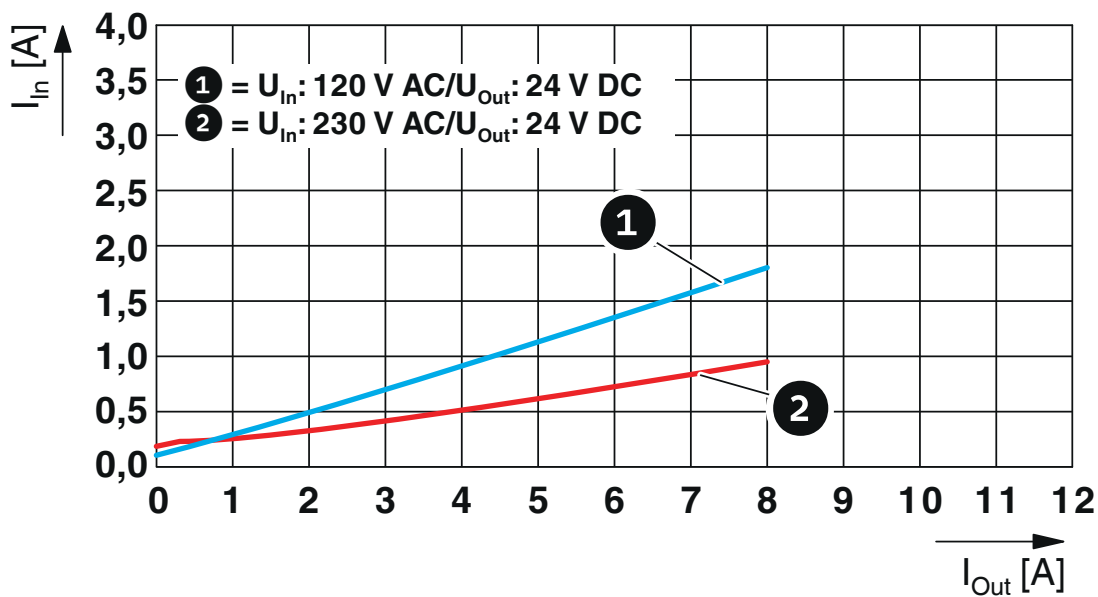
Dimensional drawing



Diagram



Diagram



Power supply unit - TRIO-PS67/1AC/24DC/8/INC





1065976

<https://www.phoenixcontact.com/in/products/1065976>

Approvals

 IECEE CB Scheme Approval ID: DK-113104-UL				
	Nominal Voltage U_N	Nominal Current I_N	Cross Section AWG	Cross Section mm^2
			-	-

 cULus Listed Approval ID: FILE E 123528				
---	--	--	--	--

 EAC Approval ID: RU S-DE.BL08.W.00764				
---	--	--	--	--

Power supply unit - TRIO-PS67/1AC/24DC/8/INC



1065976

<https://www.phoenixcontact.com/in/products/1065976>

Classifications

ECLASS

ECLASS-9.0	27040701
ECLASS-11.0	27040701

ETIM

ETIM 8.0	EC002540
----------	----------

UNSPSC

UNSPSC 21.0	
-------------	--

Power supply unit - TRIO-PS67/1AC/24DC/8/INC



1065976

<https://www.phoenixcontact.com/in/products/1065976>

Environmental Product Compliance

REACH SVHC	Lead 7439-92-1
China RoHS	Environmentally Friendly Use Period = 25;
	For information on hazardous substances, refer to the manufacturer's declaration available under "Downloads"

Power supply unit - TRIO-PS67/1AC/24DC/8/INC



1065976

<https://www.phoenixcontact.com/in/products/1065976>

Accessories

Connector

Connector - SACC-MINFS-3CON-PG 9 - 1521300

<https://www.phoenixcontact.com/in/products/1521300>



Connector, Universal, 3-position, Socket straight 7/8"-UNF, Coding: A, Screw connection, knurl material: Zinc die-cast, nickel-plated, cable gland Pg9, external cable diameter 6 mm ... 8 mm

Connector

Connector - SACC-MINFS-3CON-PG13 - 1521313

<https://www.phoenixcontact.com/in/products/1521313>



Connector, Universal, 3-position, Socket straight 7/8"-UNF, Coding: A, Screw connection, knurl material: Zinc die-cast, nickel-plated, cable gland Pg13,5, external cable diameter 10 mm ... 12 mm

Power supply unit - TRIO-PS67/1AC/24DC/8/INC



1065976

<https://www.phoenixcontact.com/in/products/1065976>

Connector

Connector - SACC-MINMS-4CON-PG 9 - 1521326

<https://www.phoenixcontact.com/in/products/1521326>



Connector, Universal, 4-position, Plug straight 7/8"-UNF, Coding: A, Screw connection, knurl material: Zinc die-cast, nickel-plated, cable gland Pg9, external cable diameter 6 mm ... 8 mm, Contact 4 leading

Connector

Connector - SACC-MINMS-4CON-PG13 - 1521339

<https://www.phoenixcontact.com/in/products/1521339>



Connector, Universal, 4-position, Plug straight 7/8"-UNF, Coding: A, Screw connection, knurl material: Zinc die-cast, nickel-plated, cable gland Pg13,5, external cable diameter 10 mm ... 12 mm, Contact 4 leading

Power supply unit - TRIO-PS67/1AC/24DC/8/INC



1065976

<https://www.phoenixcontact.com/in/products/1065976>

Connector

Connector - SACC-M12FS-5PL M - 1424652

<https://www.phoenixcontact.com/in/products/1424652>



Connector, Universal, 5-position, unshielded, Socket straight M12, Coding: A, Push-lock spring connection, knurl material: Zinc die-cast, nickel-plated, external cable diameter 4 mm ... 8 mm

Sensor/actuator cable

Sensor/actuator cable - SAC-5P- 1,5-PUR/M12FS - 1669822

<https://www.phoenixcontact.com/in/products/1669822>



Sensor/actuator cable, 5-position, PUR halogen-free, black-gray RAL 7021, free cable end, on Socket straight M12, coding: A, cable length: 1.5 m

Phoenix Contact 2022 © - all rights reserved

<https://www.phoenixcontact.com>

PHOENIX CONTACT (I) Pvt. Ltd.

A-58/2, Okhla Industrial Area, Phase - II, New Delhi-110 020

+91.1275.71420

info@phoenixcontact.co.in