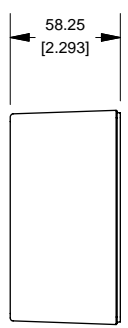
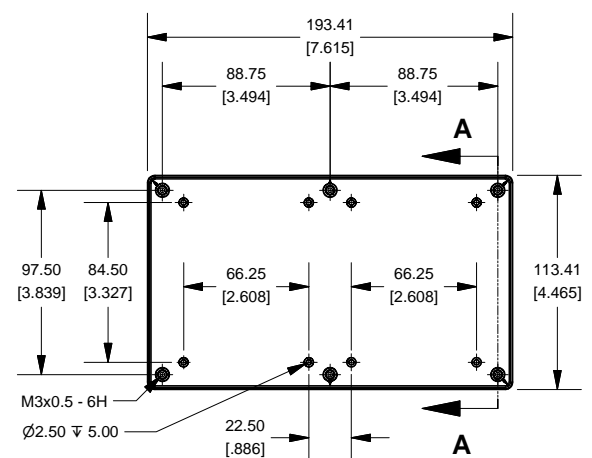


1591XXE Enclosure

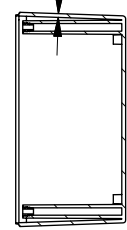


SIDE VIEW OF BOX

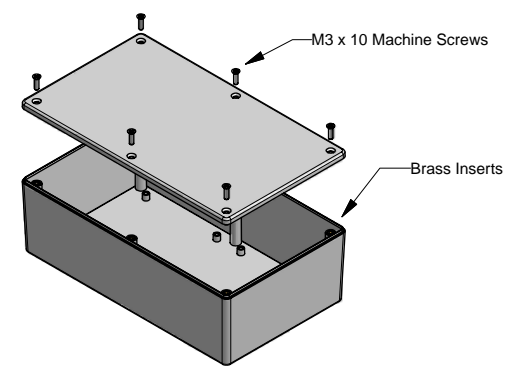


TOP VIEW OF BOX

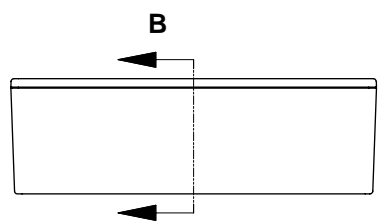
AVERAGE WALL THICKNESS
2.00
[.079]



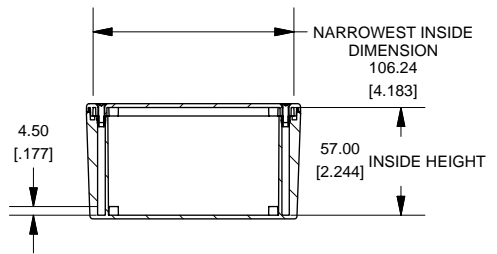
SECTION A-A



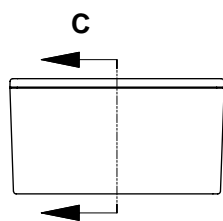
EXPLODED VIEW OF ENCLOSURE



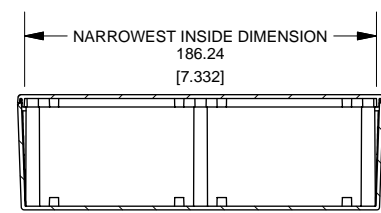
SIDE VIEW OF ENCLOSURE



SECTION B-B



END VIEW OF ENCLOSURE

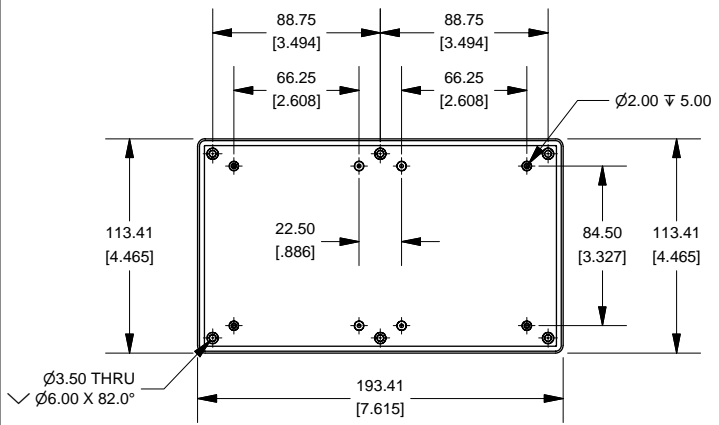


SECTION C-C

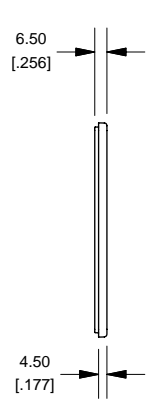
Note:

Enclosures can be Factory Modified (Milling, Drilling, Printing etc.)
 Solid models of this enclosure available in STEP or IGES.
 Contact Factory mjm@hammondmfg.com

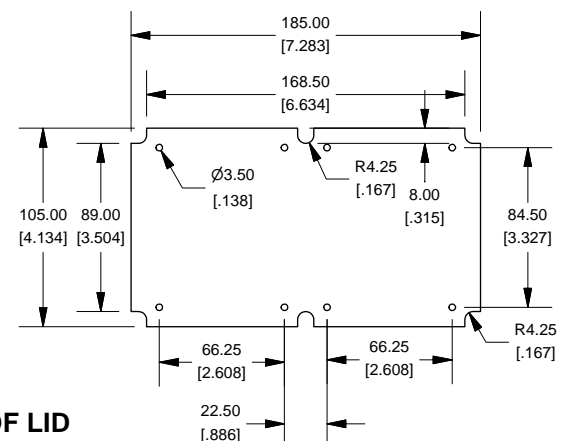
NOTE		
Enclosure molded from FRABS UL 94-V0 Plastic. Other materials / Colours Available Consult Factory		
1591XXE		
1590XXE Enclosure		
Black Enclosure - RAL 7011	1591XXEBK	
Gray Enclosure - RAL 7035	1591XXEGY	
ACCESSORIES		
For Flame Retardant ABS (UL94-V0)		
Black Enclosure Cover Screws (Pkg 100)	1591MS100BK	
Gray Enclosure Cover Screws (Pkg 100)	1591MS100	
P.C. Board Screws (All Boxes)		
P.C. Board Screws	1593ATS50 (Pkg 50)	1593ATS100 (Pkg 100)
#4 x 1/4" self-tapping (6.4mm)		



BOTTOM VIEW OF LID



SIDE VIEW OF LID



Max Size PCB. Fits in Box or in Lid.
 Not supplied with Enclosure