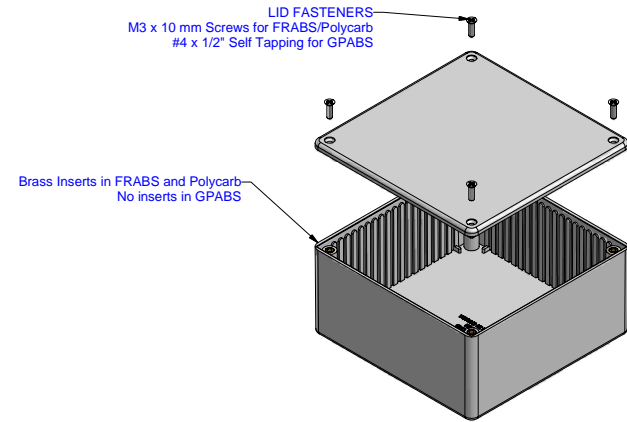
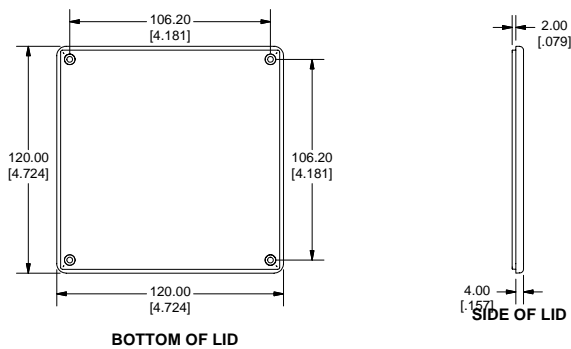
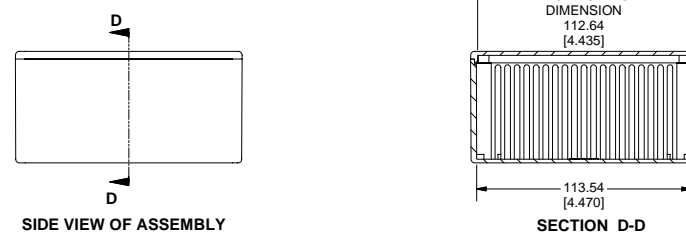
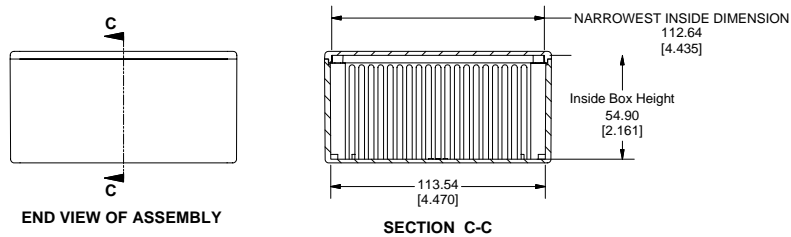
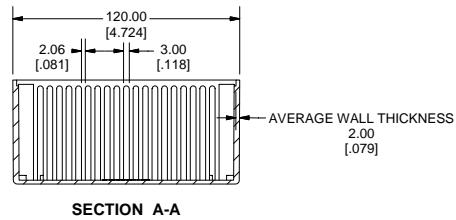
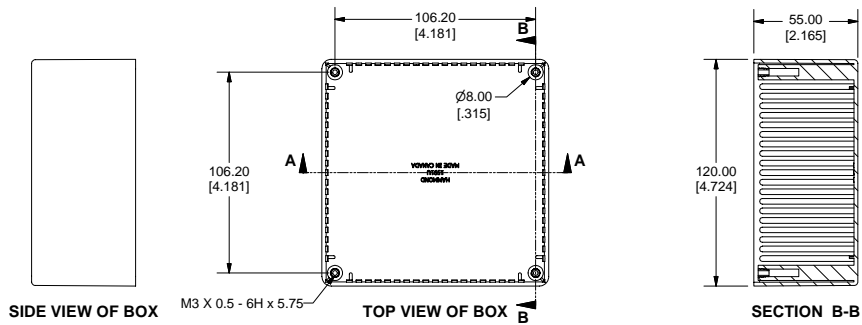


1591U Enclosure



EXPLODED VIEW OF ASSEMBLY

Note:

Enclosures can be Factory Modified (Milling, Drilling, Printing etc.)
 Solid models of this enclosure available in STEP or IGES Format.
 Contact Factory mjm@hammondmfg.com



PART NUMBERS		
1591U Enclosures		
Material	Colour	Part Number
FR ABS UL94 - V0	Black	1591UBK
	Grey	1591UGY
	Black Shielded (Conductive Paint)	1591RUBK
GP ABS	Black	1591USBK
	Grey	1591USGY
Translucent Polycarbonate	Ice Blue	1591UTBU
	IR Red	1591UTRD
	Crystal Clear	1591UTCL
Accessories		
	Description	Part Number
Universal Application	PC Board Card Adapters	See Accessories Section
	Flange Kits	See Accessories Section
	Clear Lids - clear, flame retardant polycarbonate - Lid ONLY	1591UC
FR ABS & Polycarbonate	Replacement Screws, Flat head Phillips, Nickel Plated Pkg of 100	1591MS100 1591MS100BK (Black)
GP ABS	Self Tapping Pkg of 100	1591TS100 1591TS100BK (Black)
Required Torque on Fasteners (no lubrication)		
	M3 - 0.5 x 10mm Screws	30-40 cN*m
	#4 x 0.5 Screws	30-40 cN*m