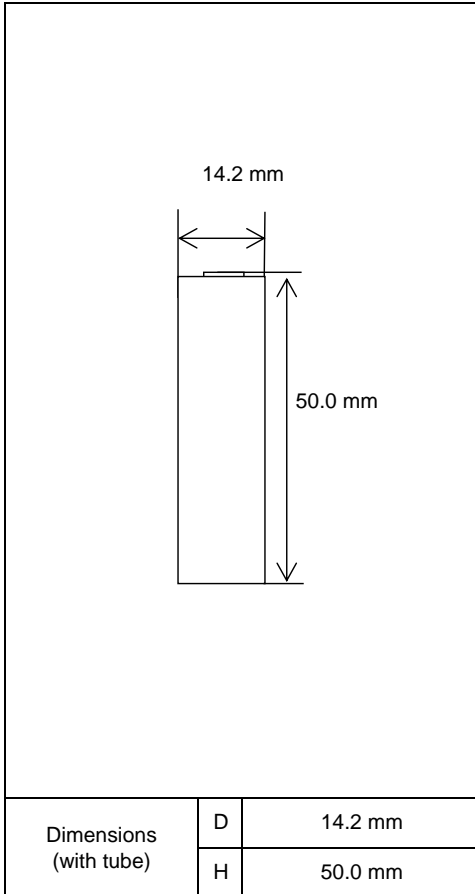


Specifications

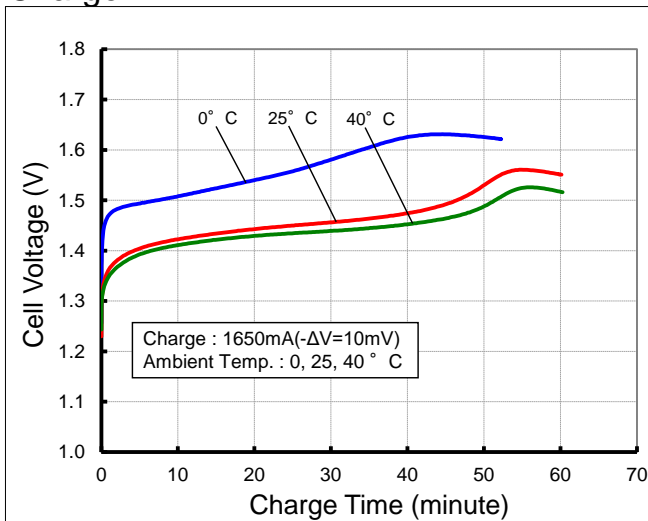


| | | | |
|--|---------------------------|---------------------------|------------------|
| Type : Nickel-Metal Hydride Battery | | Size : AA | |
| Capacity ¹⁾ | Typical | 1650 mAh | |
| | Minimum | 1500 mAh | |
| Nominal Voltage | | 1.2 V | |
| Charging Current x Time | Fast Charge ²⁾ | 1650 mA x about 1.1 h | |
| Ambient Temp. | Charge Condition | Fast Charge ²⁾ | |
| | Discharge Condition | | |
| | Storage Condition | Less than 30days | -20 °C ~ + 50 °C |
| | | Less than 90days | -20 °C ~ + 40 °C |
| Less than 1year | | -20 °C ~ + 30 °C | |
| Internal Impedance ³⁾ (after discharge to E.V.=1.0V) | | Approx. 25 mΩ(at 1000Hz) | |
| Weight ⁴⁾ | | Approx. 27 g | |
| Size ⁴⁾ : (Diameter) x (Height) | | 14.2 (D) x 50.0 (H) mm | |

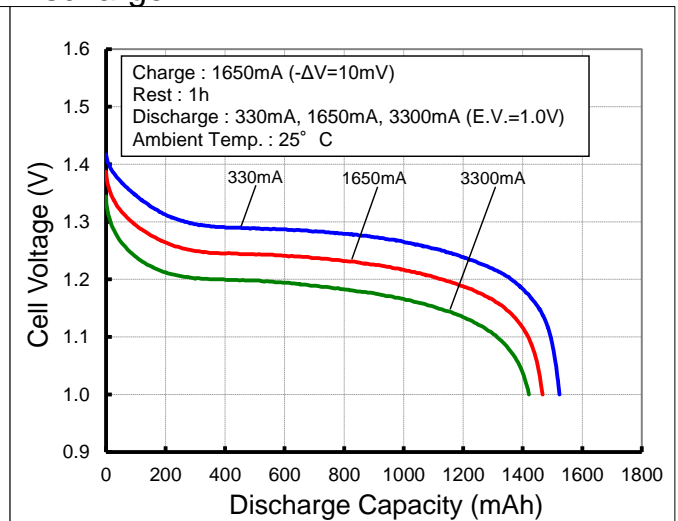
- 1) Single cell capacity under the following condition.
Charge : 165 mA x 16 h, Discharge : 330 mA (E.V.=1.0 V) at 20 °C
- 2) Use recommended charging system.
- 3) After a few charge and discharge cycles under the above 1) condition.
- 4) With tube.

Typical Characteristics

Charge



Discharge



YAH