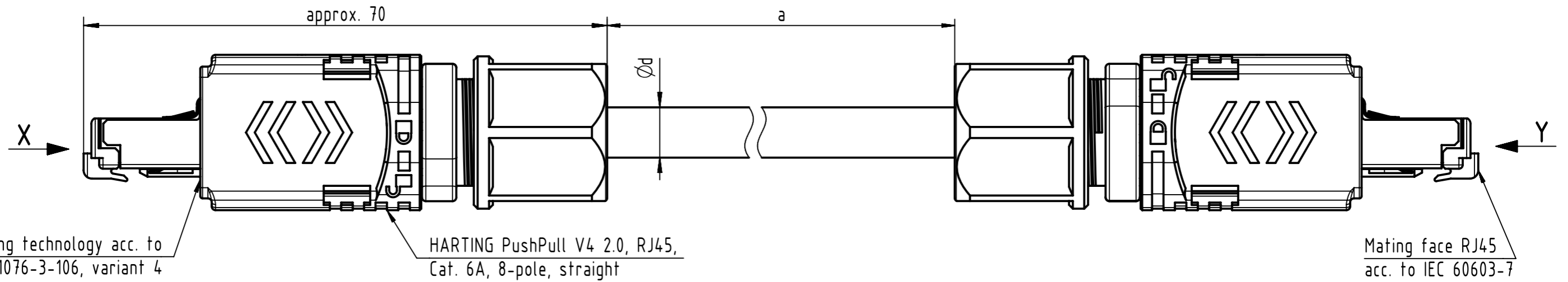


Connector Location A

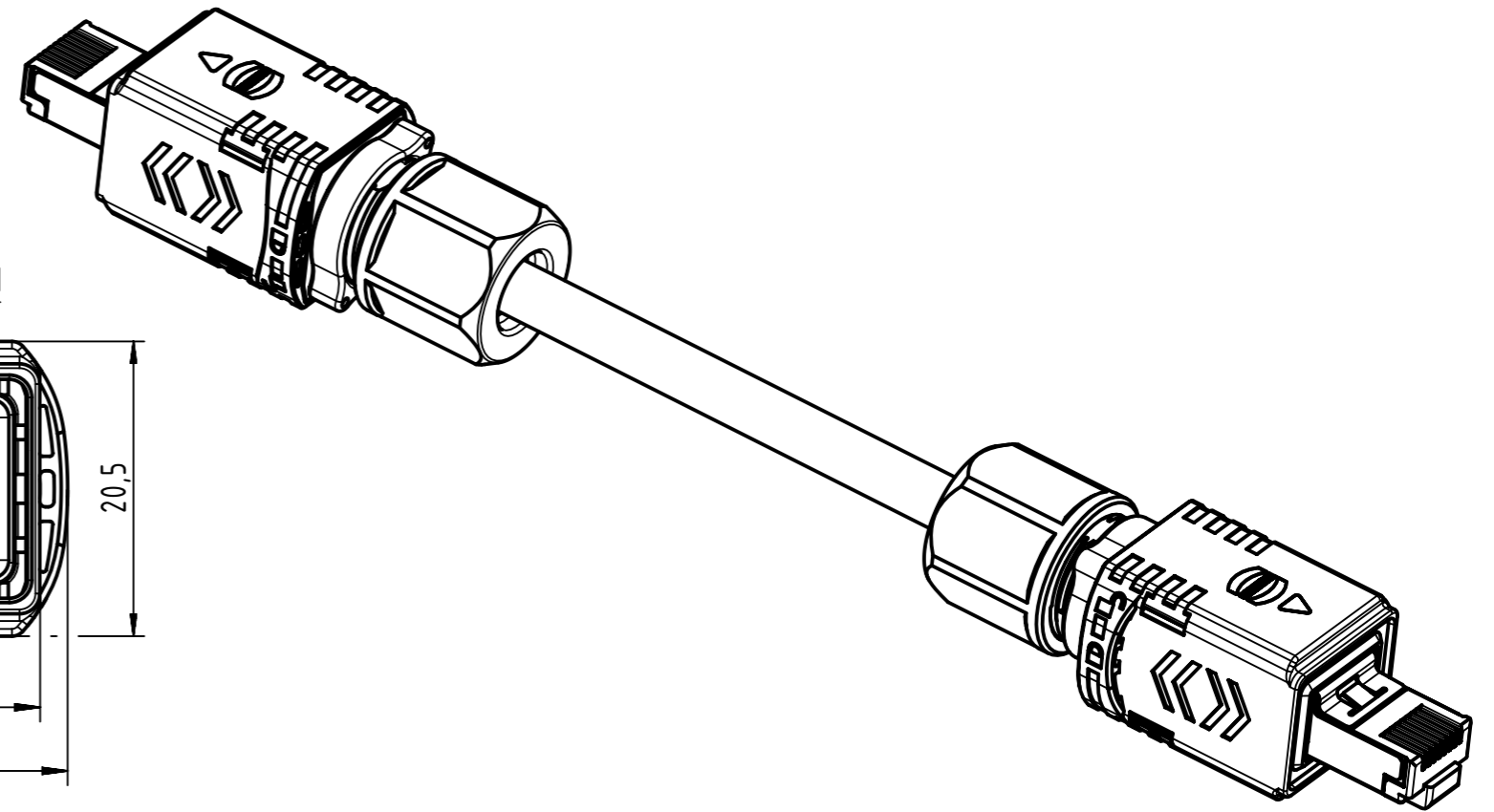
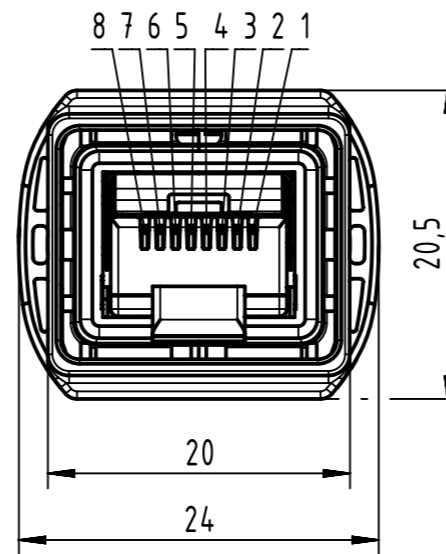
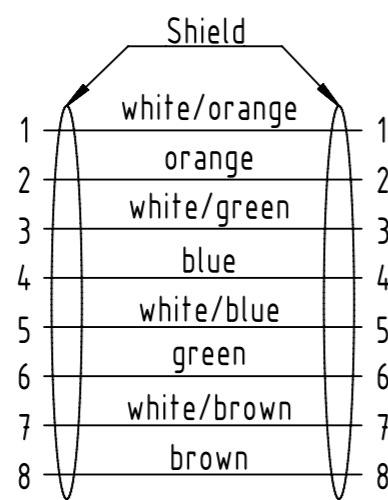
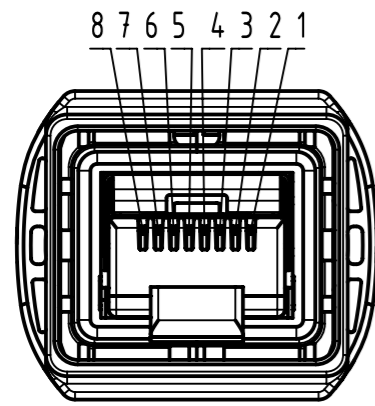
Connector Location B



X  
male

Y  
male

Loading Plan  
acc. to TIA/EIA 568B



- Protection level: IP65/67  
- Temperature range: see next page

All Dimensions in mm		Tech. Character.		Free size tol.		According to production drawing	
	All rights reserved		Created by 405181 Hadar	Inspected by 402676 Gross	Standardisation COSTEA Costea	Date 2021-11-12	State Final Release
	Department HCS - RO		Title HARTING PushPull RJ45 Cable Assembly				Doc-Key / ECM-Nr. 100103494/UGD/022/K 500000205994
HARTING Customised Solutions D-32339 Espelkamp		Type TB	Number 094574XXXXX			Rev. K	Page 1/2

