

SEPA[®] CHIP-COOLER

HXB25B05 HXB30E05 HXB40H05 HXB50E05



ACTIVE COOLER

- **Distinguishing features**

The coolers have very compact dimensions. The ball bearing fan on the heat tank suctions in air then pulling it downward and distributes it with optimum cooling over the heat sink. Easiest mounting by using adhesive.

- **Extremely low power input**

The fans of the latest generation achieve a maximum flow rate with low operating current.

- **Maximum reliability and life expectancy**

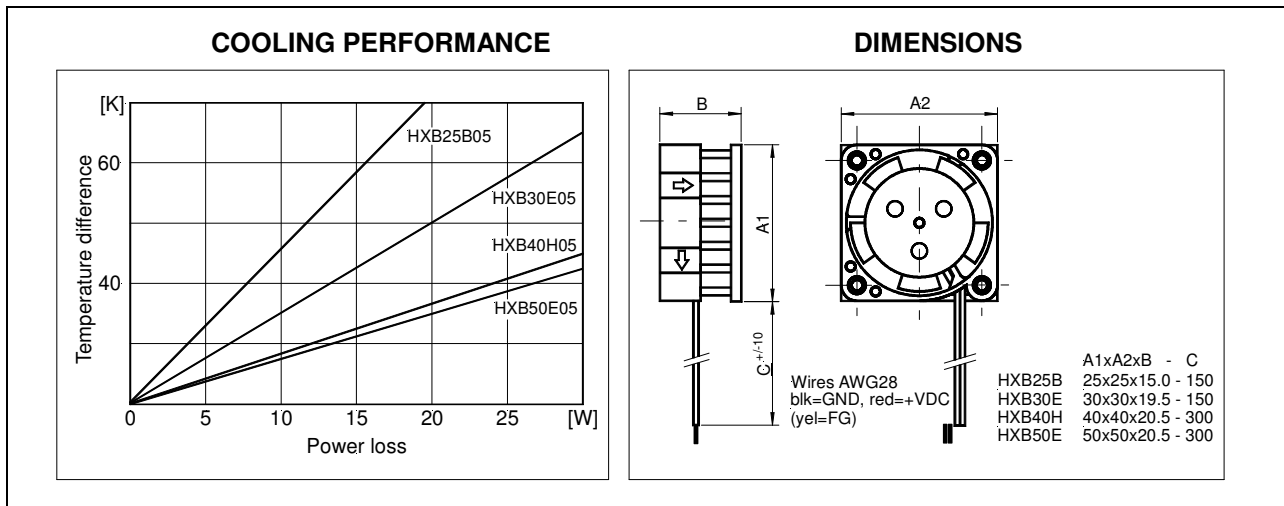
The motor is electronically commutated. A special IC controls the motor winding. Exceptionally high reliability is achieved by the 100% burn-in.

- **Silent**

Optimization of flow rate and noise level by computer-supported development of the blade geometry.

- **Optional tachometer output**

A FG-output is available if required for monitoring the fan speed.



PERFORMANCE

CE	HXB25B05	HXB30E05	HXB40H05	HXB50E05
Operating Voltage [V]	4.5 - 5.5	4.5 - 5.5	4.5 - 5.5	4.5 - 5.5
Typ. Operating Current [mA]	40	100	90	50
Max. Start Current [mA]	120	140	250	150
Thermal Resistance [K/W]	3.8	2.5	1.5	1.5
Typ. Noise @ 1m [dB(A)]	19	24	24	21
Operating Temperature [°C]	-10... +80			
Typ. Rotor Speed [min ⁻¹]	10000	8600	5800	3500
FG Output [Imp/R]	on request			
Life Expect. ₁₀ /MTBF/40°C [h]	75000 / 350000			
Bearing System	2 ball bearings ZZ			
Weight [g]	11	23	37	55
Packing Quantity [pc]	50	50	50	40