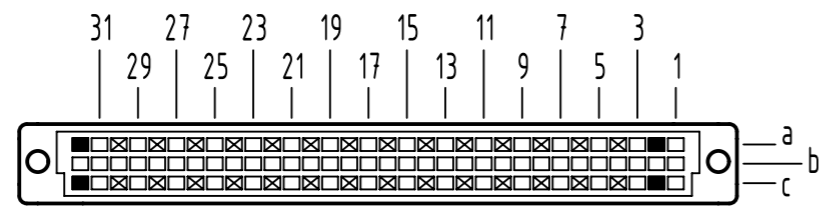


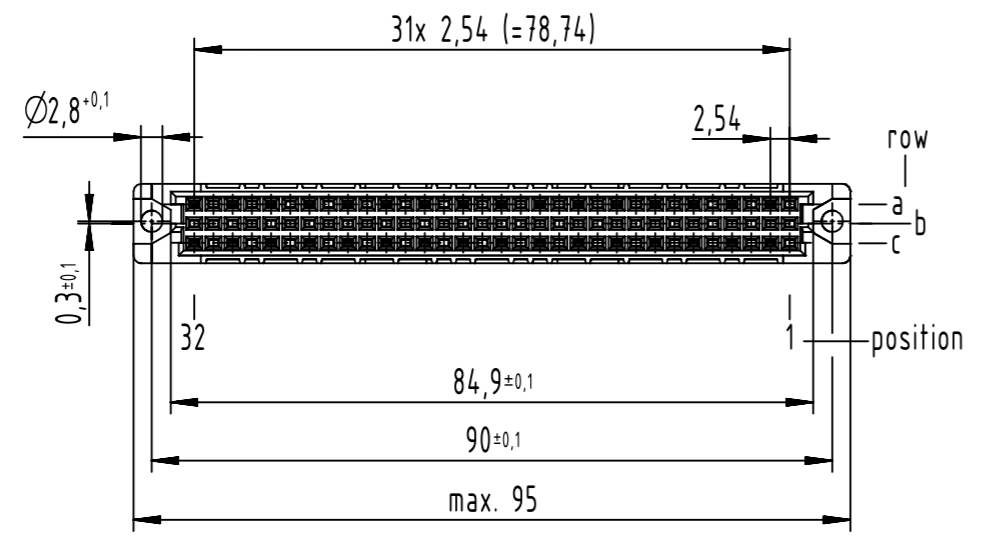
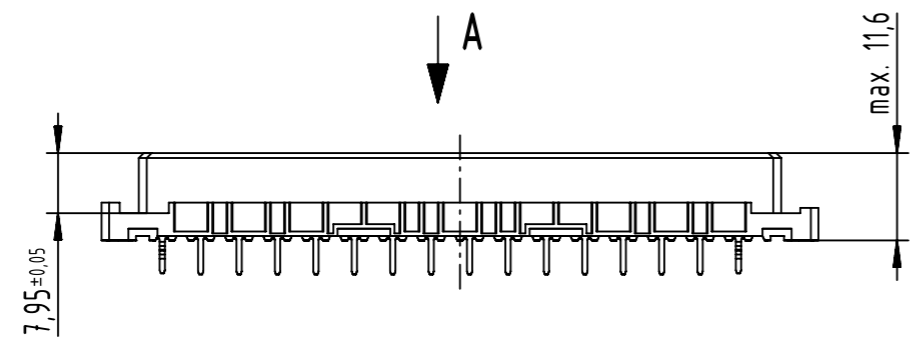
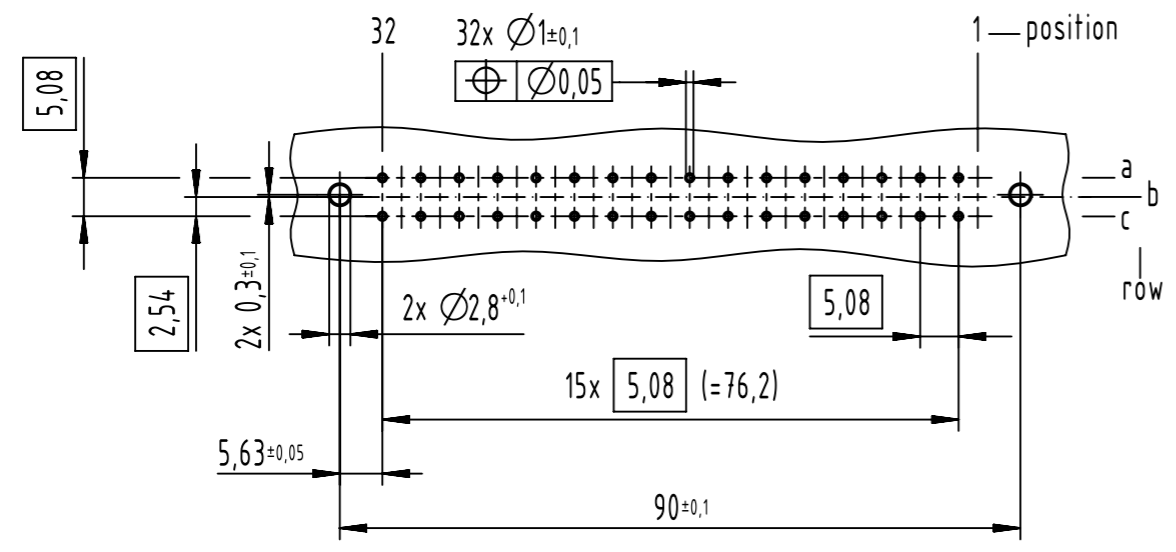
A
contact arrangement



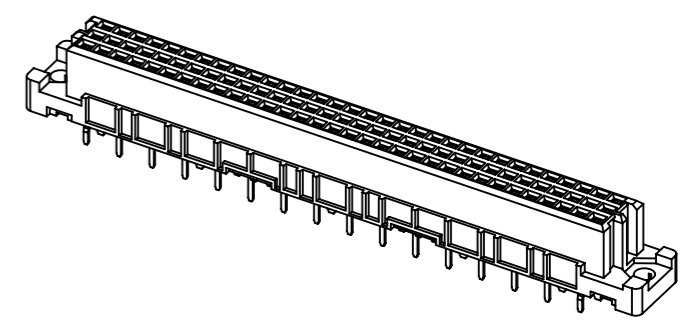
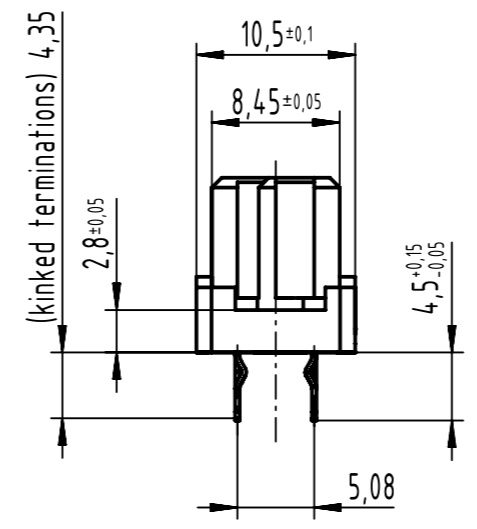
28 solder contacts
4 kinked solder contacts

- ⊗ = solder contact
- = kinked solder contact
- = position without contact

A
board drillings



B (2:1)



09 03 232 6845	2
09 03 232 2845	1
part no.	performance level

further information see product data sheet

	All rights reserved	Created by STORCK	Inspected by LEHNERT	Standardisation 302077	Date 2021-03-23	State Final Release
	Department EL PD	Title DIN Signal type C female kinked solder 4.5 32-pole			Doc-Key / ECM-Nr. 100173852/UGD/035/C 500000191082	
HARTING D-32339 Espelkamp	Type TB	Number 0903232X845			Rev. C	Page 1/1