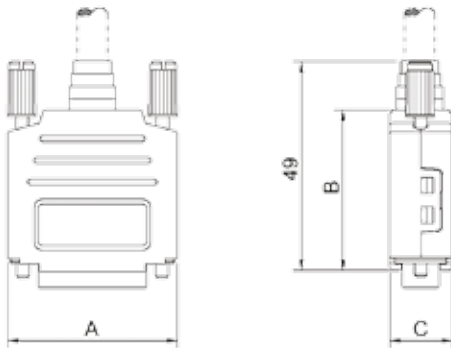


TECHNICAL SPECIFICATIONS

Material:	UL 94 V-0 Plastic Material
Plating:	Nickel over Copper
Operating Temperature:	-55°C to +110°C
Cable Entry:	Top Entry
Thumbscrews:	UNC 4-40 (Standard) M2,5 or M3 on request
Cable O.D:	Up to 11,5mm
Accessories:	See page 186-190
Assembly Instruction:	See page 194



Size	Dim A	Dim B	Dim C
9-way	32,5	38,0	15,0
15-way	41,0	38,0	15,0
25-way	54,5	40,0	15,0
37-way	71,0	40,0	15,0

Features:

- Available in sizes 9, 15, 25 and 37-way
- Suitable for any common Sub-D Connector
- Quick-Snap locking system
- Re-openable
- Company logo available upon request
- Recyclable

Ordering information:

Size:	P/N - Kitted:	Product Code:
9-way	6260-0105-01	MHDPPK-M-09-K
15-way	6260-0105-02	MHDPPK-M-15-K
25-way	6260-0105-03	MHDPPK-M-25-K
37-way	6260-0105-04	MHDPPK-M-37-K

Size:	P/N - BULK:	Product Code:
9-way	6261-0105-01	MHDPPK-M-09
15-way	6261-0105-02	MHDPPK-M-15
25-way	6261-0105-03	MHDPPK-M-25
37-way	6261-0105-04	MHDPPK-M-37