

# 2U Raspberry Pi 4B enclosure with fan vent

## Product overview

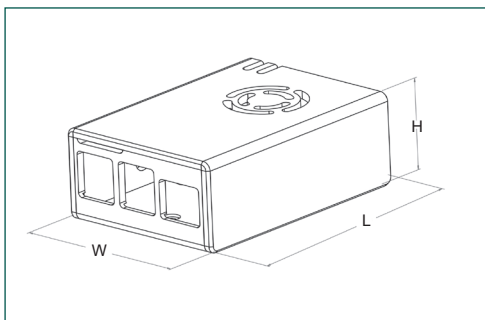
Clip together 2-U-Shell enclosure for the Raspberry Pi 4B. Manufactured using robust 3mm textured UL94-HB HIPS.

- Pi 4B PCB fits into grooves (no screws)
- Venting on top of case
- GPIO ribbon cable slot on the underside
- CSI slot for camera cable
- Rear slots for SD card and LEDs
- Supplied with push fit rubber feet
- Fan fixing holes can be easily knocked out using screws
- Recommended for use with a 30mm fan
- In house testing of the PCU to operating temperature of 44°C, when used in conjunction with a fan
- Compatible with Pi HAT POE
- Also available in high temperature ABS (subject to MOQ)
- Transform your Raspberry Pi enclosure into a DIN Rail mountable solution with our CDR-Bracket (not included).

CBRPI4B-2U



Raspberry Pi 4 PCB not included



PART NO.	COLOUR	MATERIAL TYPE	MATERIAL TEMPERATURE	UL RATING	MATERIAL THICKNESS	DIMENSIONS
CBRPI4B-2U-BK	Black	High impact polystyrene	Rated for use up to 70°C	HB	3mm	L 89.3mm x W 62.4mm x H 34mm
CBRPI4B-2U-WH	White	High impact polystyrene	Rated for use up to 70°C	HB	3mm	L 89.3mm x W 62.4mm x H 34mm
CBRPI4B-2U-DG	Dark grey	High impact polystyrene	Rated for use up to 70°C	HB	3mm	L 89.3mm x W 62.4mm x H 34mm

## KEY FEATURES

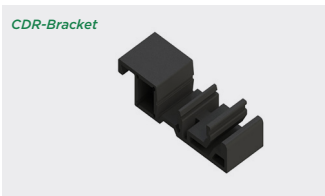
Clip-together design | Raspberry Pi 4B clips in without screws  
Vents in the top for heat dissipation



## ACCESSORIES

DIN Rail mount bracket

- Screws included



PART NO.	DESCRIPTION
CDR-Bracket	DIN Rail mount bracket