

PLEASE CHECK WWW.MOLEX.COM FOR LATEST PART INFORMATION

Part Number: [0565790519](#)
Status: **Active**
Overview: USB Products and Solutions
Description: Mini USB, AB-Receptacle, Right-Angle, Through Hole Solder Tails and Shell Tabs, Lead-Free

Documents:

[3D Model](#) [Packaging Specification SPK-56579-001-001 \(PDF\)](#)
[Drawing \(PDF\)](#) [RoHS Certificate of Compliance \(PDF\)](#)
[Product Specification PS-56579-015-001 \(PDF\)](#)

General

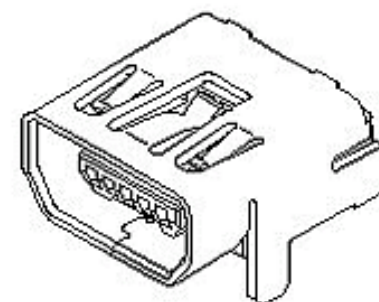
Product Family	I/O Connectors
Series	56579
Application	Wire-to-Board
Component Type	Receptacle
Overview	USB Products and Solutions
Product Name	USB 2.0, USB OTG (On-The-Go)
Type	Mini-AB (OTG)
UPC	822348297177

Physical

Boot Color	N/A
Circuits (Loaded)	5
Circuits (maximum)	5
Color - Resin	Gray
Gender	Female
Lock to Mating Part	Yes
Material - Metal	High Performance Alloy (HPA), Phosphor Bronze
Material - Plating Mating	Gold
Material - Plating Termination	Tin
Material - Resin	High Temperature Thermoplastic
Net Weight	584.300/mg
Number of Rows	1
Orientation	Right Angle
PC Tail Length	1.80mm
PCB Locator	Yes
PCB Retention	Yes
PCB Thickness - Recommended	0.80mm
Packaging Type	Tray
Panel Mount	No
Pitch - Mating Interface	0.80mm
Pitch - Termination Interface	0.80mm
Plating min - Mating	0.762µm
Plating min - Termination	1.016µm
Polarized to Mating Part	Yes
Polarized to PCB	Yes
Ports	1
Surface Mount Compatible (SMC)	No
Temperature Range - Operating	-20° to +85°C
Termination Interface: Style	Through Hole
Waterproof / Dustproof	No
Wire Size AWG	N/A

Electrical

Current - Maximum per Contact	1.0A
Shield Type	Full Shield



Series image - Reference only

EU ELV

Not Relevant

EU RoHS

Compliant

REACH SVHC

Not Contained Per
-ED/88/2018 (15
January 2019)

Halogen-Free

Status

Not Low-Halogen

For more information, please visit [Contact US](#)

China ROHS

ELV

RoHS Phthalates

China RoHS

Green Image

Not Relevant

Not Contained

Search Parts in this Series

[56579 Series](#)

Mates With

[592053301](#) , [592049405](#)

Shielded
Voltage - Maximum

Yes
30V AC (RMS)/DC

Material Info

Reference - Drawing Numbers

Packaging Specification
Product Specification
Sales Drawing

SPK-56579-001-001
PS-56579-015-001
SD-56579-014

This document was generated on 07/23/2019

PLEASE CHECK WWW.MOLEX.COM FOR LATEST PART INFORMATION