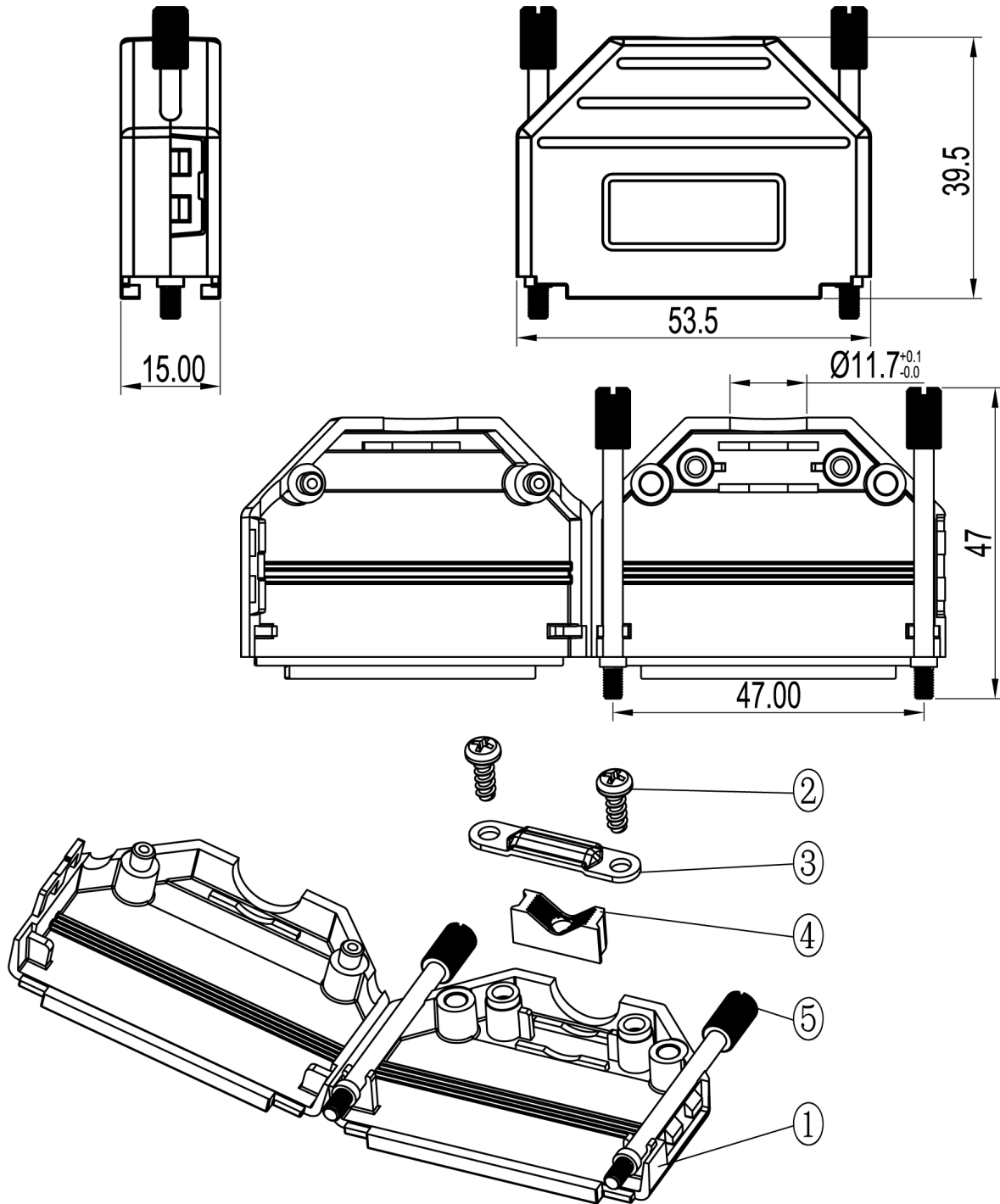


| | | | | | | | |
|-----|-------------------------|------|------|----|-------------------------|------|------|
| No. | Changes and/or Note No. | Date | Intr | No | Changes and/or Note No. | Date | Intr |
|-----|-------------------------|------|------|----|-------------------------|------|------|



| Part Number: | Description: | Pack: | Item | QTY | Part description |
|--------------|--------------|-------|------|-----|----------------------------|
| 6353-0103-03 | DPPK25-R-K | Kit | 1 | 1 | DPPK-25 Cover |
| 6354-0103-03 | DPPK25-R | Bulk | 2 | 2 | EPS 3X8 Self Tapping Screw |
| | | | 3 | 1 | Cable Clamp |
| | | | 4 | 1 | Plastic Insert |
| | | | 5 | 2 | UNC 4-40X47 Jackscrew |

| | | | | |
|---------------------|------------------|--------|----------------|---|
| DATE: 2012-02-03 | DRAWN: YGY | SCALE: | MATERIAL TYPE: | GENERAL TOLERANCES UNLESS OTHERWISE STATED LINEAR 0 ±0.20 0.0 ±0.15 0.00 ±0.10 ANGULAR ±0°30' ALL DIMENSIONS IN mm THIRD ANGLE PROJECTION |
| AUDITING: | APPROVED: MRR | | REPLACES: | |

| | | |
|--|-------------------------|--|
| | DPPK-SLIM-SERIES | |
| | | |