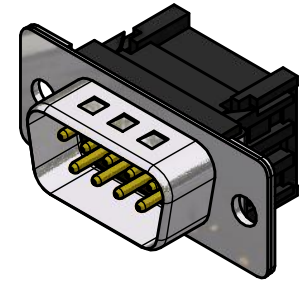
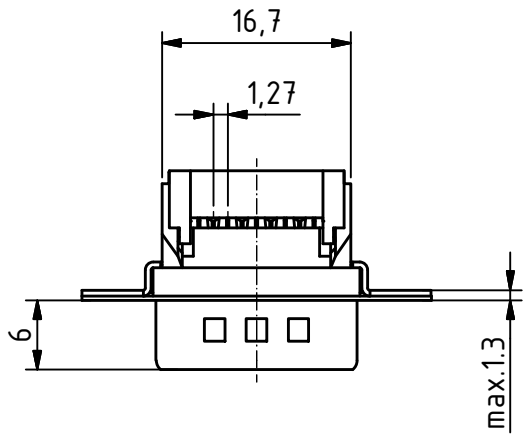
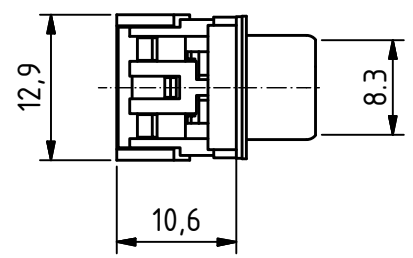
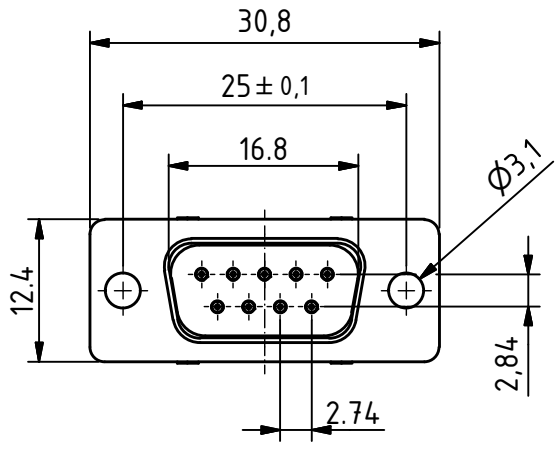


RoHS compliant



suitable for cable AWG 28-26

**MATERIALS**

- Insulator: Thermoplastic UL 94-V-0 black
- Contact: Machined / Copper alloy
- Contact finish: Quality class 2
- Shell: Steel tin plated

**CHARAKTERISTICS**

- Working voltage: 500V for 1 minute
- Current rating: 3A
- Contact resistance: max. 20mΩ
- Insulation resistance: 1000MΩ min.
- Temperature range: -55° to +105°C

|                                       |            |           |          |         |         |
|---------------------------------------|------------|-----------|----------|---------|---------|
| General tolerances (Deltron standard) | size in mm | > 30      | > 6      | > 3     | > 0.5   |
|                                       |            | up to 120 | up to 30 | up to 6 | up to 3 |
|                                       | tolerances | ±0.3      | ±0.2     | ±0.2    | ±0.1    |

|              |                      |      |      |                                                                                                  |          |             |     |
|--------------|----------------------|------|------|--------------------------------------------------------------------------------------------------|----------|-------------|-----|
|              | All dimensions in mm | Rev. | Rev. | Rev.                                                                                             | DE017691 |             |     |
|              |                      | Rev. | Rev. | Rev.                                                                                             | part no. |             |     |
| DTS09PFC/2-A |                      |      |      | 1.5:1<br>scale                                                                                   | drawn    | 29.03.2019  | rop |
|              |                      |      |      |                                                                                                  | checked  |             |     |
|              |                      |      |      |                                                                                                  | approved |             |     |
|              |                      |      |      | Industrie Neuhof 8c<br>CH-3422 Kirchberg<br><a href="http://www.d-sub.swiss">www.d-sub.swiss</a> |          | K063479     |     |
|              |                      |      |      |                                                                                                  |          | drawing no. |     |