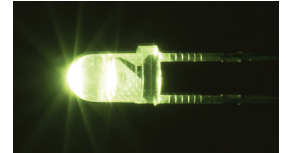


Features:

- High luminosity LEDs
- 5mm Round standard directivity
- Long lifetime operation
- Superior weather-resistance
- Water clear type



Applications

- Backlighting (switches, keys, displays, illuminated advertising etc.)
- Substitution of micro incandescent lamps
- Reading lamps/emergency lighting
- Market lights (e.g. steps, exit ways, etc.)
- Other lighting

Absolute maximum rating (Ta=25°C)

Item	Symbol	Value	Unit
DC Forward current	I_F	30	mA
Pulse forward current*	I_{FP}	100	mA
Reverse voltage	V_R	5	V
Power dissipation	P_D	108	mW
Operating temperature	T_{opr}	-30 to +85	°C
Storage temperature	T_{stg}	-40 to +100	°C
Lead soldering temperature	T_{sol}	260°C/5 sec	-

* Pulse width max. 10ms. Duty ratio max. 1/10

Electrical - Optical characteristics (Ta=25°C)

Item	Symbol	Condition	Min.	Typ.	Max.	Unit
DC Forward voltage ⁴	V_F	$I_F=20mA$	2.9	3.1	3.6	V
DC Reverse current	I_R	$V_R=5V$	-	-	10	μA
Luminous intensity ³	I_V	$I_F=20mA$	10000	12000	-	mcd
Luminous flux ²	Φ_V	$I_F=20mA$	6.5	7.0	-	lm
Chromaticity coordinates ¹	x	$I_F=20mA$	-	0.35	-	
	y	$I_F=20mA$	-	0.50	-	
50% Power angle	$2\theta_{1/2}$	$I_F=20mA$	-	30	-	deg

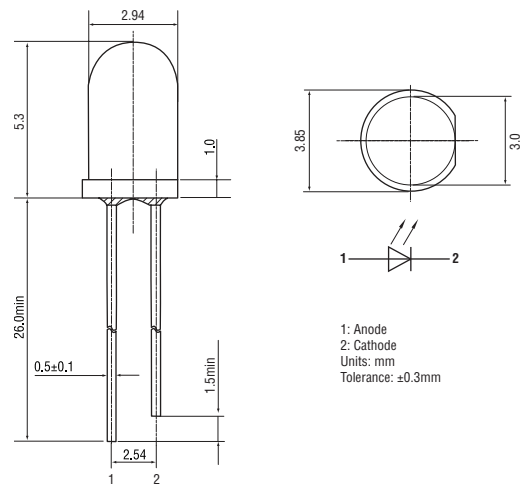
*1 Tolerance of measurements of chromaticity coordinate is $\pm 10\%$

*2 Tolerance of measurements of luminous flux is $\pm 15\%$

*3 Tolerance of measurements of luminous intensity is $\pm 15\%$

*4 Tolerance of measurements of forward voltage is $\pm 0.1V$

Outline dimensions:



Directivity:

