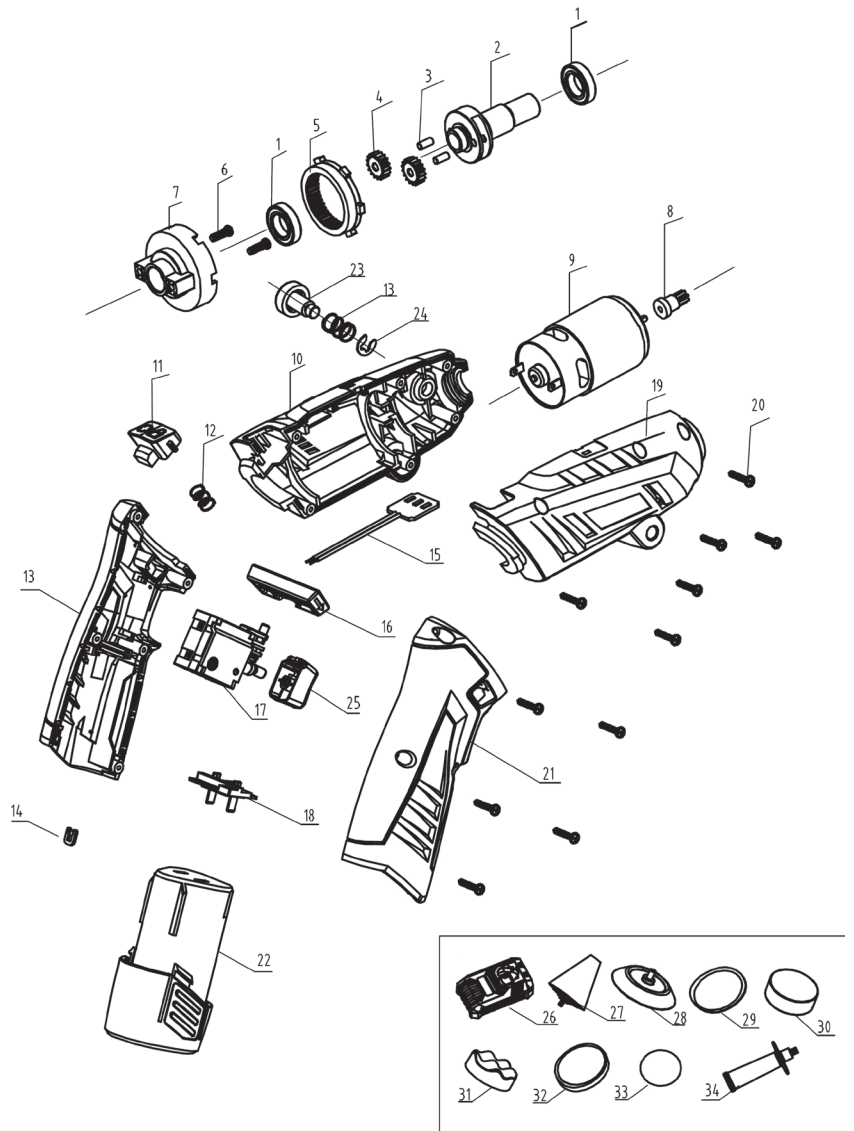


Item	Part No.	Description
1	CP2812V.01	BALL BEARING
2	CP2812V.02	WORK SPINDLE
3	CP2812V.03	PIN
4	CP2812V.04	GEAR
5	CP2812V.05	INNER GEAR RING
6	CP2812V.06	SCREW
7	CP2812V.07	INNER GEAR RING HOLDER
8	CP2812V.08	MOTOR PINION
9	CP2812V.09	MOTOR
10	CP2812V.10	LEFT HOUSING
11	CP2812V.11	HANDLE ROTATION BUTTON
12	CP2812V.12	SPRING
13	CP2812V.13	LEFT HANDLE
14	CP2812V.14	U-BRACKET
15	CP2812V.15	BATTERY DISPLAY BOARD
16	CP2812V.16	SWITCH PROTECTION
17	CP2812V.17	SWITCH
18	CP2812V.18	BATTERY CONNECTOR
19	CP2812V.19	RIGHT HOUSING
20	CP2812V.20	SCREW
21	CP2812V.21	RIGHT HANDLE
22	CP2812VBP	POWER TOOL BATTERY 10.8V
23	CP2812V.23	SELF-LOCK SHAFT
24	CP2812V.24	SPLIT WASHER
25	CP2812V.25	SWITCH BUTTON
26	CP2812V.C	CHARGER
27	PTCCHC850	BUFFING & POLISHING FOAM CONE ORANGE/FIRM
28	PTC75VA	HOOK & LOOP BACKING PAD Ø71mm 1/4"UNC
29	PTCPM75	POLISHING MOP 75mm
30	PTCCHV79W	BUFFING & POLISHING FOAM HEAD HOOK & LOOP Ø80 X 25mm WHITE/DENSE
31	PTCCHV79B	BUFFING & POLISHING FOAM HEAD HOOK & LOOP Ø80 x 25mm BLACK/FIRM
32	PTCMC75	MICROFIBRE CLOTH Ø75mm
33	PTCSD7510	SANDING DISC Ø75mm 80GRIT Pack of 10
34	CP2812V.34	SIDE HANDLE



NOTE: It is our policy to continually improve products and as such we reserve the right to alter data, specifications and component parts without prior notice.

IMPORTANT: No liability is accepted for incorrect use of product.

WARRANTY: Guarantee is 12 months from purchase date, proof of which will be required for any claim.