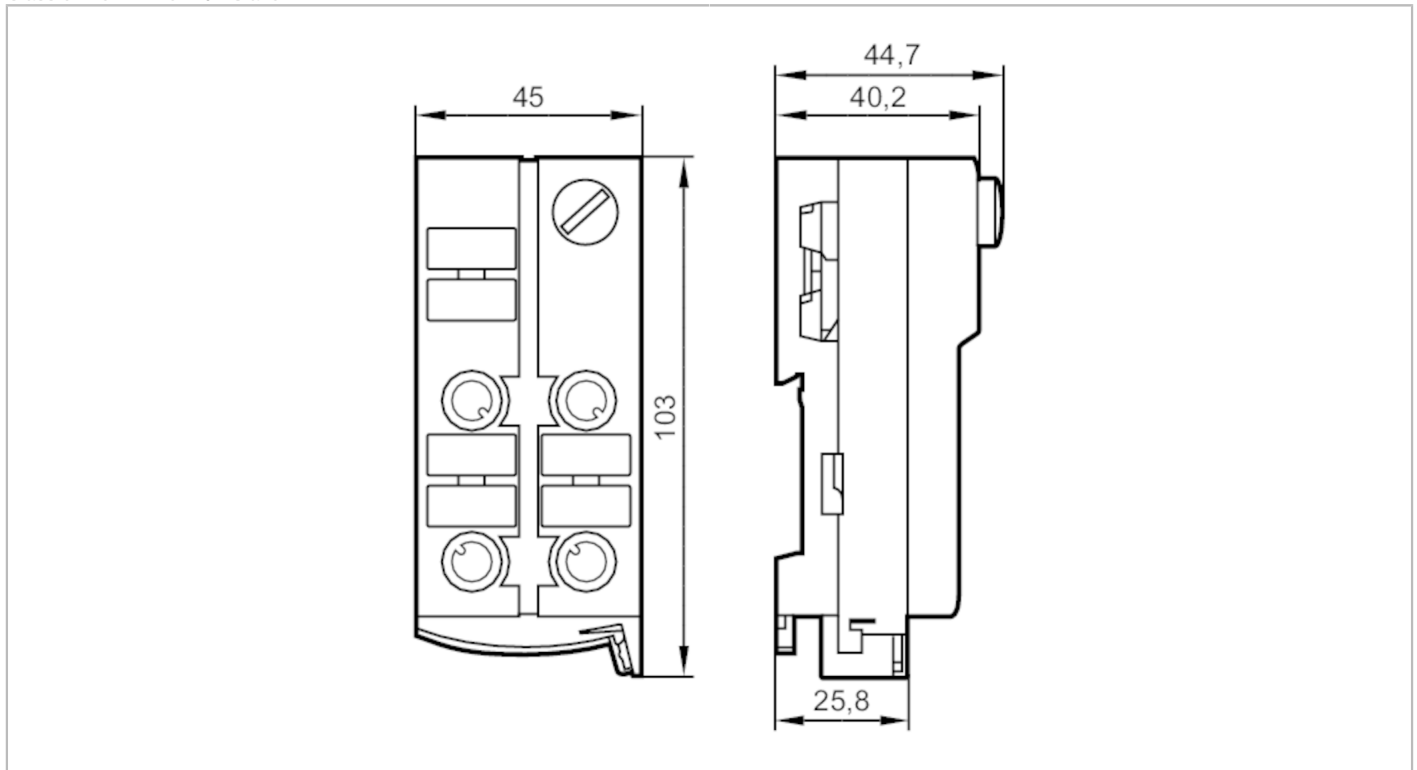


AC5294



AS-Interface ClassicLine module with quick mounting technology

ClassicLine 4DI IP67 A/B-Slave



Electrical data	
Operating voltage	[V] 26.5...31.6 DC; ("supply class 2" to cULus)
Max. current consumption from AS-i	[mA] 250
Inputs / outputs	
Number of inputs and outputs	Number of digital inputs: 4
Inputs	
Number of digital inputs	4
Input circuit of digital inputs	PNP
Sensor supply of the inputs	AS-i
Voltage supply	[V] 18...30; (via flat cable)
Max. total current rating of inputs	[mA] 200
Input current High	[mA] 6...10
Input current Low	[mA] 0...2
Min. switching level high signal	[V] 11
Digital inputs protected against short circuits	yes
Operating conditions	
Ambient temperature	[°C] -25...70
Protection	IP 67



AS-Interface ClassicLine module with quick mounting technology

ClassicLine 4DI IP67 A/B-Slave

Tests / approvals

EMC	EN 50295	
	IEC 61000-6-2	

AS-i classification

AS-i version	2.11 + 3.0				
AS-i addressing	addressing socket				
Extended addressing mode possible	yes				
AS-i profile	S-0.A.E				
AS-i I/O configuration [hex]	0				
AS-i ID code [hex]	A.E				
AS-i certificate pending	yes				
Assignment of the data bits	data bit	D0	D1	D2	D3
	input	1	2	3	4
	socket	I-1	I-2	I-3	I-4
	pin	2+4	2+4	2+4	2+4

Mechanical data

Weight [g]	184.5
Type of mounting	AS-i flat cables directly connectable
Materials	PA; piercing contacts: CuSn6 nickel-plated and tin-plated

Displays / operating elements

Display	operation	LED, green
	errors	LED, red
	function	LED, yellow

Accessories

Accessories (supplied)	lower part
Accessories (optional)	Addressing cable, E70213
	Protective cap: M12, E73004

Remarks

Remarks	Do not connect any of the following points to an external potential: I-, I+, I1, I2, I3, I4
	The connections are electrically connected with the AS-i cable.
Pack quantity	1 pcs.

Electrical connection

quick mounting technology for AS-i flat cable: ; three orientations possible

	socket M12
1	Sensor supply I+
2+4	data input internally bridged
3	Sensor supply I-
5	not used

Connector: M12

AC5294



AS-Interface ClassicLine module with quick mounting technology

ClassicLine 4DI IP67 A/B-Slave

