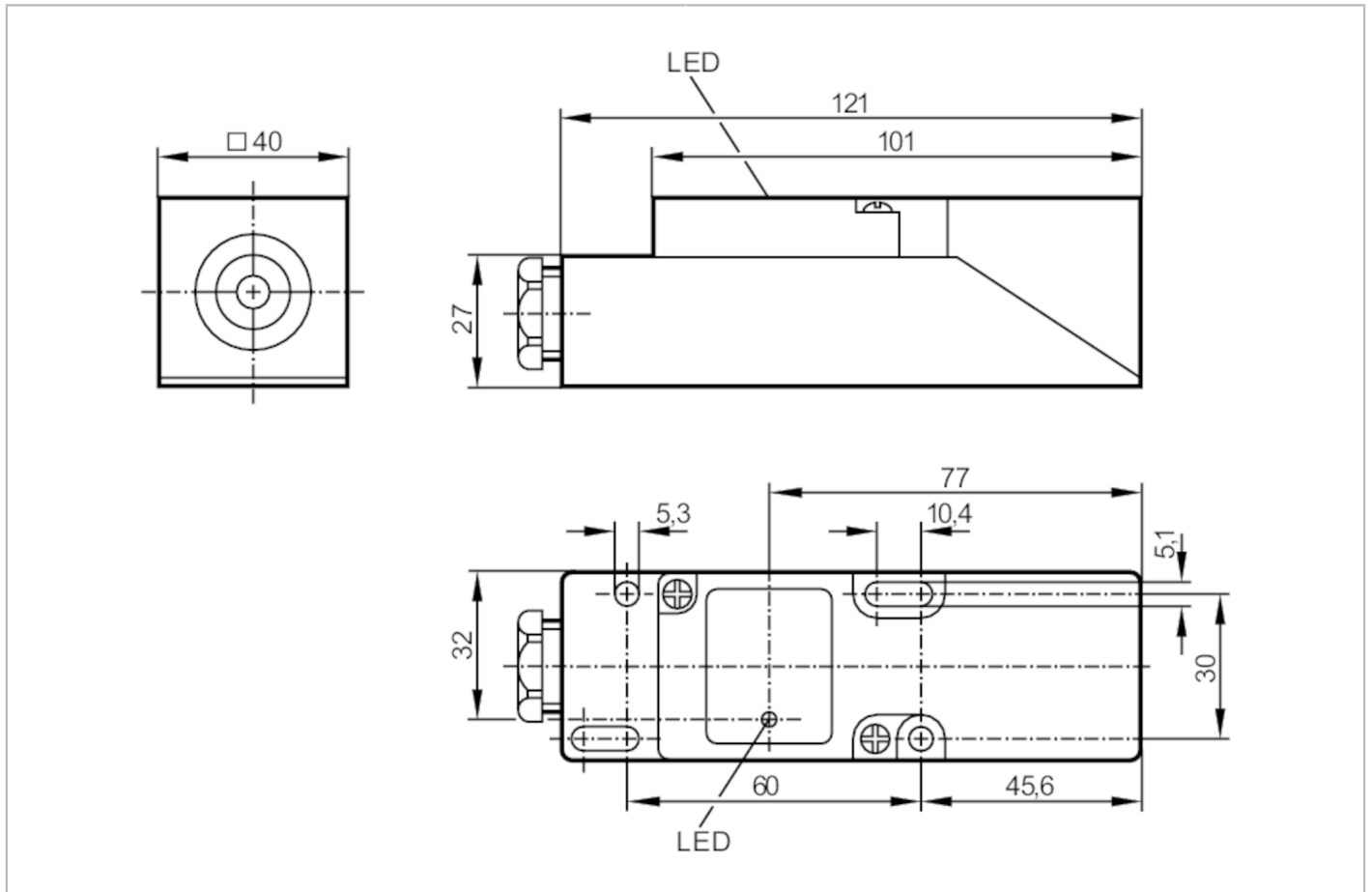


# IM0010



## Inductive sensor

IME2020-FBOA



Product characteristics	
Output function	normally open / normally closed; (selectable)
Sensing range [mm]	20
Housing	rectangular
Dimensions [mm]	40 x 40 x 120
Electrical data	
Operating voltage [V]	20...250 AC/DC
Protection class	II
Reverse polarity protection	no

# IM0010



## Inductive sensor

IME2020-FBOA

Outputs		
Output function		normally open / normally closed; (selectable)
Max. voltage drop switching output DC [V]		6
Max. voltage drop switching output AC [V]		6.5
Minimum load current [mA]		5
Max. leakage current [mA]		2.5 (250 V AC) / 1.3 (110 V AC) / 0.8 (24 V DC)
Permanent current rating of switching output AC [mA]		250; (350 (...50 °C))
Permanent current rating of switching output DC [mA]		100
Short-time current rating of switching output [mA]		2200; (20 ms / 0,5 Hz)
Switching frequency AC [Hz]		20
Switching frequency DC [Hz]		55
Short-circuit proof		no
Overload protection		no
Detection zone		
Sensing range [mm]		20
Real sensing range Sr [mm]		20 ± 10 %
Operating distance [mm]		0...16.2
Accuracy / deviations		
Correction factor		steel: 1 / stainless steel: 0.7 / brass: 0.4 / aluminium: 0.3 / copper: 0.2
Hysteresis [% of Sr]		1...15
Switch point drift [% of Sr]		-10...10
Operating conditions		
Ambient temperature [°C]		-25...80
Protection		IP 65
Tests / approvals		
EMC		EN 60947-5-2
		EN 55011 class B
MTTF [years]		604
UL approval		Ta 0...40 °C
		Enclosure type Type 1
		voltage supply Hazardous voltage
		File number UL E174191
Mechanical data		
Weight [g]		184.5
Housing		rectangular
Mounting		non-flush mountable
Dimensions [mm]		40 x 40 x 120
Materials		PPE
Displays / operating elements		
Display	switching status	1 x LED, yellow

# IM0010



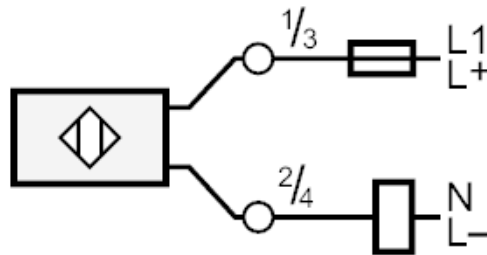
## Inductive sensor

IME2020-FBOA

Electrical connection	
Required protection	miniature fuse to IEC60127-2 sheet 1; $\leq 2$ A; fast acting
Remarks	
Remarks	Recommendation: Check the safe functioning of the unit after a short circuit. 5 positions of the active zone possible
Pack quantity	1 pcs.

Electrical connection
terminals: ...2.5 mm <sup>2</sup> ; Cable sheath: $\varnothing$ 7...13 mm; Cable gland: M20 X 1.5

### Connection



Note miniature fuse to IEC60127-2 sheet 1  $\leq 2$  A fast acting