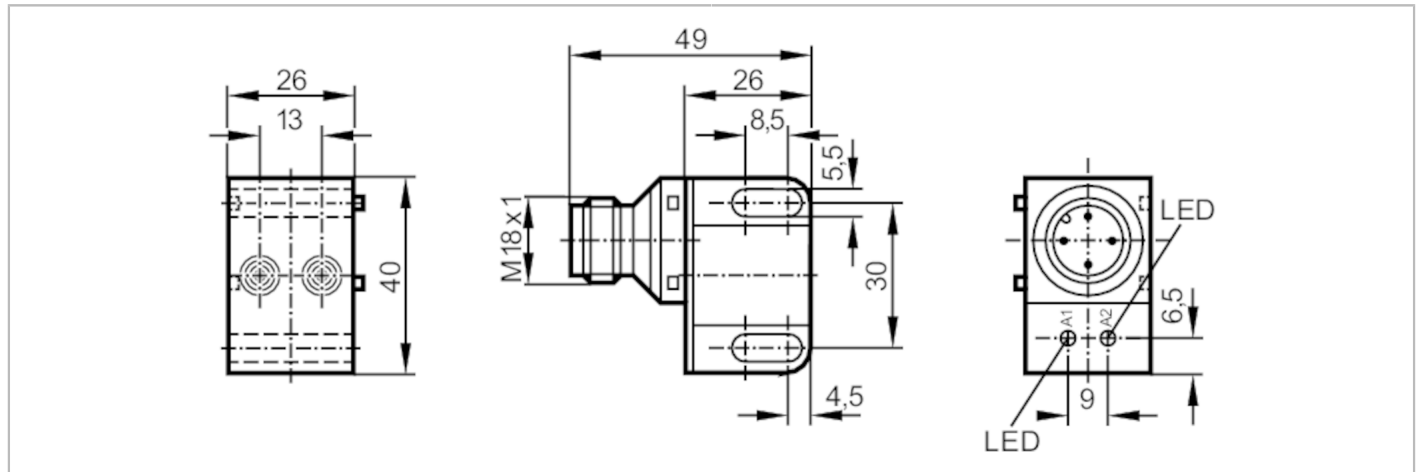


IN5285



Inductive dual sensor for valve actuators

IND3004DBPKG/BS-200-K




Product characteristics		
Electrical design		PNP
Output function		2 x normally open
Sensing range	[mm]	4
Housing		rectangular
Dimensions	[mm]	40 x 26 x 26
Electrical data		
Operating voltage	[V]	10...36 DC
Current consumption	[mA]	15; (24 V)
Protection class		II
Reverse polarity protection		yes
Outputs		
Electrical design		PNP
Output function		2 x normally open
Max. voltage drop switching output DC	[V]	2.5
Permanent current rating of switching output DC	[mA]	250
Switching frequency DC	[Hz]	1300
Short-circuit protection		yes
Type of short-circuit protection		pulsed
Overload protection		yes
Detection zone		
Sensing range	[mm]	4
Real sensing range Sr	[mm]	4 ± 10 %
Operating distance	[mm]	0...3.25

IN5285



Inductive dual sensor for valve actuators

IND3004DBPKG/BS-200-K

Accuracy / deviations		
Correction factor	steel: 1 / stainless steel: 0.7 / brass: 0.4 / aluminium: 0.3 / copper: 0.2	
Hysteresis [% of Sr]	1...15	
Switch point drift [% of Sr]	-10...10	
Operating conditions		
Ambient temperature [°C]	-20...80	
Protection	IP 67	
Tests / approvals		
EMC	EN 60947-5-2	
	EN 55011	class B
MTTF [years]	1064	
UL approval	Ta	0...40 °C
	Enclosure type	Type 1
	voltage supply	Hazardous voltage
	File number UL	E174191
Mechanical data		
Weight [g]	53.5	
Housing	rectangular	
Mounting	non-flush mountable	
Dimensions [mm]	40 x 26 x 26	
Materials	PBT; PC	
Displays / operating elements		
Display	switching status	2 x LED, yellow
Remarks		
Pack quantity	1 pcs.	
Electrical connection - plug		
Connector: 1 x M18		
		

IN5285



Inductive dual sensor for valve actuators

IND3004DBPKG/BS-200-K

Connection

