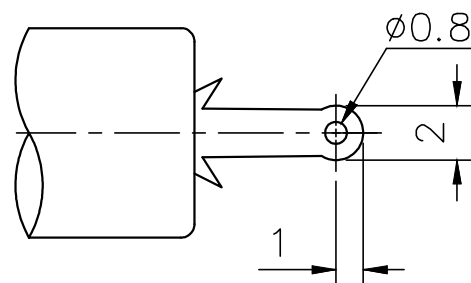
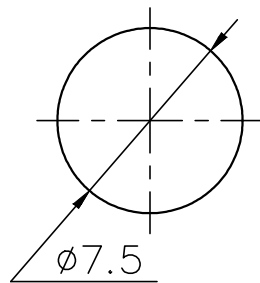
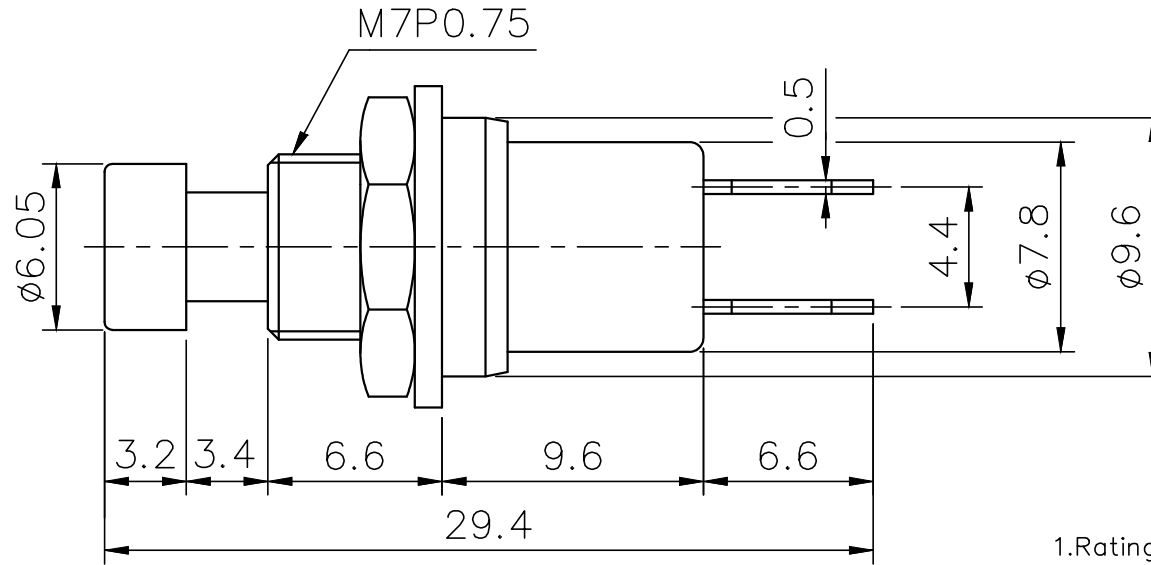


CUSTOMER MCM FILE NO. 26-040

THIS DRAWING AND SPECIFICATIONS, HEREIN ARE THE CONFIDENTIAL PROPERTY OF SAMAR AND SHALL NOT BE REPRODUCED OR COPIED OR DISCLOSED IN WHOLE OR IN PART WITHOUT WRITTEN PERMISSION.

REV.	DESCRIPTION	DRAWN / DATE	APPROVED / DATE
0	INITIAL RELEASE	FROS 08/28/2013	FROS 08/28/2013



Panel Thickness :
2.5mm Max.

SPECIFICATION

- 1. Rating : AC 125V 1A Max.
- 2. Contact R. : 20mΩ Max.
- 3. Insulation R. : DC 500V 100MΩ Min.
- 4. Dielectric Strength : AC 1500V 1 minute.
- 5. Operation Force : 300~500g
- 6. Operating Temperature : -40℃ ~ +65℃
- 7. Electrical Life : 30,000 make-and-break cycles at full load.
- 8. Mechanical Life : 70,000 make-and-break cycles

DIMENSIONS ARE IN mm [INCH]	TOLERANCES ARE FRACTIONS DECIMALS ANGLES	MATERIAL		P/N	26-040	DRAWN	FROS	DATE	08/28/2013	
MOLD NO.	.x ± 0.20 [0.008] .xx ± 0.12 [0.005]	FINISH		PROJECT NO.						
26-040		COLOR		SCALE	N/A	SIZE	A4	SHEET	1 OF 1	MY018

SUBMINI PUSH BUTTON SWITCH