

2.4GHz LoRa Transceiver

Features

- Long Range 2.4GHz RF Module
- Integrated LoRa™ Transceiver **Semtech SX1280**
- Highly Efficient Integral Impedance Matching Network
- Provides Full Functionality of the RFIC:
- High sensitivity: down to -132 dBm
- RF Data Rate: FSK upto 2.02Mbps
- Transmit power +12.5 dBm at 24mA
- Supply Voltage 1.8—3.7V
- Rx Receive Current as low as 4.8mA
- Small Form Factor: 23mm x 20mm
- LoRa®, FLRC, (G)FSK supported modulations
- Low energy consumption, On-chip DC-DC
- Programmable bit rate
- Excellent blocking immunity
- BLE PHY layer compatibility
- Ranging Engine, Time-of-flight function
- CE Compliant & “Modular” FCC Certification Pending



Applications

- RF Alarms
- Sensor networks
- Meter Reading
- Environmental Sensors
- Building Control & Automation
- Agricultural Applications

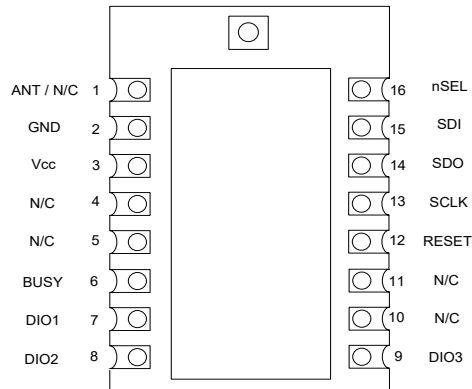
Description

The LAMBDA80 RF module is an extremely high performance, cost effective radio module featuring the Semtech SX1280 LoRa™ long range providing ultra-long range, spread spectrum communication and high interference immunity within minimal current consumption operating at the only world wide acceptable 2.4GHz band.

This module including crystal, impedance matching network and track layout provide a simple digital interface and direct antenna connection. This enables a plug in RF solution with maximum efficiency. Programming of the module is via SPI interface.

The LAMBDA80 Module is CE compliant. Providing that certain procedures are followed.

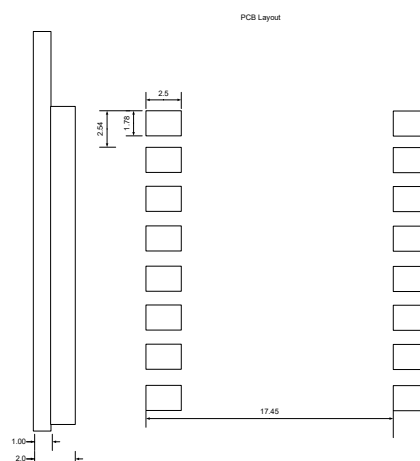
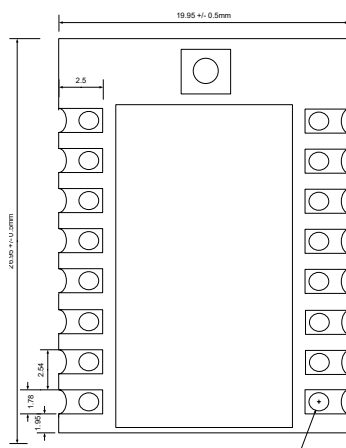
Pin Description



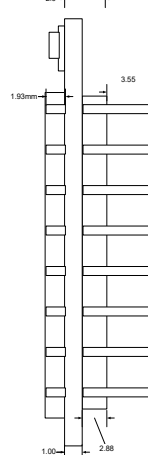
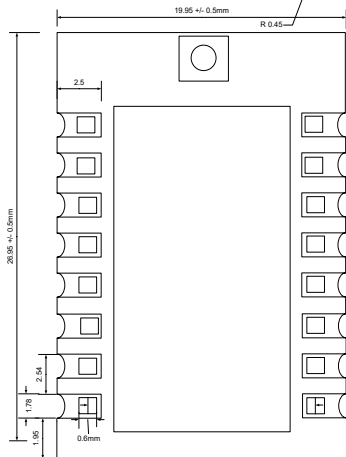
Mechanical Dimensions

Suggested Layout

SMT Version



DIP Version



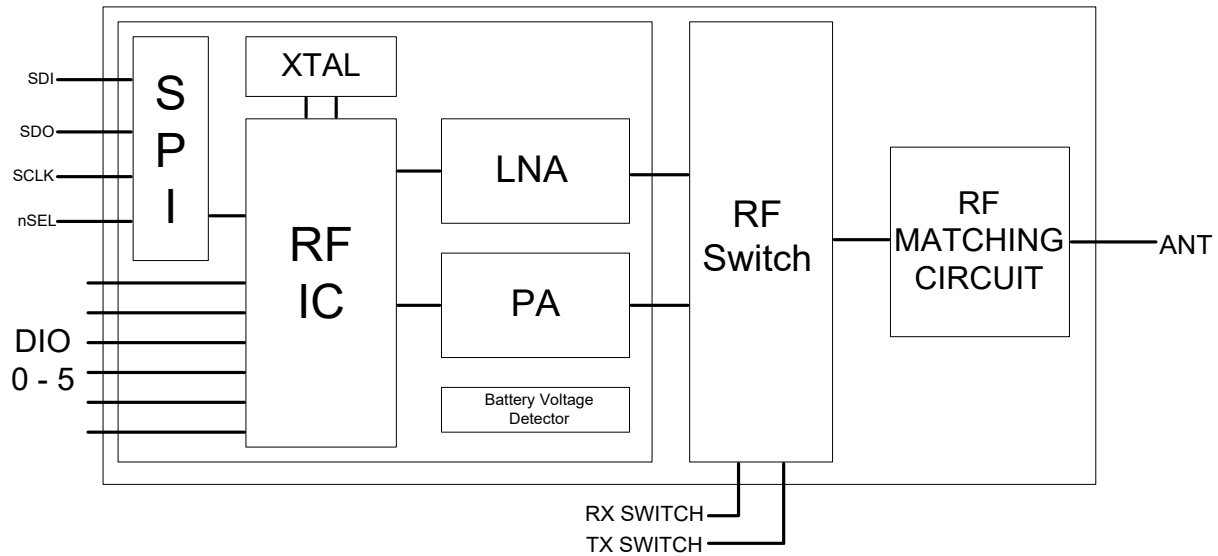
Part Numbers

Part Number	Description	Package
LAMBDA80-24S	Transceiver Module, Open Module	SMT
LAMBDA80-24D	Transceiver Module, Open Module	DIP
LAMBDA80C-24S	Transceiver Module, Module with Screen Can	SMT
LAMBDA80C-24D	Transceiver Module, with Screen Can	DIP

Pin Description

Pin	Definition	Direction	Function
1	Antenna	In/Out	"C" Version with Screen can: No Connect Version without Screen can: Antenna connection
2	GND	-	Ground connection
3	Vcc	In	Power connection
4	N/C	-	No Connect
5	N/C	-	No Connect
6	Busy	Out	When active the Module is Busy processing data. Wait until low before accessing module
7	DIO1	In/Out	Digital I/O software configured
8	DIO2	In/Out	Digital I/O software configured
9	DIO3	In/Out	Digital I/O Software configured
10	N/C	-	No Connect
11	N/C	-	No Connect
12	RESET	In	Reset Trigger Input
13	Serial Clock	In	SPI Serial Clock Input
14	Serial Data Out	Out	SPI Serial Data Output
15	Serial Data In	In	SPI Serial Data Input
16	nSEL	In	Device Select Active Low

Block Diagram



Application Resources

The LAMBDA80 is a ready to use application of the Semtech SX1280.

Access to the programming and configuration of Semtech 1280 Transceiver are via the modules interface SPI line.

The LAMBDA80 has been developed with Semtech to provide a low cost platform application of the 1280 transceiver. This offers optimal design realisation and easy integration within the end application. The most important aspect of any RF Module is to maximise the performance of the transceiver at the external module pads.

In particular the impedance matching network which is the most sensitive section of the RF module design.

In order to maximise signal propagation to the external pad of the module, a specific layout is required which is not (usually) the smallest physical size (beware of small RF modules!).

Many RF Module manufacturers simply reproduce the IC manufacturers data characteristics where in practice the Module RF performance is considerably lower.

We have measured the conducted power transmitted from the LAMBDA80 ufl connector at +12.4dBm, which demonstrates the efficiency of the LAMBDA80 module.

To ensure that the latest details in programming this device are offered, we have not included the 1280's programming information in this document.

You can find the datasheet at the link below:

https://www.rfsolutions.co.uk/downloads/1537522490DS_SX1280-1_V2.2_SEMTECH.pdf

Programming, configuration and further resource data including;

LoRa Calculator: fast evaluation of link budget, time on air and energy consumption.

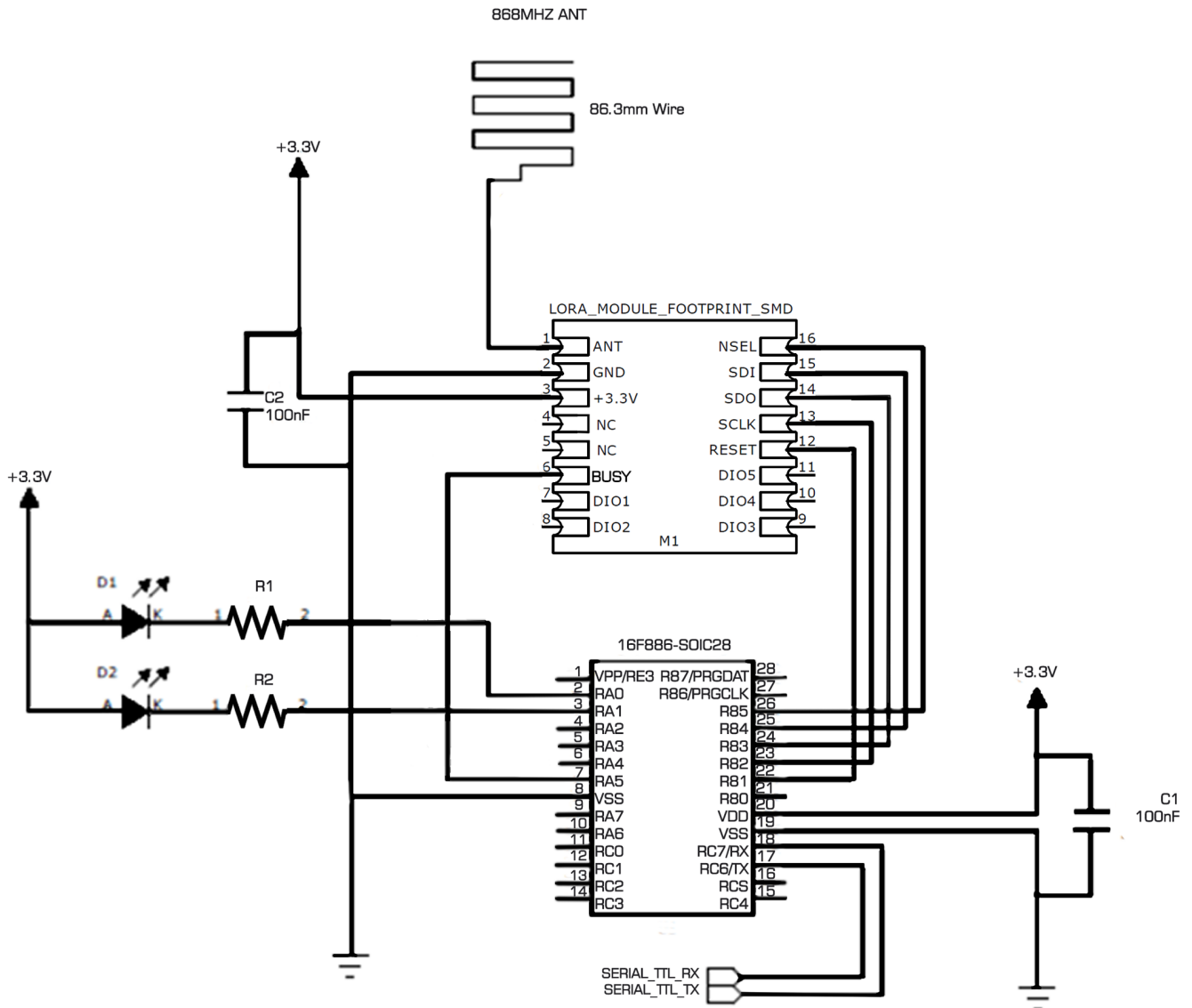
Packet Error Rate Firmware User Guide.

LoRa Modem Designer's Guide.

is available from Semtech at the below links

[Semtec Website](http://www.semtech.com)

Application schematic Interfacing a PIC™ Micro Controller



The above schematic shows an easy interface to a PIC Microcontroller

This is the same application circuit that we used for range testing (please see our range test information later in the document).

We also have application source code available for download on our website. This configures the RF LoRa Module for maximum range.

Walk Test application

Also available is the source code used to carry out a simple range test.

In order to use this two application boards are required, one acts as a beacon transmitter, the other as the beacon receiver. The TX board will illuminate the GREEN LED when transmitting and the Receiver will illuminate the RED LED when RECEIVING

The Transmitter board transmits an RF beacon every second (Green LED flashes to indicate transmission).

This enables a one man range test, by placing either board in a fixed location and monitoring the beacon signals.

Electrical Specifications

Absolute Maximums

Symbol	Parameter	Minimum	Maximum	Unit
V_{dd}	Positive power supply	-0.5	+3.9	V
V_{in}	Voltage on Digital Inputs	-0.3	$V_{dd}+0.3$	V
RX	Max Rx input power		+10	dBm
T_{st}	Storage temperature	-55	115	°C

Recommended Operating Conditions

Symbol	Parameter	Minimum	Maximum	Unit
V_{dd}	Positive power supply	1.8	3.7	V
T_{op}	Working temperature	-40	85	°C

General Electrical Specifications

Symbol	Description	Min	Typ	Max	Unit
IDDSTDBYRNC	Supply Current in STDBY_RC Mode		700		uA
IDDSTDBYXOSC	Supply Current in STDBY_XOSC Mode		1		mA
IDDFS	Supply Current in FS Mode		2.8		mA
FR	Synthesizer Frequency Range	2400		2500	MHz
FSTEP	Synthesizer Frequency Step (52MHz Ref)		198		Hz
PHN	Phase Noise at 2.45GHz 1MHz Offset 10MHz Offset		-115 -135		dBc/ Hz
FXOSC	Crystal Oscillator Frequency		52		MHz
TS_FS	Freq Synt wakeup time (XOSC Enabled)		54		uS
TS_HOP	Freq Synth Hop Time within 10KHz of target Freq 1MHz 10MHz 100MHz		20 30 50		uS
TX_OS	XTAL Osc wakeup time from STDBY_RC		40		uS

Receiver Specifications

Symbol	Description	Typ	Max	Unit
IP3	3rd Order Input intercept for max Low Power Gain Setting In Band Interferer <6MHz In Band Interferer @ 6MHz In Band Interferer @ 10MHz In Band Interferer @ 20MHz		-25 -12 0 0	dBm
IMR	Image Rejection (CW Tone 1% PER)		30	dB

Transmitter Electrical Specifications

Symbol	Description	Min	Typ	Max	Unit
IDD_T13	12.5dBm		24		mA
IDD_T10	10dBm		18		mA
IDD_T0	0dBm		10		mA
RFOPMIN	Min RF Output power		-18		dBm
RFOPMAX	Max RF Output power		12.5		dBm
FDA	Programmable FSK Frequency Deviation	62.5		1000	KHz

LAMBDA80 Device Marking

The LAMBDA80 module is available in two versions.

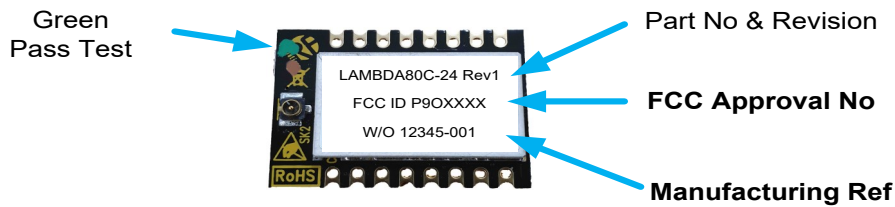
LAMBDA module is CE Compliant and at the time of writing is being submitted for modular FCC part 15 certification

Note:

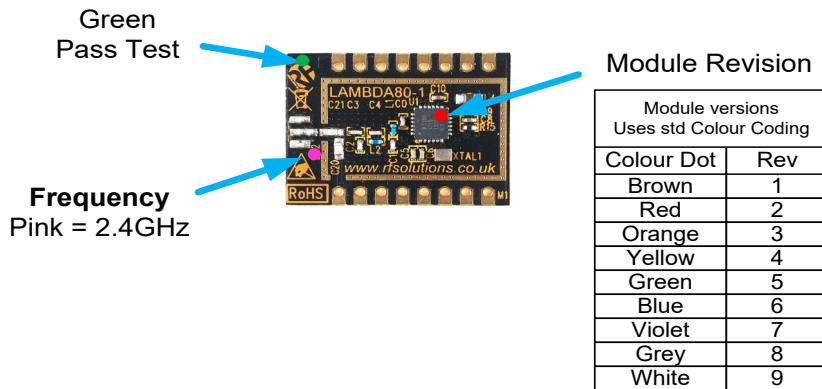
915MHz include a screening can shield and ufl antenna connector, (requirement for FCC modular approval)

868MHz versions antenna connection is via pin 1 of the module

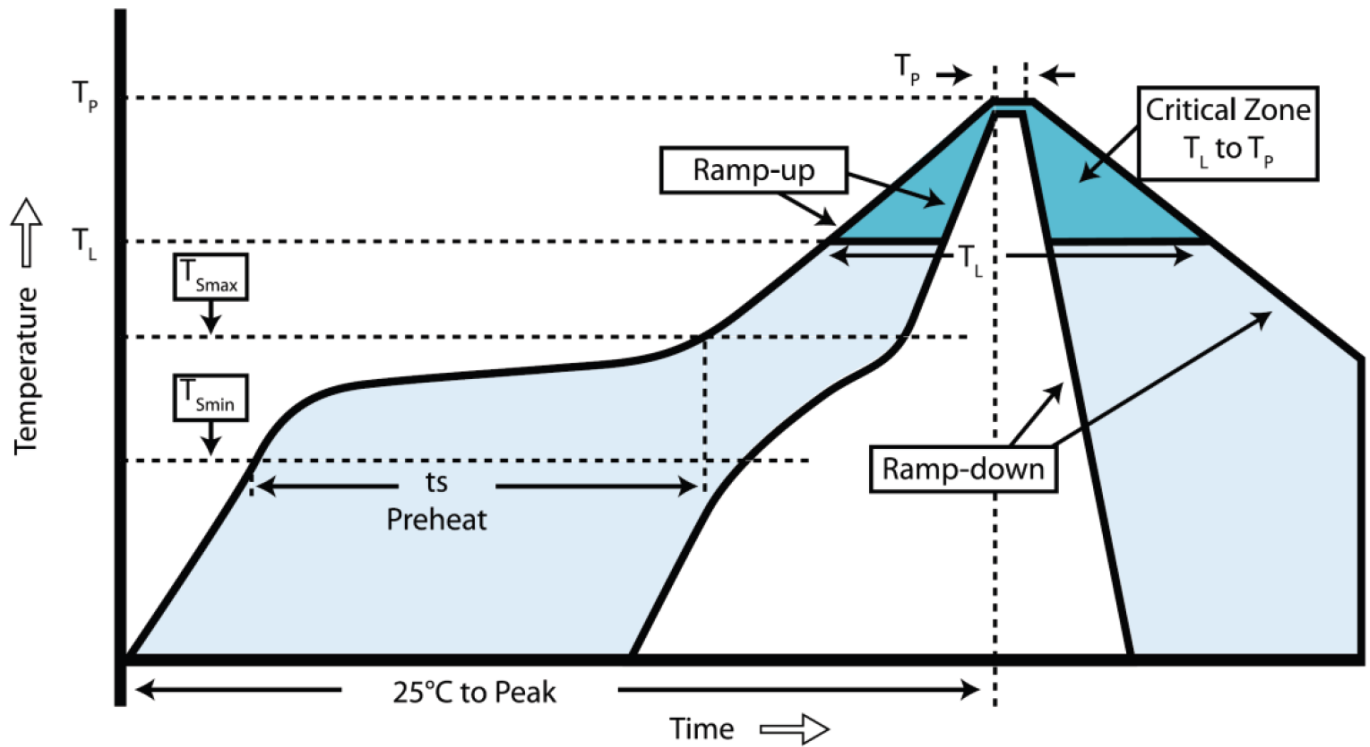
Module with Screen Can Fitted



Open Module Version



Module re-flow guide



Profile feature	Value (lead free)
Ramp up rate	3°C /s
Pre-heat Temperature	
- Temperature Min (T_{Smin})	150°C
- Temperature Max (T_{Smax})	200°C
- Pre-heat time	60-100s
Peak Temperature (T_P)	240°C
Time at T_P	10-20sec
Ramp down rate	6°C/s
Time from 25°C to peak	8 mins max.

Simplified Declaration of Conformity (RED)

- BG** - С настоящото RF Solutions Limited декларира, че този тип радиосъоръжение е дефинирано в този документ е в съответствие с Директива 2014/53/ЕС. Цялостният текст на ЕС декларацията за съответствие може да се намери на следния интернет адрес: www.rfsolutions.co.uk
- CS** - Tímto RF Solutions Limited prohlašuje, že typ rádiového zařízení definované v tomto dokumentu je v souladu se směrnicí 2014/53/EU. Úplné znění EU prohlášení o shodě je k dispozici na této internetové adrese: www.rfsolutions.co.uk
- DA** - Hermed erklærer RF Solutions Limited, at radioudstyrstypen defineret i dette dokument er i overensstemmelse med direktiv 2014/53/EU. EU-overensstemmelseserklæringens fulde tekst kan findes på følgende internetadresse: www.rfsolutions.co.uk
- DE** - Hiermit erklährt RF Solutions Limited, dass der Funkanlagentyp in diesem Dokument definiert der Richtlinie 2014/53/EU entspricht. Der vollständige Text der EU-Konformitätserklärung ist unter der folgenden Internetadresse verfügbar: www.rfsolutions.co.uk
- EL** - Με την παρούσα ο/η RF Solutions Limited, δηλώνει ότι ο ραδιοεξοπλισμός ορίζεται σε αυτό το έγγραφο πληροί την οδηγία 2014/53/ΕΕ. Το πλήρες κείμενο της δήλωσης συμμόρφωσης ΕΕ διατίθεται στην ακόλουθη ιστοσελίδα στο διαδίκτυο: www.rfsolutions.co.uk
- EN** - Hereby, RF Solutions Limited declares that the radio equipment type defined within this document is in compliance with Directive 2014/53/EU. The full text of the EU declaration of conformity is available at the following internet address: www.rfsolutions.co.uk
- ES** - Por la presente, RF Solutions Limited declara que el tipo de equipo radioeléctrico definido dentro de este documento es conforme con la Directiva 2014/53/UE. El texto completo de la declaración UE de conformidad está disponible en la dirección Internet siguiente: www.rfsolutions.co.uk
- ET** - Käesolevaga deklareerib RF Solutions Limited, et käesolev raadioseadme tüüp määratletud selles dokumendis vastab direktiivi 2014/53/EL nõuetele. ELi vastavusdeklaratsiooni täielik tekst on kättesaadav järgmisel internetiaadressil: www.rfsolutions.co.uk
- FI** - RF Solutions Limited vakuuttaa, että radiolaitetyypin määrättyä selles dokumentissa on direktiivin 2014/53/EU mukainen. EU-vaatimustenmukaisuusvakuutuksen täysimittainen teksti on saatavilla seuraavassa internetosoitteessa: www.rfsolutions.co.uk
- FR** - Le soussigné, RF Solutions Limited, déclare que l'équipement radioélectrique du type défini dans ce document est conforme à la directive 2014/53/UE. Le texte complet de la déclaration UE de conformité est disponible à l'adresse internet suivante: www.rfsolutions.co.uk
- HR** - RF Solutions Limited ovime izjavljuje da je radijska oprema tipa definirani u ovom dokumentu u skladu s Direktivom 2014/53/EU. Cjeloviti tekst EU izjave o skladnosti dostupan je na sljedećoj internetskoj adresi: www.rfsolutions.co.uk
- HU** - RF Solutions Limited igazolja, hogy a dokumentumban meghatározottak szerint típusú rádióberendezés megfelel a 2014/53/EU irányelvnek. Az EU-megfelelőségi nyilatkozat teljes szövege elérhető a következő internetes címen: www.rfsolutions.co.uk
- IT** - Il fabbricante, RF Solutions Limited, dichiara che il tipo di apparecchiatura radio definito all'interno di questo documento è conforme alla direttiva 2014/53/UE. Il testo completo della dichiarazione di conformità UE è disponibile al seguente indirizzo Internet: www.rfsolutions.co.uk
- LT** - Aš, RF Solutions Limited, patvirtinu, kad radijo įrenginių tipas apibrėžta šiame dokumente atitinka Direktyvą 2014/53/ES. Visas ES atitiktis deklaracijos tekstas prieinamas šiuo interneto adresu: www.rfsolutions.co.uk
- LV** - Ar šo RF Solutions Limited deklarē, ka radioiekārtas kas definētas šajā dokumentā atbilst Direktīvai 2014/53/ES. Pilns ES atbilstības deklarācijas teksts ir pieejams šādā interneta vietnē: www.rfsolutions.co.uk
- MT** - B'dan, RF Solutions Limited, niddikjara li dan it-tip ta' tagħmir tar-radju definit f'dan id-dokument huwa konformi mad-Direttiva 2014/53/UE. It-test kollu tad-dikjarazzjoni ta' konformità tal-UE huwa disponibbli f'dan l-indirizz tal-Internet li ġej: www.rfsolutions.co.uk
- NL** - Hierbij verklaar ik, RF Solutions Limited, dat het type radioapparatuur gedefinieerd in dit document conform is met Richtlijn 2014/53/EU. De volledige tekst van de EU-conformiteitsverklaring kan worden geraadpleegd op het volgende internetadres: www.rfsolutions.co.uk
- PL** - RF Solutions Limited niniejszym oświadcza, że typ urządzenia radiowego zdefiniowane w tym dokumencie jest zgodny z dyrektywą 2014/53/UE. Pełny tekst deklaracji zgodności UE jest dostępny pod następującym adresem internetowym: www.rfsolutions.co.uk
- PT** - O(a) abaixo assinado(a) RF Solutions Limited declara que o presente tipo de equipamento de rádio definido neste documento está em conformidade com a Diretiva 2014/53/UE. O texto integral da declaração de conformidade está disponível no seguinte endereço de Internet: www.rfsolutions.co.uk
- RO** - Prin prezenta, RF Solutions Limited declară că tipul de echipamente radio definit în acest document este în conformitate cu Directiva 2014/53/UE. Textul integral al declarației UE de conformitate este disponibil la următoarea adresă internet: www.rfsolutions.co.uk
- SK** - RF Solutions Limited týmto vyhlasuje, že rádiové zariadenie typu definované v tomto dokumente je v súlade so smernicou 2014/53/EÚ. Úplné EÚ vyhlásenie o zhode je k dispozícii na tejto internetovej adrese: www.rfsolutions.co.uk
- SL** - RF Solutions Limited potrjuje, da je tip radijske opreme opredeljeno v tem dokumentu skladen z Direktivo 2014/53/EU. Celotno besedilo izjave EU o skladnosti je na voljo na naslednjem spletnem naslovu: www.rfsolutions.co.uk
- SV** - Härmed försäkrar RF Solutions Limited att denna typ av radioutrustning definieras i detta dokument överensstämmer med direktiv 2014/53/EU. Den fullständiga texten till EU-försäkran om överensstämmelse finns på följande webbadress: www.rfsolutions.co.uk

RF Solutions Ltd. Recycling Notice

Meets the following EC Directives:

DO NOT

Discard with normal waste, please recycle.

ROHS Directive 2011/65/EU and amendment 2015/863/EU

Specifies certain limits for hazardous substances.



WEEE Directive 2012/19/EU

Waste electrical & electronic equipment. This product must be disposed of through a licensed WEEE collection point. RF Solutions Ltd., fulfills its WEEE obligations by membership of an approved compliance scheme.

Environment Agency producer registration number: WEE/JB0104WV

Disclaimer:

Whilst the information in this document is believed to be correct at the time of issue, RF Solutions Ltd does not accept any liability whatsoever for its accuracy, adequacy or completeness. No express or implied warranty or representation is given relating to the information contained in this document. RF Solutions Ltd reserves the right to make changes and improvements to the product(s) described herein without notice. Buyers and other users should determine for themselves the suitability of any such information or products for their own particular requirements or specifications. RF Solutions Ltd shall not be liable for any loss or damage caused as a result of user's own determination of how to deploy or use RF Solutions Ltd's products. Use of RF Solutions Ltd products or components in life support and/or safety applications is not authorised except with express written approval. No licences are created, implicitly or otherwise, under any of RF Solutions Ltd's intellectual property rights. Liability for loss or damage resulting or caused by reliance on the information contained herein or from the use of the product (including liability resulting from negligence or where RF Solutions Ltd was aware of the possibility of such loss or damage arising) is excluded. This will not operate to limit or restrict RF Solutions Ltd's liability for death or personal injury resulting from its negligence.