

## Pitbull Clamps

23290.0062



### Product Description

Pitbull® clamps for low mounting height with a high clamping force and down hold effect. The O-ring serves to lift the clamp off when releasing.

### Material

#### Body

- Steel, hardened

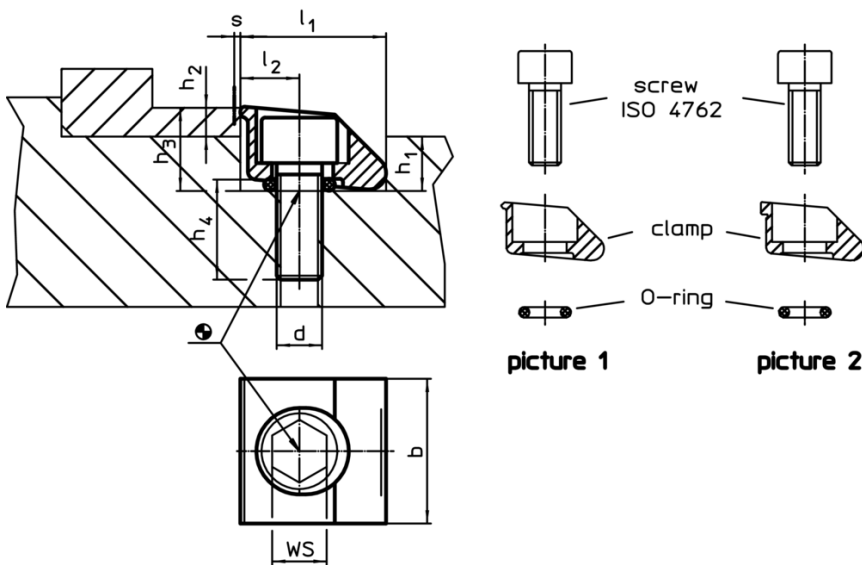
#### Screw

- Heat-treated steel, heat treated

#### O-ring

- NBR

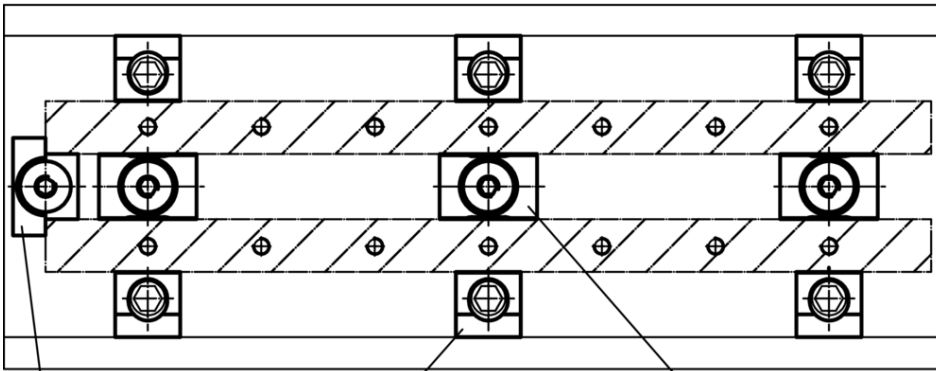
### Drawing



### Order information

d	b	Dimensions						Clamping way s	WS	Clamping force max.	Tightening torque max.	Temperature		Weight [g]	Art. No.
		l <sub>1</sub> H9	l <sub>2</sub> [mm]	h <sub>1</sub>	h <sub>2</sub> min.	h <sub>3</sub> ~	h <sub>4</sub> ~					min.	max.		
<b>blunt edged – picture 2</b>															
M4	12.7	12.7	5.1	4.8	2.6	7.4	8	0.4	3	2.6	6	-30	80	6.2	<a href="#">23290.0062</a>

### Application example



Stop  
23290.0104

Pitbull-Clamp  
e.g. 23290.0052

Clamping Claw  
e.g. 23290.0101

### Compliance

#### RoHS compliant

Compliant according to Directive 2011/65/EU and Directive 2015/863

#### Does not contain SVHC substances

No SVHC substances with more than 0.1% w/w contained - SVHC list [REACH] as of 10.06.2022

#### Does not contain Proposition 65 substances

No Proposition 65 substances included  
<https://www.P65Warnings.ca.gov/>

#### Free from Conflict Minerals

This product does not contain any substances designated as "conflict minerals" such as tantalum, tin, gold or tungsten from the Democratic Republic of Congo or adjacent countries.