

Pin Configuration:

- 1. Base
- 2. Collector
- 3. Emitter

Features:

- High performance, low frequency devices typically with current ratings 1A up to 1W power dissipation
- NPN silicon planar epitaxial transistor
- Driver stages of audio amplifier application

Absolute Maximum Ratings

Description	Symbol	BC635	Unit
Collector-Base Voltage	V_{CBO}	45	V
Collector-Emitter Voltage	V_{CEO}		
Emitter-Base Voltage	V_{EBO}	5	
Collector Current Continuous	I_C	1	A
Power Dissipation at $T_a = 25^\circ\text{C}$ Derate Above 25°C	P_D	800	mW
		6.4	mW/ $^\circ\text{C}$
Power Dissipation at $T_c = 25^\circ\text{C}$ Derate Above 25°C		2.75	W
		22	mW/ $^\circ\text{C}$
Operating and Storage Junction Temperature Range	T_j, T_{stg}	-55 to +150	$^\circ\text{C}$

Thermal Resistance

From Junction to Case	$R_{th(j-c)}$	45	$^\circ\text{C/W}$
From Junction to Ambient	$R_{th(j-a)}$	156	

Medium Power Bipolar Transistor **multicomp** PRO

Electrical Characteristics ($T_a = 25^\circ\text{C}$ unless otherwise specified)

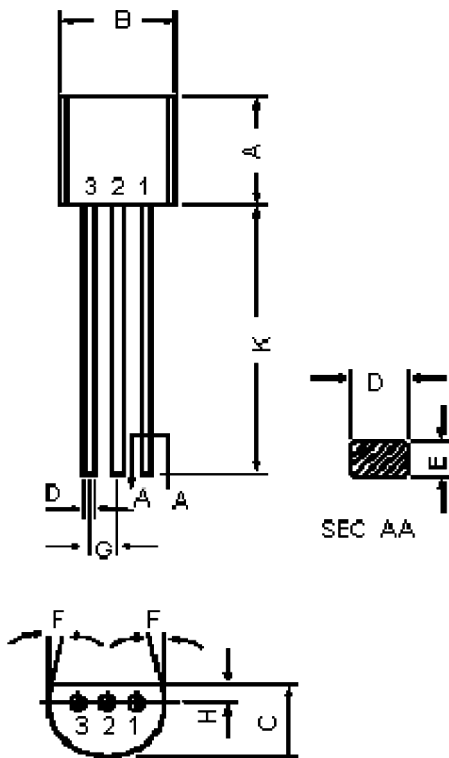
Description	Symbol	Test Condition	TBC635	Units
Collector-Emitter Voltage	V_{CEO}^*	$I_C = 10\text{mA}, I_B = 0$	>45	V
Collector-Base Voltage	V_{CBO}	$I_C = 100\mu\text{A}, I_E = 0$		
Emitter-Base Voltage	V_{EBO}	$I_E = 10\mu\text{A}, I_C = 0$		
Collector Cut off Current	I_{CBO}	$V_{CB} = 30\text{V}, I_E = 0$	<100	nA
		$T_a = 125^\circ\text{C}$ $V_{CB} = 30\text{V}, I_E = 0$	<10	μA
Base Emitter On Voltage	$V_{BE(on)}^*$	$I_C = 500\text{mA}, V_{CE} = 2\text{V}$	<1	V
Collector Emitter Saturation Voltage	$V_{CE(sat)}^*$	$I_C = 500\text{mA}, I_B = 50\text{mA}$	<0.5	
DC Current Gain	h_{FE}^*	$I_C = 5\text{mA}, V_{CE} = 2\text{V}$	>25	-
		$I_C = 150\text{mA}, V_{CE} = 2\text{V}$	40 - 250	
		Group-10	63 - 160	
		Group-16	100 - 250	
		$I_C = 500\text{mA}, V_{CE} = 2\text{V}$	>25	

Dynamic Characteristics

Transistors Frequency	f_T	$I_C = 50\text{mA}, V_{CE} = 2\text{V},$ $f = 100\text{MHz}$	200 (Typical)	MHz
Output Capacitance	C_{ob}	$V_{CB} = 10\text{V}, f = 1\text{MHz}$	7 (Typical)	pF
Input Capacitance	C_{ib}	$V_{BE} = 0.5\text{V}, I_C = 0,$ $f = 1\text{MHz}$	50 (Typical)	

*Pulse Test : Pulse Width = 300 μs , Duty Cycle = 2%.

Medium Power Bipolar Transistor



Dimensions	Min.	Max.
A	4.32	5.33
B	4.45	5.2
C	3.18	4.19
D	0.41	0.55
E	0.35	0.5
F	5°	
G	1.14	1.4
H		1.53
K	12.7	-

Dimensions : Millimetres

Pin Configuration:

1. Base
2. Collector
3. Emitter

Part Number Table

Description	Part Number
Transistor, NPN, TO-92	BC635

Important Notice : This data sheet and its contents (the "Information") belong to the members of the AVNET group of companies (the "Group") or are licensed to it. No licence is granted for the use of it other than for information purposes in connection with the products to which it relates. No licence of any intellectual property rights is granted. The Information is subject to change without notice and replaces all data sheets previously supplied. The Information supplied is believed to be accurate but the Group assumes no responsibility for its accuracy or completeness, any error in or omission from it or for any use made of it. Users of this data sheet should check for themselves the Information and the suitability of the products for their purpose and not make any assumptions based on information included or omitted. Liability for loss or damage resulting from any reliance on the Information or use of it (including liability resulting from negligence or where the Group was aware of the possibility of such loss or damage arising) is excluded. This will not operate to limit or restrict the Group's liability for death or personal injury resulting from its negligence. Multicomp Pro is the registered trademark of Premier Farnell Limited 2019.

Newark.com/multicomp-pro
 Farnell.com/multicomp-pro
 Element14.com/multicomp-pro

