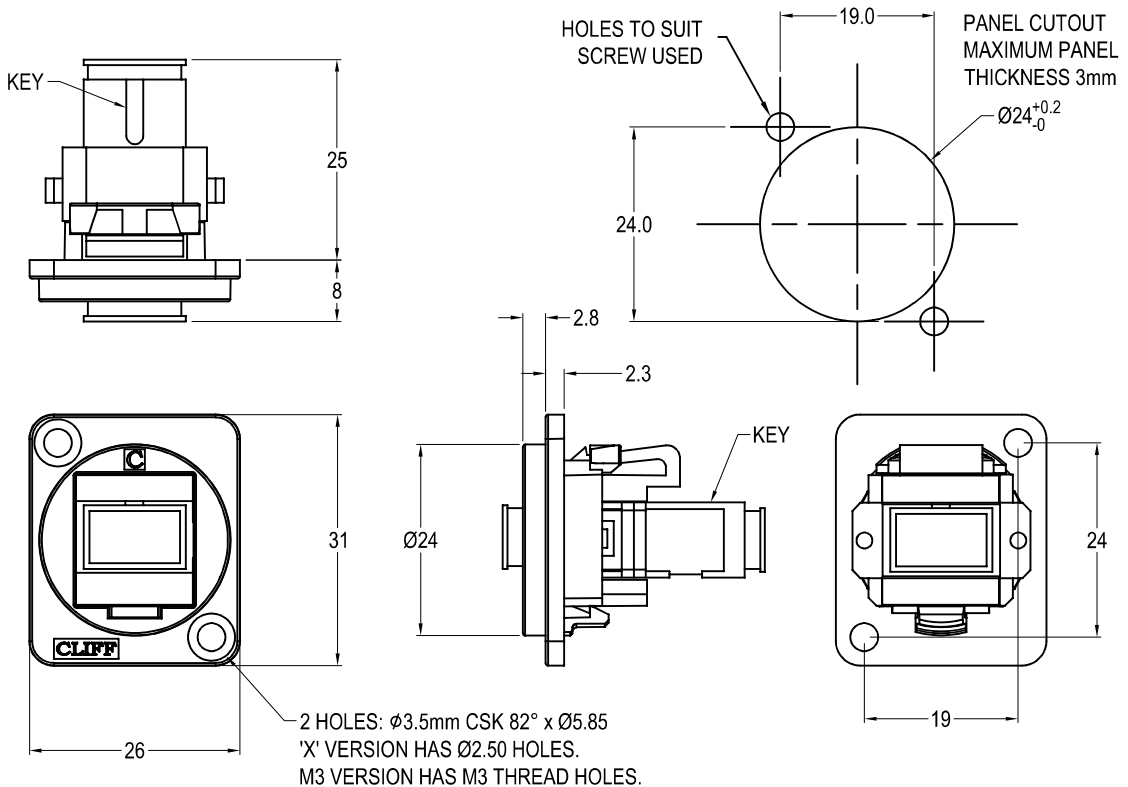




# SC SIMPLEX SM FEEDTHROUGH CONNECTOR



### Feedthrough Features

- Fits standard XLR Ø24mm cutout.
- No soldering or punch termination. Use standard cable for each connector style.
- Front or rear mounted.
- Low rear profile

### General:

Please note: Functionality is affected by cable quality, length and cable wiring configuration.

### Material:

1. Coupler Body: ABS
2. Plastic Frame: Polyamide UL94 V-2
3. Metal Frame: Diecast, Black or Nickel plated
4. Sleeve: Ceramic
5. Dust Cover: ABS
6. Insert: ABS/PC

### VARIANTS

Part No.	Description
CP30215	SC Simplex SM Black plastic frame, CSK holes
CP30215M	SC Simplex SM Nickel plated metal frame, CSK holes
CP30215M3	SC Simplex SM Nickel plated metal frame, M3 holes
CP30215MB	SC Simplex SM Black metal frame, CSK holes
CP30215M3B	SC Simplex SM Black metal frame, M3 holes
CP30215X	SC Simplex SM Black plastic frame, PLAIN holes

### Notes:

1. Insertion Loss: ≤0.3dB
2. Dust caps may vary